



DRAWING NUMBER	REV	DESCRIPTION
B-TC-KL10-R-DBU	A	KL10-R PRINT SET
E-UA-KL10-R-0	A	KL10-R PROCESSOR ASSEMBLY
K-PL-KL10-R-DBP	A	KL10-R PROCESSOR PARTS LIST
D-IC-KL10-0-1	*	POWER DIAGRAM
D-IC-KL10-0-2	*	REGULATOR ASSEMBLY
C-MU-KL10-0-RHDT	*	RH/DTE MODULE UTILIZATION
C-MU-KL10-0-CPU	A	KL10-PV MODULE UTILIZATION
E-AD-7020327-0-0	A	FRONT END CAB ASSEMBLY
K-PL-7020327-0-DBP	A	FRONT END CAB PARTS LIST
E-AD-7020325-0-0	A	I/O CAB ASSEMBLY
K-PL-7020325-0-DBP	A	I/O CAB PARTS LIST
E-AD-7020326-0-0	A	CPU CAB ASSEMBLY
K-PL-7020326-0-DBP	A	CPU CAB PARTS LIST
E-UA-H760-0-0	J	RAW POWER SUPPLY H760
K-PL-H760-0-DBP	J	RAW POWER SUPPLY PARTS LIST
D-CS-H760A-0-1	B	CIRCUIT SCHEMATIC H760A
E-AD-7009409-0-0	C	DIODE HEAT SINK ASSEMBLY
D-AD-7009410-0-0	D	COMPONENT MTG PLATE ASSEMBLY
D-IC-H761-0-8	A	H761 WIRING DIAGRAM
E-UA-H761-0-0	K	REGULATED POWER SUPPLY
K-PL-H761-0-DBP	K	REGULATED POWER SUPPLY PARTS LIST
D-IC-H761-0-1	A	CONTROL LOGIC
D-CS-G8010-0-1	C	-5.2 VOLT CONTROL
D-CS-G8011-0-1	C	-2 VOLT CONTROL
D-CS-G8013-0-1	B	+10 VOLT REFERENCES
D-CS-G8014-0-1	B	LOW VOLTAGE DETECTOR
D-CS-5410663-0-1	B	SERIES PASS -2.0 VOLT BOARD
D-CS-5410665-0-1	B	-5.2 VOLT BOARD
E-AD-7009404-0-0	F	REGULATED HEAT SINK ASSY -2.0 VOLT
K-PL-7009404-0-DBP	F	REGULATED HEAT SINK PARTS LIST
E-AD-7009405-0-0	F	REGULATED HEAT SINK ASSY -5.2
K-PL-7009405-0-DBP	F	REGULATED HEAT SINK PARTS LIST
D-CS-7009404-0-1	*	-2.0 VOLT HEAT SINK ASSEMBLY
D-CS-7009405-0-1	*	-5.2 VOLT HEAT SINK ASSEMBLY
E-IA-7009545-0-0	*	HARNESS DRIVE SCR SCR RTN
D-IA-7009546-0-0	*	HARNESS SENSE
E-IA-7009547-0-0	A	HARNESS OPEN SENSE
E-UA-863-0-0	K	POWER CONTROLLER 863
K-PL-863-0-DBP	K	POWER CONTROLLER PARTS LIST
D-CS-863-0-1	F	CIRCUIT SCHEMATIC 863
D-CS-W516-0-1	D	AC LOW VOLTAGE DETECTOR
D-CS-W7000-0-1	C	AUX POWER SUPPLY
C-AD-7009632-0-0	C	WIRED ASSY, CHASSIS 863 P.C.
K-PL-7009878-0-DBP	E	CAPACITOR BOX ASSY PARTS LIST
E-AD-7009879-0-0	E	CAPACITOR BOX ASSEMBLY
E-UA-861-D	K	POWER CONTROLLER
E-AD-7020310-0-0	A	SWITCH PANEL ASSEMBLY
K-PL-7020310-0-DBP	A	SWITCH PANEL PARTS LIST

DRAWING NUMBER	REV	DESCRIPTION
D-AD-7009876-0-0	A	VANE SWITCH ASSEMBLY
E-AD-7020381-0-0	A	LOGIC ASSEMBLY RH20/DTE20
K-PL-7020381-0-DBP	A	LOGIC ASSEMBLY RH20/DTE20 P.L.
E-AD-7009429-0-0	F	WIRED ASSEMBLY RH20/DTE20
A-PL-7009429-0-0	F	WIRED ASSEMBLY RH20/DTE20 P.L.
D-AD-7010103-0-0	C	SWITCH ASSY
D-UA-5411360-0-0	*	SWITCH BOARD SH 1-2
D-IA-7011520-0-0	*	VANE SWITCH ASSEMBLY
C-IA-7008288-0-0	J	CABLE ASSEMBLY
D-UA-BC06R-0-0	F	BC06R I/O CABLE
D-IA-7020715-0-0	A	CABLE PRIMARY POWER 60 Hz
B-PL-KL10-R-SH	A	SHIP LIST KL10-R
D-AD-7018288-0-0	B	VOLTAGE MONITOR ASSY I/O #1
K-PL-7018288-0-DBP	B	VOLTAGE MONITOR ASSY I/O #1 P.L.
D-UA-5414506-1-0	A	VOLTAGE MONITOR BOARD
K-PL-5414506-1-DBP	A	VOLTAGE MONITOR BOARD P.L.
D-CS-5414506-1-1	A	VOLTAGE MONITOR BOARD
A-SP-5414506-1-2	A	VOLTAGE MONITOR
E-AD-7016018-0-0	B	CARD CAGE ASSEMBLY
K-PL-7016018-0-DBP	B	CARD CAGE ASSEMBLY P.L.
MP00622	H	MF20 PRINT SET FOR REF ONLY
B-DD-KL10-R	A	KL10-R PROCESSOR D.D.FOR REF ONLY
EK-OKL10-MP-001	*	KL10 BLOCK DIAGRAMS FOR REF ONLY
MP00301	A	KL10-PV PRINT SET FOR REF ONLY

TITLE:	KL10-R PROCESSOR	SHEET 2 OF 2	SIZE CODE	NUMBER	REV.
			B TC	KL10-R-DBU	A

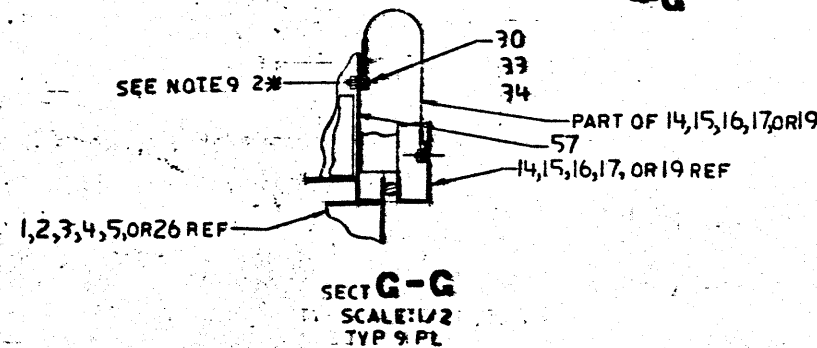
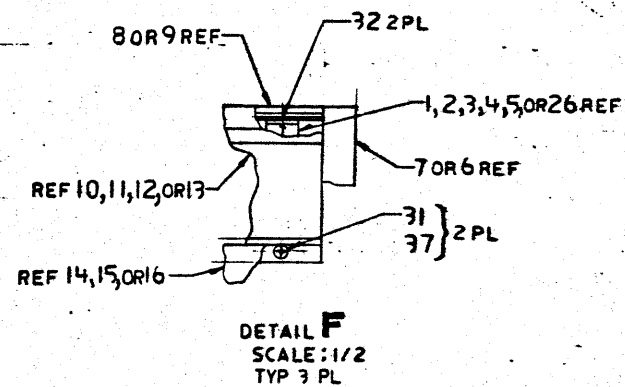
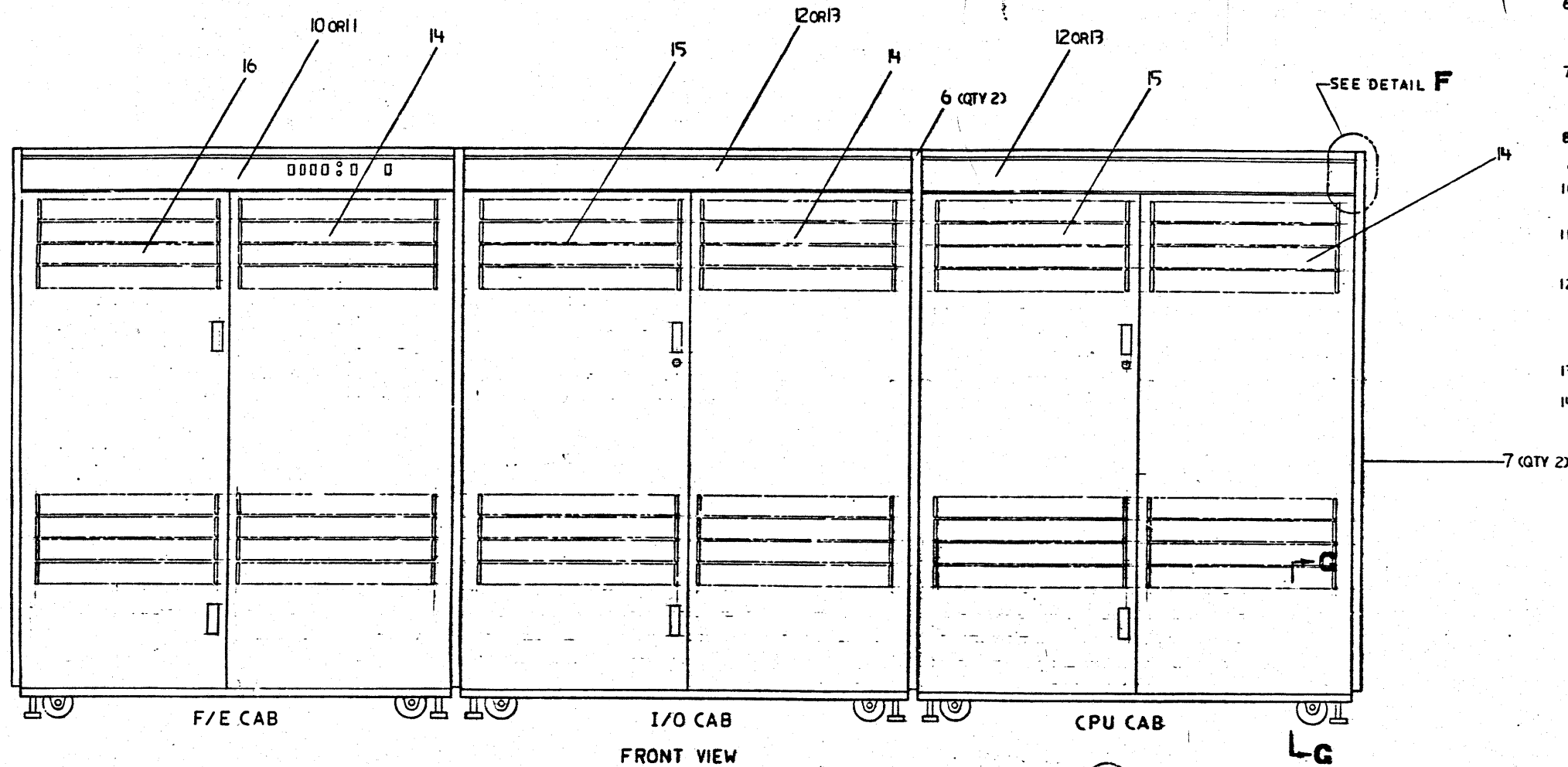
MRO

THIS DRAWING AND SPECIFICATIONS ARE THE PROPERTY OF DIGITAL. NO PARTS, INFORMATION, OR DATA, NOT BE REPRODUCED OR COPIED IN WHOLE OR IN PART, AT THE BASIS FOR THE MANUFACTURE OR SALE OF THIS OR ANY OTHER PRODUCT WITHOUT THE WRITTEN PERMISSION OF DIGITAL EQUIPMENT CORPORATION.

LEGEND		
PART NO.	VARIATION	REV
KL10-RA	60HZ ORANGE	A 1
KL10-RC	60HZ BLUE	A 1
KL10-RE	60HZ BLUE NO MEM	A 1

NOTES:

- THIS DOCUMENT DESCRIBES COMPLETELY THE MECHANICAL ASSEMBLY OF THE KL10-R. FOR ANY ELECTRONIC, LOGIC, OR SCHEMATIC INFORMATION SEE THE FOLLOWING FIELD MAINTENANCE PRINT SETS:  
 MP00622 MF20 MOS MEMORY  
 MP01708 KL10-R PROCESSOR UNIT  
 MP00301 KL10-PV EXTENDED ADDRESSING CPU
- ITEM 38 (DIB20) IS STANDARD ON THE KL10-RE ONLY. FOR INSTALLATION INFORMATION SEE PRINT SET MP00528
- TO INSTALL A CARD READER CABLE REMOVE THIS PLATE, PASS CABLE THROUGH CUT-OUT AND REPLACE PLATE.
- IF A SECOND DC20F-AD IS INSTALLED HERE REMOVE PLATES AND DISCARD
- KL10-RE ONLY INSTALL (2) BC20C-6C CABLES (ITEM 46) FROM CPU SLOT A803 TO DIB20 SLOT A801 AND FROM CPU SLOT C003 TO DIB20 SLOT C001.
- IF A DN20-XX IS INSTALLED WITH THE KL10-R THE I/O PLATES SUPPLIED WITH THE KL10-R ARE USED. IF A DN20F-XX IS INSTALLED REMOVE THE PANEL AND INSTALL THE SIMILAR PANEL SUPPLIED WITH DN20F-XX
- WHEN INSTALLING A MASSBUS CABLE TO AN RH20 REMOVE THE MASSBUS CLAMP AND INSTALL CABLE REPLACING MASSBUS CLAMP SECURELY AROUND CABLE.
- WHEN SERVICING DRAWERS REMOVE SHIPPING BRACKETS. REPLACE BRACKETS WHEN COMPLETED
- \* DENOTES HOLE NUMBER. BOTTOM HOLE IS HOLE NO. 0
- FOR INSTALLATION OF RH20'S OR DTE 20'S SEE DRAWING D-MU-KL10-0-RHDT. FOR INSTALLATION OF ANY CPU (KL10-PV) MODULES SEE DRAWING D-MU-KL10-0-CPU
- FOR KL10-RA, KL10-RC REMOVE (2) M8519 IN SLOTS 7 AND 8 OF CPU BACKPLANE (KL10-PV) AND REPLACE WITH (2) M8580 (ITEM 42)
- WHEN INSTALLING DIB20 (ITEM 38) FOLLOW PRINTS SPECIFIED IN NOTE 2 WITH THE EXCEPTION OF THE MOUNTING HOLES FOR THE BRACKET, POWER CONNECTOR (7005868). MOUNT THIS IN HOLES 21 AND 24 RATHER THAN 11 AND 14.
- INSTALL ITEM 58 (TERMINATOR ASSY) IN UNUSED PORT OF RP06.
- REMOVE AND DISCARD GND STRAP FROM TWO END PANELS (ITEM 7)

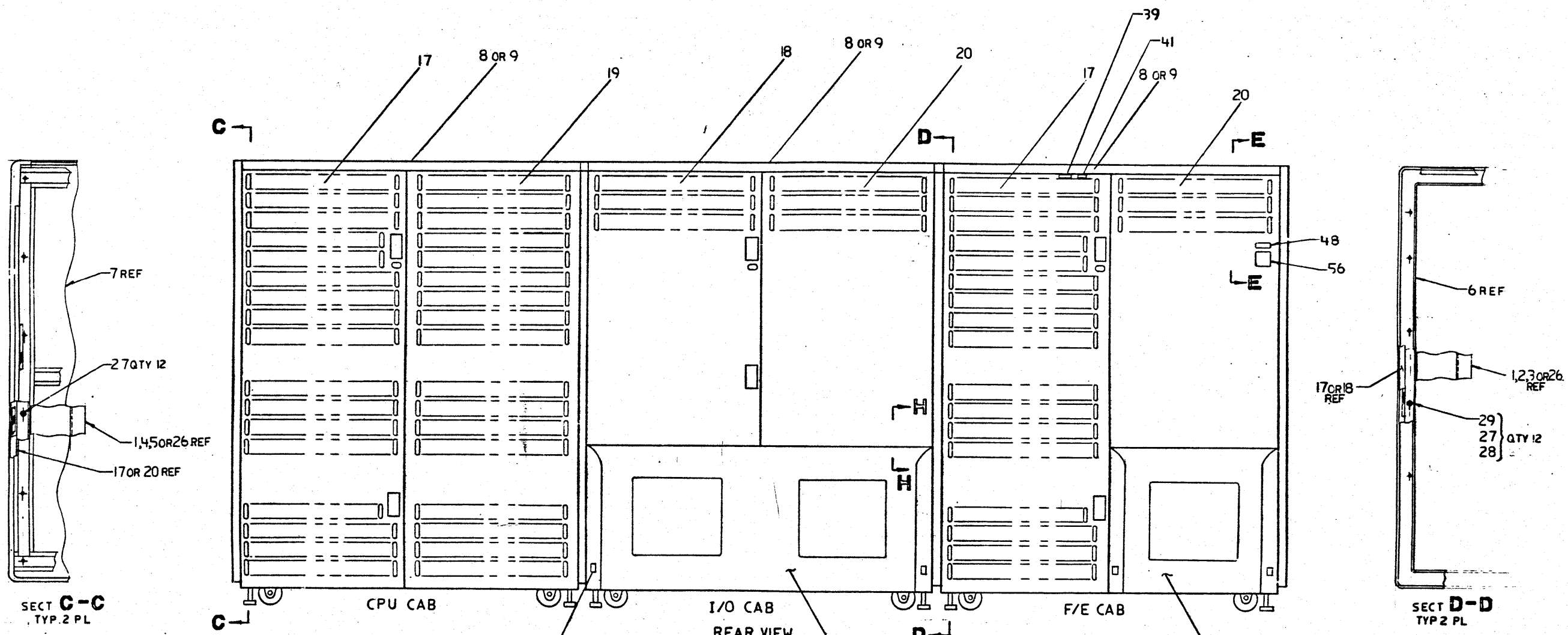


CAUTION: OFF SHEET PARTS LIST EXISTS.  
SEE K-PL-KL10-R-DBP.

DESCRIPTION	DRAWING NO.	PART NO.	REV.		
UNLESS OTHERWISE SPECIFIED DIMENSIONS ARE IN INCHES AND THE FOLLOWING TOLERANCES APPLY (PER DEC STD 11A)					
INCH TOLERANCES	ANGLES ± 0° 30'	APPLICABLE DIMENSION RANGE			
		OVER 0.2 TO 0.4	OVER 0.4 TO 0.7	OVER 0.7 TO 1.2	OVER 1.2 TO 3.0
SURFACE QUALITY	FINISH	DIMENSION RANGE IN INCHES			
		0.2 TO 0.4	0.4 TO 0.7	0.7 TO 1.2	1.2 TO 3.0
QUANTITY & VARIATION	THIRD ANGLE PROJECTION			TITLE	
DO NOT SCALE DRAWINGS	DESIGNED BY: R. SCOTT	DATE: 15 SEP 73	KL10-R PROCESSOR UNIT		
REMOVE BURRS AND BREAK SHARP CORNERS	CHECKED BY: [Signature]	DATE: 15 SEP 73	DOCUMENT NUMBER		
SEE PARTS LIST	MATERIAL			ALIAS	

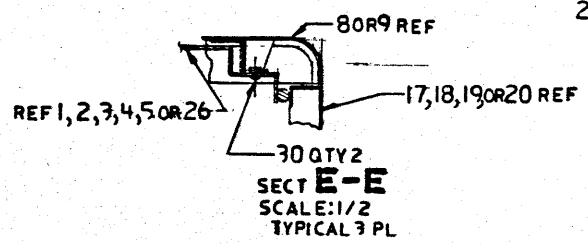
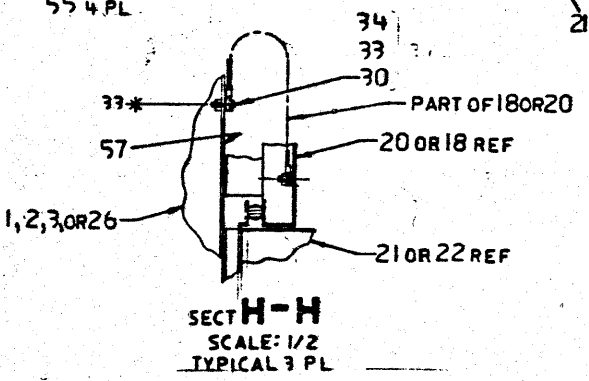
THE DRAWING AND SPECIFICATIONS HEREIN ARE THE PROPERTY OF DIGITAL EQUIPMENT CORPORATION AND SHALL NOT BE REPRODUCED OR COPIED OR USED IN WHOLE OR IN PART AS THE BASIS FOR THE MANUFACTURE OR SALE OF ITEMS WITHOUT WRITTEN PERMISSION OF DIGITAL EQUIPMENT CORPORATION.

1973 DIGITAL EQUIPMENT CORPORATION



SECT C-C  
TYP 2 PL

SECT D-D  
TYP 2 PL

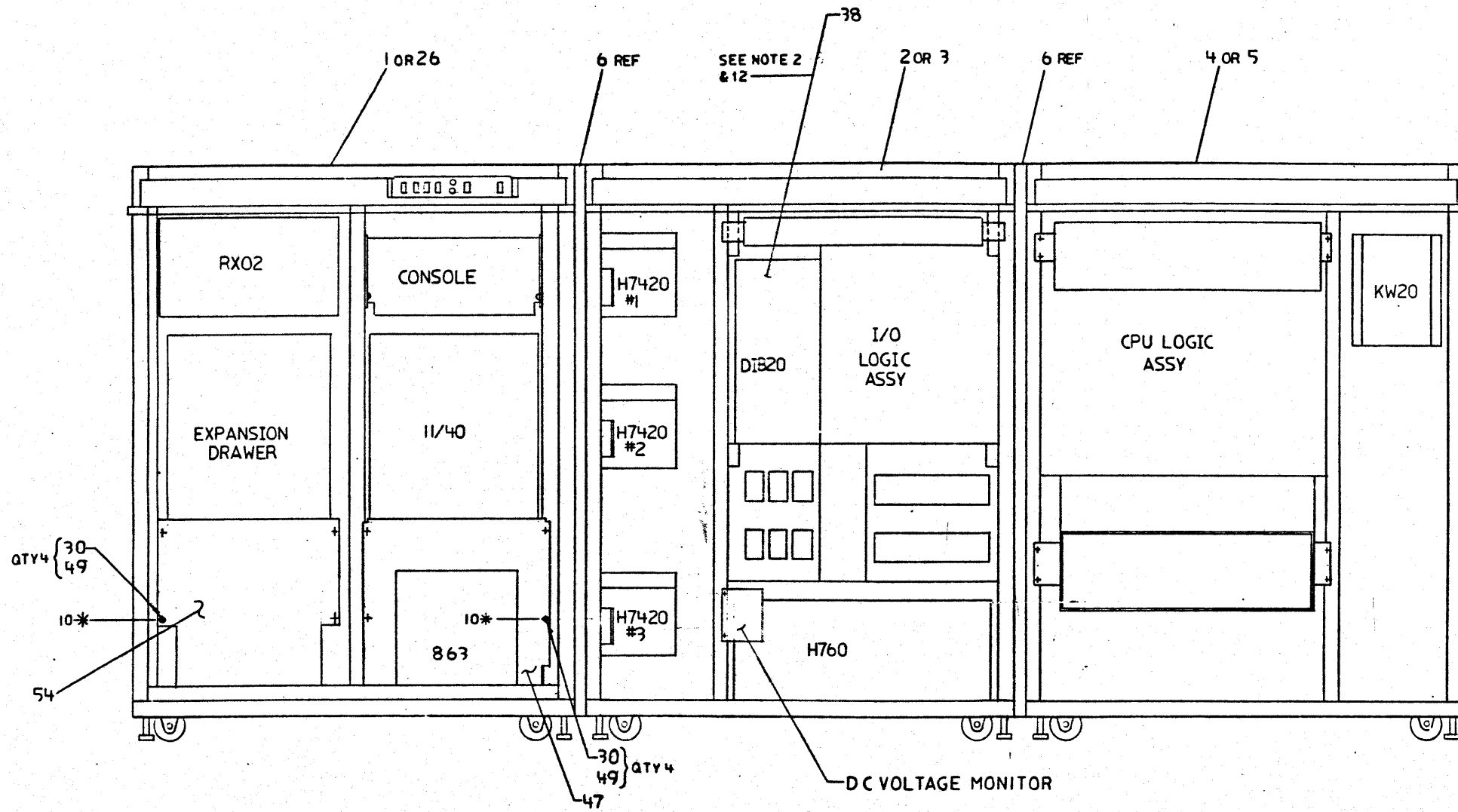


REVISION HISTORY		
DATE	REV	DESCRIPTION

DOCUMENT NUMBER	
REV	DESCRIPTION



THE DIMENSIONS AND SPECIFICATIONS HEREIN ARE THE PROPERTY OF DIGITAL EQUIPMENT CORPORATION AND SHALL NOT BE REPRODUCED OR TRANSMITTED IN ANY FORM OR BY ANY MEANS, ELECTRONIC OR MECHANICAL, INCLUDING PHOTOCOPYING, RECORDING, OR BY ANY INFORMATION STORAGE AND RETRIEVAL SYSTEM, WITHOUT THE WRITTEN PERMISSION OF DIGITAL EQUIPMENT CORPORATION.

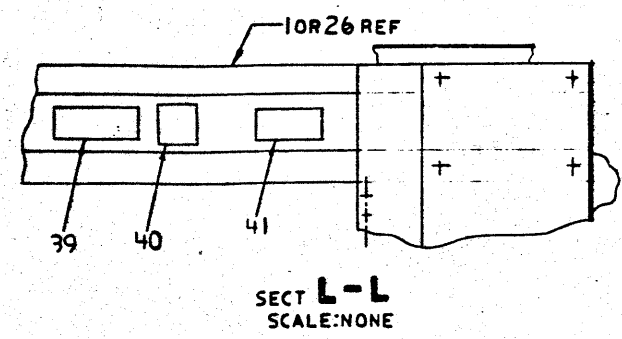
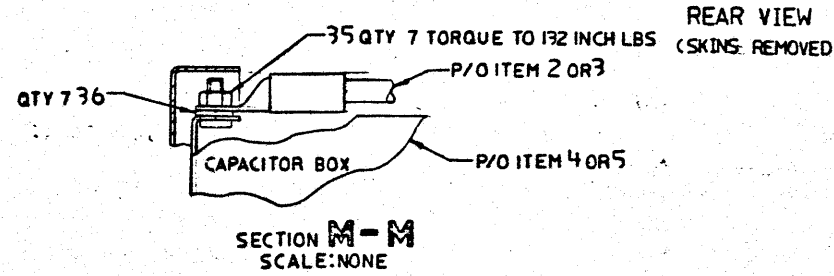
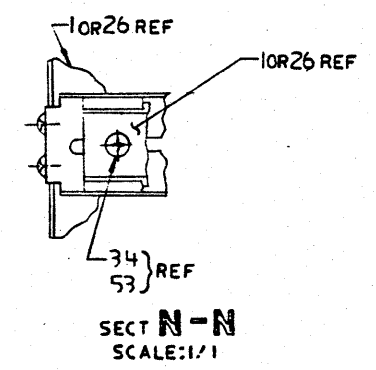
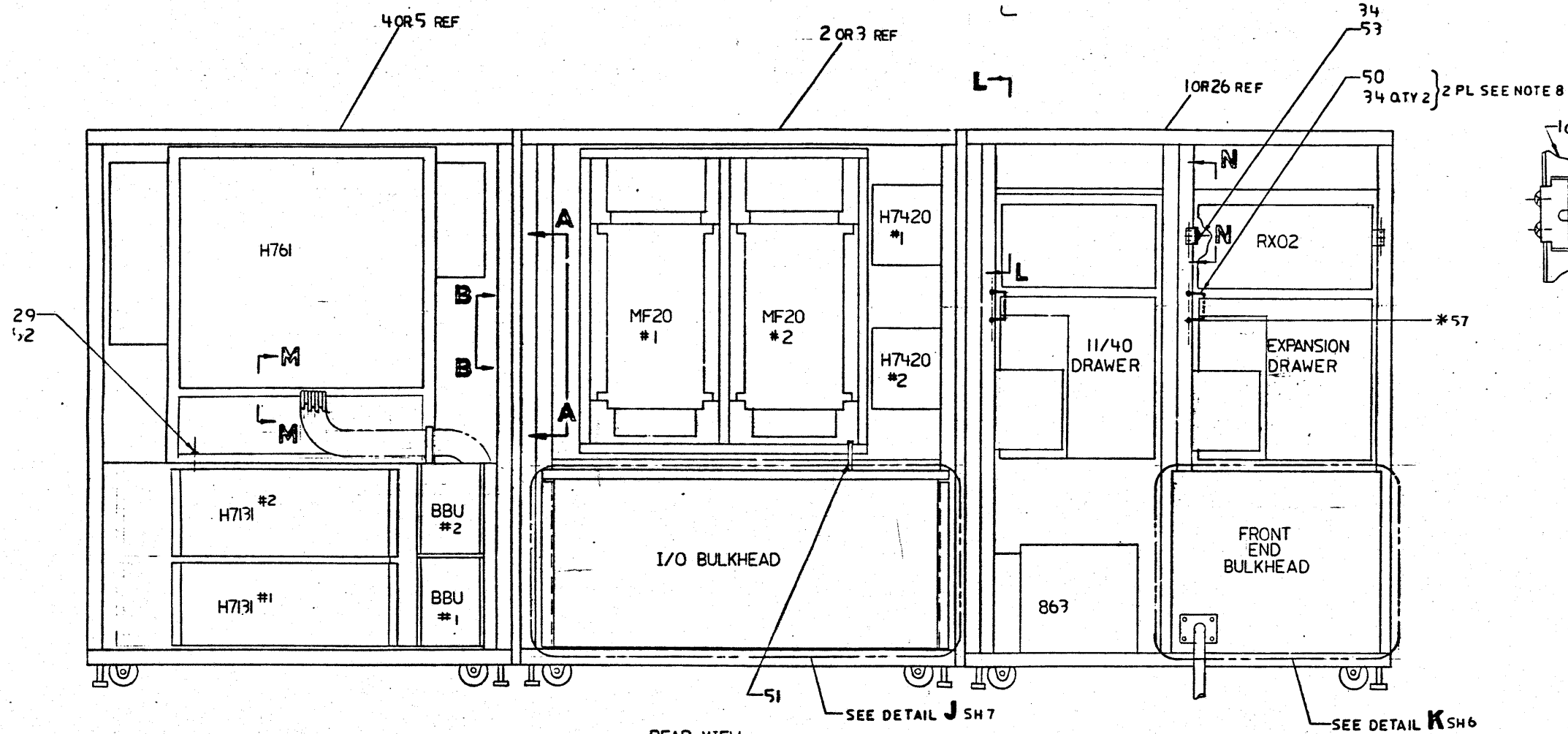


FRONT VIEW  
(SKINS REMOVED)

REVISION HISTORY		
DATE	REV NUMBER	REV

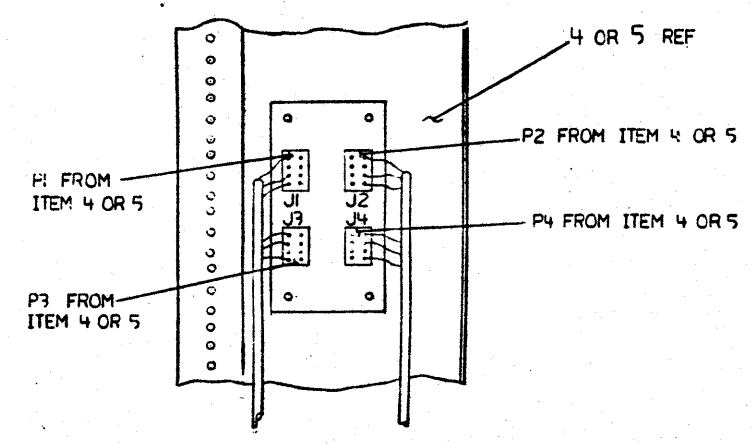
DOCUMENT NUMBER			
REV	DATE	ISSUED BY	APPROVED BY

THE DIMENSIONS INDICATED HEREIN ARE THE PROPERTY OF DATA EQUIPMENT CORPORATION AND SHALL NOT BE REPRODUCED OR TRANSMITTED IN ANY FORM OR BY ANY MEANS, ELECTRONIC OR MECHANICAL, INCLUDING PHOTOCOPYING, RECORDING, OR BY ANY INFORMATION STORAGE AND RETRIEVAL SYSTEM, WITHOUT THE WRITTEN PERMISSION OF DATA EQUIPMENT CORPORATION.

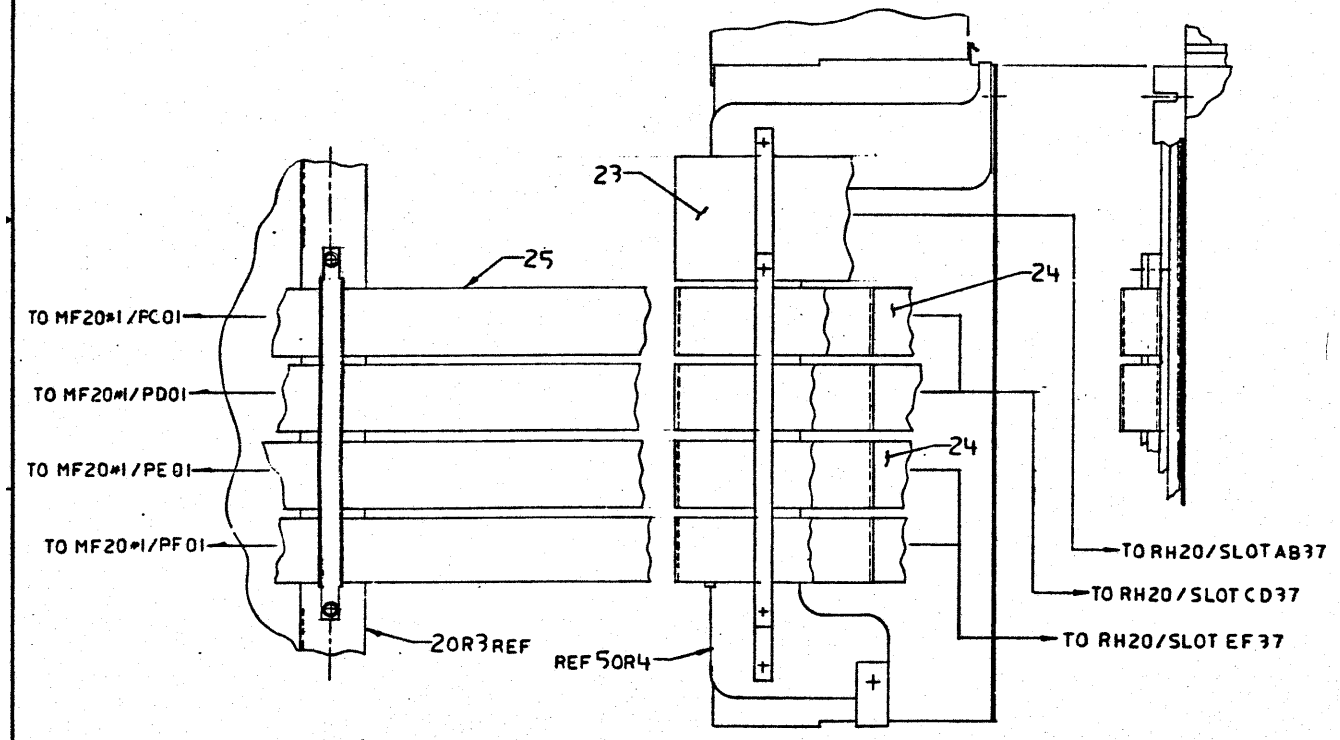


REVISION HISTORY		
DATE	ECO NUMBER	REV.

THIS DRAWING AND INFORMATION HEREIN ARE THE PROPERTY OF DIGITAL EQUIPMENT CORPORATION AND SHALL NOT BE REPRODUCED OR TRANSMITTED IN ANY FORM OR BY ANY MEANS, ELECTRONIC OR MECHANICAL, INCLUDING PHOTOCOPYING, RECORDING, OR BY ANY INFORMATION STORAGE AND RETRIEVAL SYSTEM, WITHOUT THE WRITTEN PERMISSION OF DIGITAL EQUIPMENT CORPORATION.



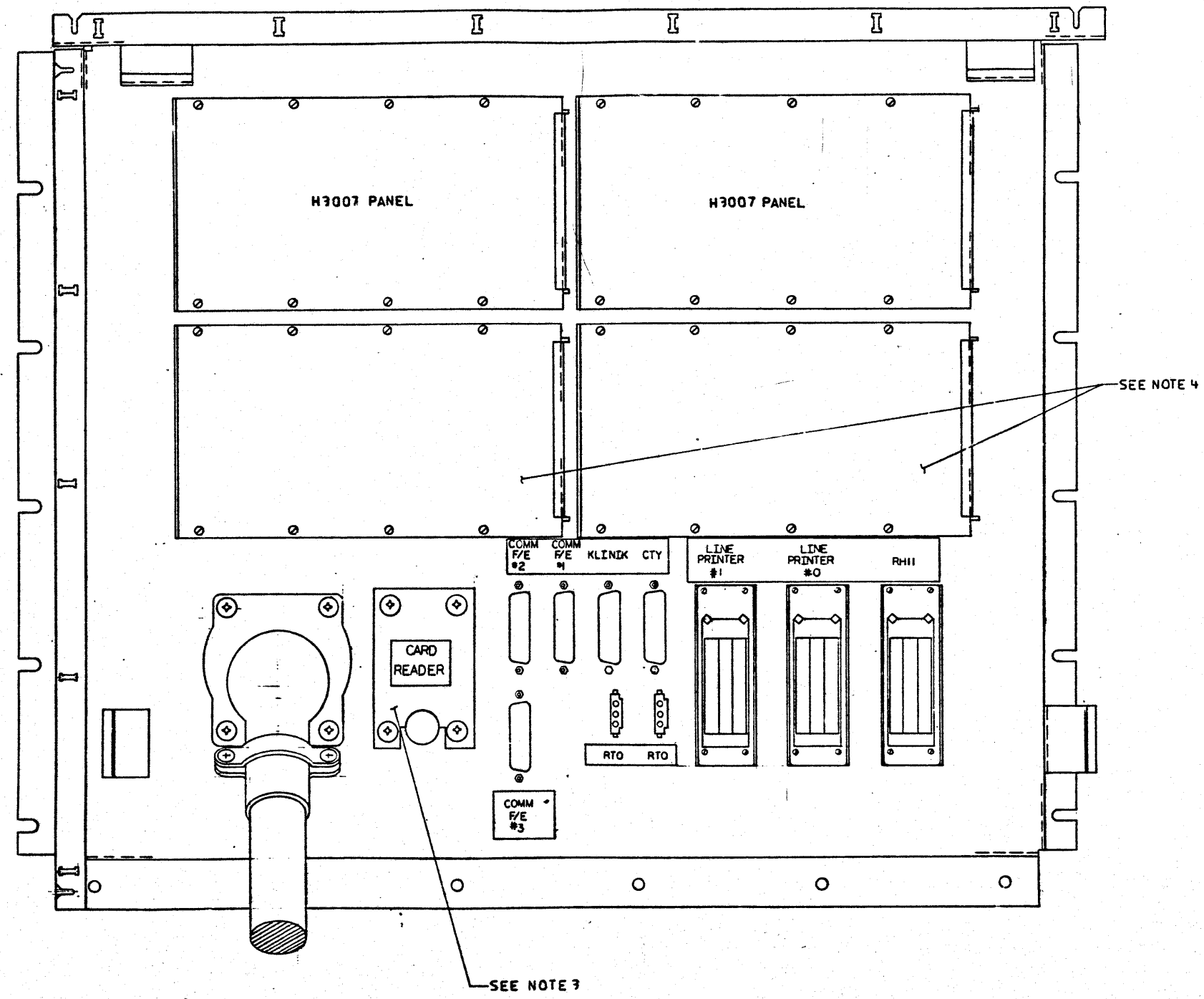
VIEW B-B SH 4



VIEW A-A SH 4

REVISION HISTORY		
DATE	ECO NUMBER	REV

THIS DRAWING AND THE INFORMATION CONTAINED HEREIN ARE THE PROPERTY OF THE GOVERNMENT AND ARE LOANED TO YOU FOR YOUR INFORMATION ONLY. IT IS TO BE USED FOR THE MANUFACTURE OR SALE OF THE ITEM WITHOUT LIMITATION. THIS IS AN UNLAWFUL AND VIOLATES THE FEDERAL COPYRIGHT LAW, 1976.

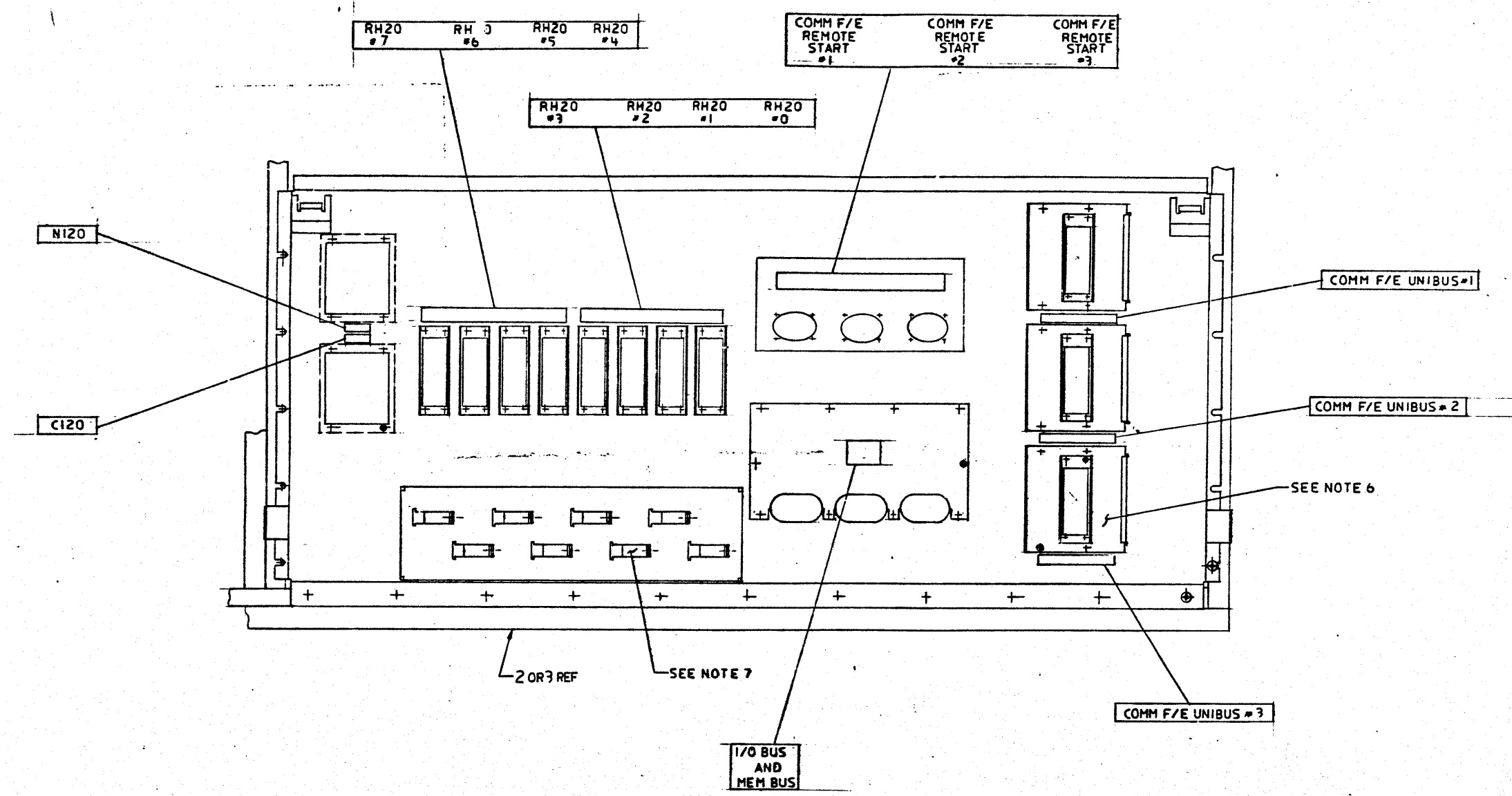


DETAIL K SH4  
SCALE: 1/1  
(SHOWN FOR CABLING REFERENCE ONLY)

REVISION HISTORY		
REV.	ECO NUMBER	DATE

TITLE		DOCUMENT NUMBER	
KL10-R PROCESSOR UNIT		EUA KL10-R-0	
SCALE	1/5	SHEET	6 OF 8

THIS DRAWING AND THE SPECIFICATIONS CONTAINED HEREIN ARE THE PROPERTY OF THE UNITED STATES GOVERNMENT AND ARE TO BE REPRODUCED OR TRANSMITTED IN ANY FORM OR BY ANY MEANS, ELECTRONIC OR MECHANICAL, INCLUDING PHOTOCOPYING, RECORDING, OR BY ANY INFORMATION STORAGE AND RETRIEVAL SYSTEM, WITHOUT PERMISSION IN WRITING FROM THE DIRECTOR, ARPA, WASH. DC 20305.



DETAIL J SH4  
SHOWN FOR CABLING REF ONLY

REVISION HISTORY		
REV.	ECO NUMBER	DATE

THIS DRAWING AND THE SPECIFICATIONS CONTAINED HEREIN ARE CONFIDENTIAL AND UNCLASSIFIED INFORMATION AND PROPERTY OF ORIGIN. DISSEMINATION OF THIS INFORMATION TO OTHERS WITHOUT THE WRITTEN PERMISSION OF THE ISSUING OFFICE IS PROHIBITED. THIS DRAWING IS UNCLASSIFIED UNDER THE NATIONAL ARCHIVES ACT.

INTER-CABINET CABLE CONNECTIONS

CPU TO I/O CABINETS

H731 POWER CORDS: (7021029-03)  
CONNECT PLUG LABELED 24 (CPU) TO JACK LABELED 24 (I/O)  
CONNECT PLUG LABELED 26 (CPU) TO JACK LABELED 26 (I/O)

MF20 FAN POWER(AC) HARNESS: (7020712-01, 7020714-01)  
CONNECT MATE-N-LOCK LABELED P9 (CPU) TO MATE-N-LOCK LABELED J9 (I/O)

REMOTE TURN ON CABLES: (7008288-8F)  
ROUTE CABLE FROM I/O CAB ALONG BOTTOM OF CPU CAB TO H731#1(BOTTOM)XJ2

H760 POWER CABLES: (7020493-00 THRU 06)  
ROUTE(7)2 AWG CABLES FROM I/O CAB THROUGH BRACKET ON CPU EQUIPMENT MOUNTING DOOR TO CAPACITOR BOX STUDS AS FOLLOWS:  
WIRE# 5 6 7 8 9 10 11 }  
TO:STUD# 5 6 7 8 9 10 11 } USE ITEM 35 & 36

MARGIN SENSE CABLES:(7020328-00)  
ROUTE MARGIN SENSE CABLES FROM CPU CAB TO MF20#1 AND MF20#2 CLAMPING DOWN IN EXISTING CLAMPS.  
CABLE (J11) TO MF20#1 PA01 (FROM BOTTOM H7131)  
CABLE (J11) TO MF20#2 PA01 (FROM TOP H7131)

FAULT HARNESS: (7020320-00, 7020319-00)  
CONNECT J17 (CPU) TO P7 (I/O)

MF20 DC POWER HARNESSES: (7020494-00, 7020495-00, 7020378-00, 7020317-00)  
CONNECT:  
P1 (CPU) TO J1 (I/O)  
P2 (CPU) TO J2 (I/O)  
P3 (CPU) TO J3 (I/O)  
P4 (CPU) TO J4 (I/O)

MASTER OSCILLATOR DC HARNESS: (7020711-01, 7020317-00)  
CONNECT P10 (CPU) TO J10 (I/O)

COAX CABLES (1700100-00)  
ROUTE COAX CABLES (2) FROM I/O CAB THROUGH WIRE BASKET (CPU) AND CONNECT TO MASTER OSCILLATOR (KW20)  
MF20#1 TO KW20/J1  
MF20#2 TO KW20/J3

I/O DC HARNESS: (7020320-00, 7020316-00)  
CONNECT J16 (CPU) TO P16 (I/O)

DC VOLTAGE MONITOR HARNESS:  
ROUTE RED & BLACK TWP FROM I/O TO CPU LOGIC (LOWER) AND CONNECT TO POWER TABS.  
WIRE#46 (RED) TO CPU BACKPLANE +5 LOWER (TERMINAL LABELED ON BACKPLANE)  
WIRE#45 (BLK) TO CPU BACKPLANE GND LOWER (TERMINAL LABELED ON BACKPLANE)

BC11A-02 (ITEM 23)  
CPU MODULE SLOT A801 TO I/O MODULE SLOT A837 (CABLE MUST BE CLAMPED IN STRAIN RELIEF AS SHOWN IN VIEW A-A)

BC20C-1C (ITEM 24)  
CPU MODULE SLOT CD01 TO I/O MODULE SLOT CD37 (CABLE MUST BE CLAMPED IN STRAIN RELIEF AS SHOWN IN VIEW A-A)  
CPU MODULE SLOT EF01 TO I/O MODULE SLOT EF37

M8572 (ITEM 25)  
CONNECT CLOCK SELECT CABLE (7015524-8F)/J1 (COILED IN CPU CAB) TO M8572/J5 AND CLAMP WITH SUPPLIED TIE WRAP  
INSERT M8572 INTO SLOT 2 OF CPU BACKPLANE. (CLAMP CABLES IN STRAIN RELIEF AS SHOWN IN VIEW A-A)

H761 POWER HARNESS (7020312-00)  
CONNECT P2 TO CPU BLOWER /J2  
CONNECT P1 TO H761/J1  
CONNECT 1(BLK) TO H761/J6  
2(GRN) TO H761/J5  
3(ORN) TO H761/J4

I/O CABINET TO F/E CABINET

AC POWER CORDS:  
CONNECT:  
24(I/O) TO J24(F/E) ON 863 POWER CONTROLLER  
26(I/O) TO J26(F/E) ON 863 POWER CONTROLLER  
28(I/O) TO J28(F/E) ON 863 POWER CONTROLLER  
29(I/O) TO J29(F/E) ON 863 POWER CONTROLLER  
30(I/O) TO J30(F/E) ON 863 POWER CONTROLLER

H760 POWER CORD: (7011036-01)  
CONNECT POWER CORD (I/O) TO 863/J1(F/E)

FAULT HARNESS: (7020319-00 & 7020840-01)  
CONNECT P2 (I/O) TO J2 (F/E) & P1 (I/O) TO J1 (F/E)  
DTE POWER (I/O DC HARNESS: 7020316-00 & 7020839-01)  
CONNECT P15 (I/O) TO J15 (F/E)

RTO CABLE (7008288-8F & 7020839-01)  
CONNECT RTO FROM I/O CAB TO J2(F/E)

UNIBUS  
CONNECT THE UNIBUS CABLE (BC11A-13) FROM 11/40 DRAWER (F/E) TO SLOT HJ05 OF THE DTE28 BACKPLANE  
CONNECT THE UNIBUS CABLE (BC11A-17) FROM THE EXPANSION DRAWER (F/E) TO SLOT HJ06 OF THE DTE 20 BACKPLANE

REVISION HISTORY

REV.	ECO NUMBER	DATE

AUTOMATED BY PRTLST.5R(52)

PARTS LIST

SHEET A1 OF A2

LINE	ITEM	TOP DOCUMENT	PART NUMBER	MIN REV	DESCRIPTION	QTY PER VARIATION		
						RA	RC	RE
						A1	A1	A1
1	1	E-AD-7020327-0-0	7020327-00		FRONT END CAB ASSY.	1	1	-
2	2	E-AD-7020325-0-0	7020325-00		I/O CAB ASSY (WITH MEM)	1	1	-
3	3	E-AD-7020325-0-0	7020325-01		I/O CAB ASSY (WITHOUT MEM)	-	-	1
4	4	E-AD-7020326-0-0	7020326-00		CPU CAB ASSY (WITH MEM)	1	1	-
5	5	E-AD-7020326-0-0	7020326-01		CPU CAB ASSY (WITHOUT MEM)	-	-	1
6	6	E-IA-7020305-0-DBU	7020305-00		EXPANDER FRAME ASSY.	2	2	2
7	7	E-IA-7019485-0-0	7019485-00		END PANEL ASSY.	2	2	2
8	8	E-IA-7019498-0-DBU	7019498-02		COVER, WELDMENT TOP, DBL TERRA C	3	-	-
9	9	E-IA-7019498-0-DBU	7019498-03		COVER, WELDMENT TOP, DBL BLAISI	-	3	3
10	10	D-IA-7426475-0-0	7426475-01	A	BEZEL, FRONT END CABINET	1	-	-
11	11	D-IA-7426475-0-0	7426475-02		BEZEL, FRONT END CABINET (BLUE)	-	1	1
12	12	D-MD-7426499-0-0	7426499-01	A	BEZEL, FRONT	2	-	-
13	13	D-MD-7426499-0-0	7426499-02	A	BEZEL, FRONT	-	2	2
14	14	E-AD-7020245-0-0	7020245-00		DOOR ASSEMBLY, FRONT R.H.	3	3	3
15	15	E-AD-7020246-0-0	7020246-00		DOOR ASSEMBLY, FRONT L.H.	2	2	2
16	16	D-MD-7020716-0-0	7020716-01		DOOR ASSY F.E. LEFT FRONT	1	1	1
17	17	E-AD-7020248-0-0	7020248-00		DOOR ASSEMBLY, REAR L.H.	2	2	2
18	18	E-AD-7020485-0-0	7020485-00		DOOR ASSEMBLY, REAR LH	1	1	1
19	19	E-AD-7020247-0-0	7020247-00		DOOR ASSEMBLY, REAR R.H.	1	1	1
20	20	E-AD-7020486-0-0	7020486-00		DOOR ASSEMBLY, REAR LH	2	2	2
21	21	D-MD-7426515-0-0	7426515-01	A	I/O BULKHEAD COVER	1	1	1
22	22	D-MD-7429286-0-0	7429286-01	A	F/E BULKHEAD COVER	1	1	1
23	23	D-UA-BC11A-0-0	BC11A-02		CABLE ASSY PDP-11 M919-M929	1	1	1
24	24	D-UA-BC20C-0-0	BC20C-1C		CABLE CONN ASSY 15 INCH	2	2	2
25	25	D-UA-M8572-0-0	M8572-00		MULTIPLE S-BUS TRANSLATOR, 4 LAY	1	1	-
26	26	E-AD-7020327-0-0	7020327-01		FRONT END CAB ASSY.	-	-	1
27	27		9008203-00	A	NUT, HEX EXT TOOTH LCKWSHR 1/4-20	48	48	48
28	28		9006243-09	A	SCREW, MACH HEX PLN 1/4-	24	24	24

REVISION HISTORY			BASIC PART NO: OKL10		DRN: VICKY GUTBIER DATE: 11-JUL-83			DIGITAL			
ENGR	ECO NUMBER	REV	SECTION A OF A	CHK'D:	ROGER SCOTT	DATE:	11-JUL-83	TITLE PARTS LIST			
INITIAL		IA	SECTION VARIATION INDEX			DATE:	11-JUL-83	KL10-R PROCESSOR UNIT			
			CAJRA, RC, RE	DES.ENG:	ROGER SCOTT	DATE:	11-JUL-83	DOCUMENT NUMBER			
			[B]	RESP.ENG.:	ROGER SCOTT	DATE:	11-JUL-83	SIZE:	CODE:	NUMBER	REV
			[C]	IMPG.ENG.:	SUE ALMEIDA	DATE:	11-JUL-83	K	PL	KL10-R-DBP	A
			[D]					RELEASE DATE:			
			[E]	ASSEMBLY NUMBER:	E-UA-KL10-R-0	TOP DOCUMENT NUMBER:	B-DD-KL10-R-0	FILE NAME:	Z7427A.PLS	EDIT #:	18
			[F]								

"THIS DRAWING AND THE SPECIFICATIONS CONTAINED HEREIN ARE CONFIDENTIAL AND PROPRIETARY. THEY ARE THE PROPERTY OF DIGITAL EQUIPMENT CORPORATION AND SHALL NOT BE REPRODUCED OR COPIED OR USED IN WHOLE OR IN PART AS THE BASIS FOR THE MANUFACTURE OR SALE OF ITEMS WITHOUT WRITTEN PERMISSION. THIS IS AN UNPUBLISHED WORK PROTECTED UNDER THE FEDERAL COPYRIGHT LAWS."

MRO



AUTOMATED BY PRTLST.5R(52)

PARTS LIST

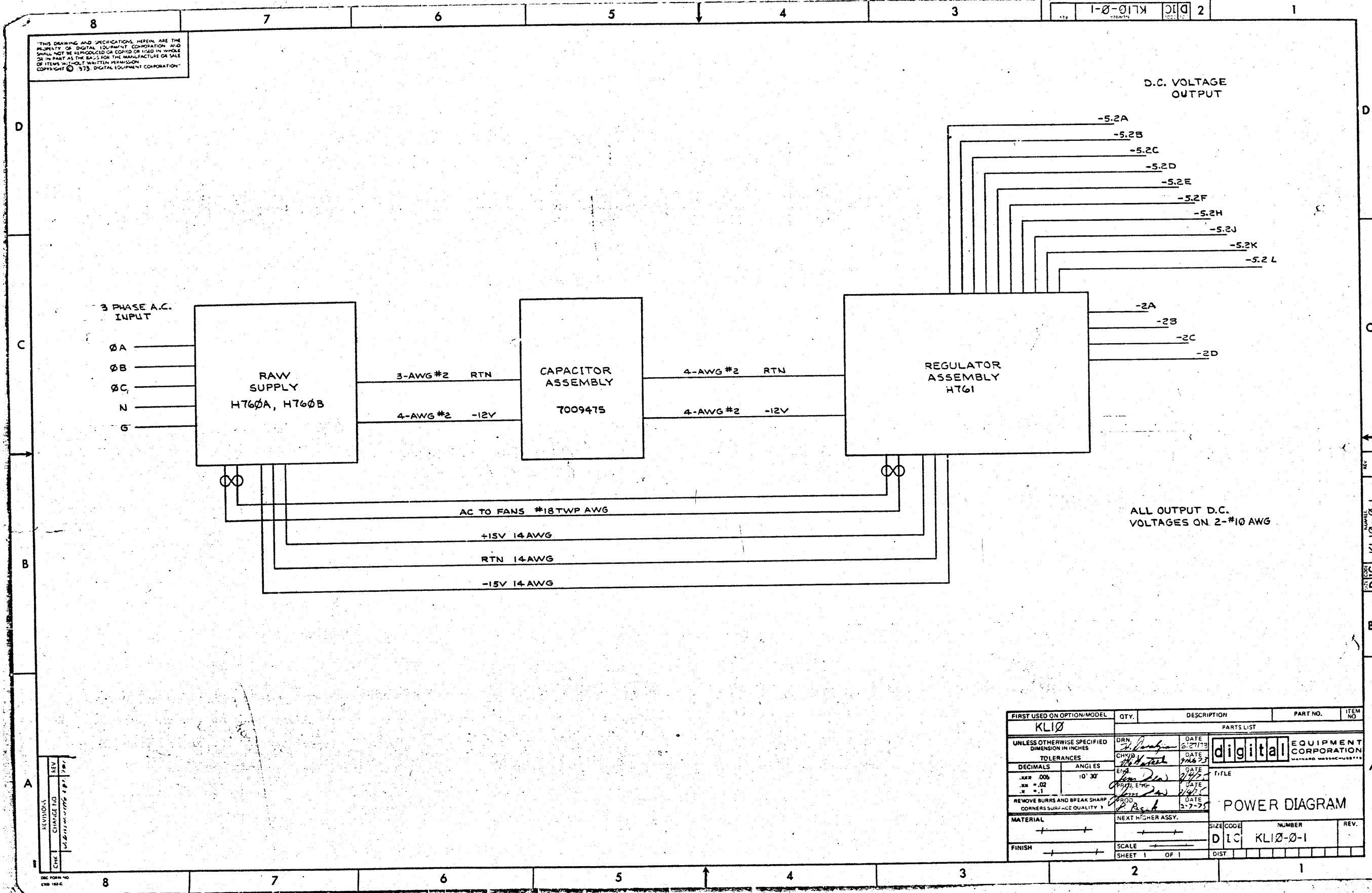
SHEET A2 OF A2

LINE	ITEM	TOP DOCUMENT	PART NUMBER	MIN REV	DESCRIPTION	QTY PER VARIATION		
						RA	RC	RE
						A1	A1	A1
29	29		9006724-00	A	WASHER, LOCK EXTERNAL STEEL	25	25	25
30	30		9009700-00	A	SCREW, SEMS TRUSS PHIL 10-	26	26	26
31	31		9006073-01	A	SCREW, MACH PAN PHIL 10-	6	6	6
32	32		9006071-02	A	SCREW, MACH FLAT PHIL 10-	6	6	6
33	33		9007651-00	B	WASHER, LOCK EXTERNAL STEEL	12	12	12
34	34		9006565-00	C	NUT, HEX EXT TOOTH LCKWSHR 10-32	17	17	17
35	35		9006568-00	A	NUT, HEX EXT TOOTH LCKWSH 5/16-18	7	7	7
36	36		9006638-00	A	WASHER, LOCK INTERNAL STEEL	7	7	7
37	37		9006635-00	A	WASHER, LOCK INTERNAL STEEL	6	6	6
38	38	D-UA-DTB20-0-0	DIB20-00		I/O BUS ADAPTER	-	-	1
39	39		3617674-01	E	LABEL, SERIAL/POWER W UL & CSA	2	2	2
40	40		3612449-00		LABEL, UL. FOIL VINYL, ADH BACK,	1	1	1
41	41		3613211-01	A	DECAL, CLEAR PREPRINTED CSA 1-1/4	2	2	2
42	42	D-UA-M8580-0-0	M8580-00		TRANSLATOR DUAL MF20	2	2	-
43	43	B-DD-RH20-0-0	ORH20-00		MASS BUS CONTROLLER	2	2	1
44	44	A-PL-DTE20-0-0	DTE20-00		PDP11 TO KL10 INTERFACE	1	1	1
45	45	A-PL-DMA20-0-0	DMA20-00		KI10 MEM ADAPTOR	-	-	1
46	46	D-IA-BC20C-0-0	BC20C-6C		CABLE CONN ASSY 6FT-3INCH	-	-	2
47	47	D-MD-7426513-0-0	7426513-01	A	GUARD, FINGER, R.H., FE	1	1	1
48	48		3617380-02	E	LABEL, FCC, CLASS A, PROCESSOR	1	1	1
49	49		9007786-00		RETAINER, U-NUT 10-32X	8	8	8
50	50	B-MD-7413486-0-0	7413486-00	A	BRKT SHIPPING 11/70	2	2	2
51	51		9009350-01		TIE, CABLE BUNDL. DIA 0-4" NONRELEA	1	1	-
52	52		9006249-09	A	SCREW, MACH HEX PLN 1/4-	1	1	1
53	53		9006075-03	A	SCREW, MACH TRUSS PHIL 10-	1	1	1
54	54	D-MD-7426514-0-0	7426514-01	A	GUARD, FINGER, L.H., F.E.	1	1	1
55	55		9009537-00	A	FASTENER, SQUEEZE RELEASE, BLACK	4	4	4
56	56		3618307-05		ASSY, 04, 01	1	1	1
57	57		3613272-00	B	LABEL, ADH BACK, MYLAR CAP	12	12	12
58	58		7009938-00		TERMINATOR ASSEMBLY (80-RJP04)	1	1	1

D I G I T A L	TITLE	KL10-R PROCESSOR UNIT	SECTION A OF A	SIZE CODE	DOCUMENT NUMBER	REV
				K PL	KL10-R-DBP	A

MRO

THIS DRAWING AND SPECIFICATIONS HEREIN ARE THE PROPERTY OF DIGITAL EQUIPMENT CORPORATION AND SHALL NOT BE REPRODUCED OR COPIED OR USED IN WHOLE OR IN PART AS THE BASIS FOR THE MANUFACTURE OR SALE OF ITEMS WITHOUT WRITTEN PERMISSION. COPYRIGHT © 1973, DIGITAL EQUIPMENT CORPORATION.

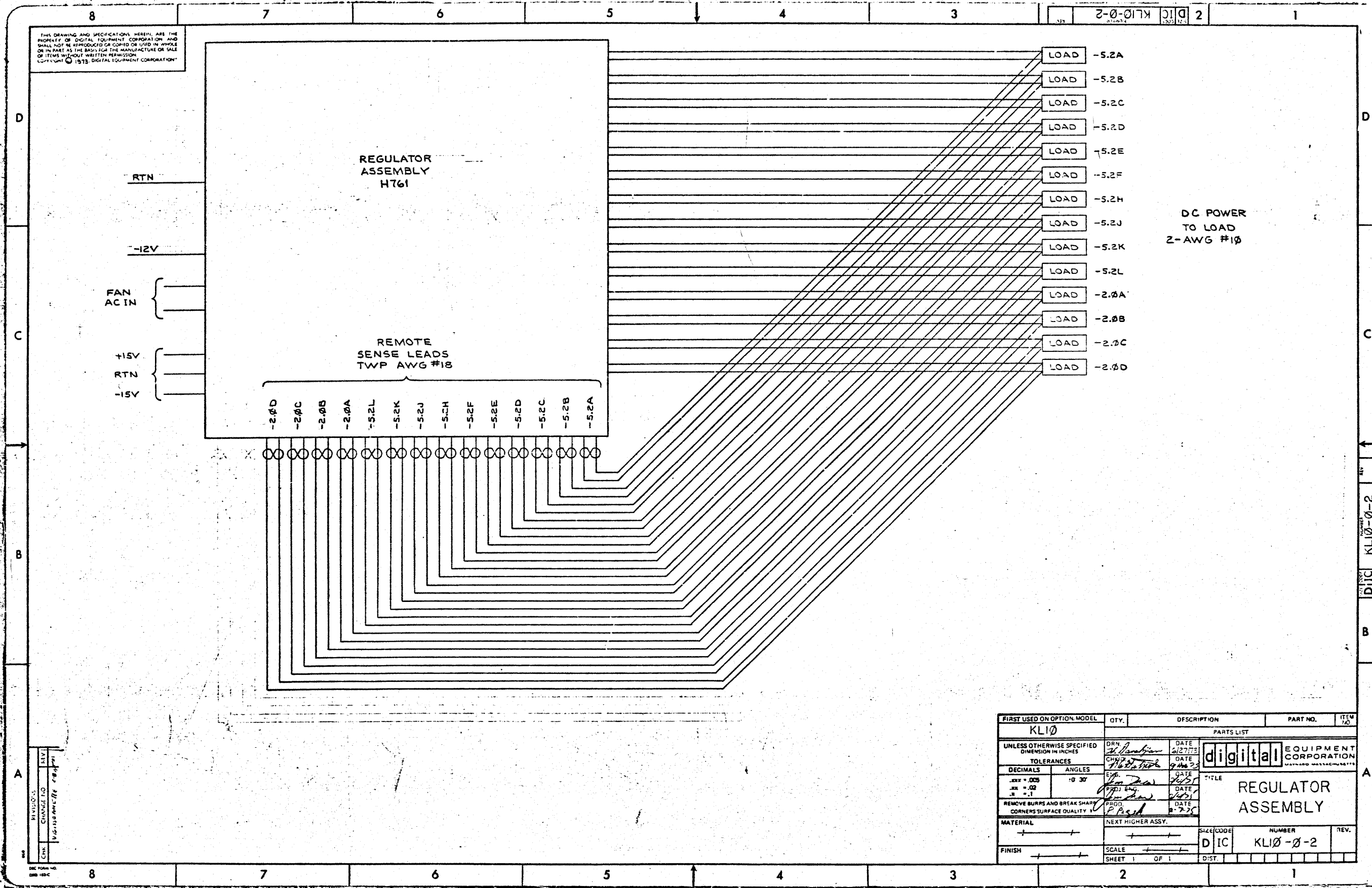


REV	NO	DATE
1	1	1/27/73
CHK	NO	DATE
1	1	1/27/73

FIRST USED ON OPTION/MODEL KLIØ	QTY.	DESCRIPTION	PART NO.	ITEM NO.
PARTS LIST				
UNLESS OTHERWISE SPECIFIED DIMENSION IN INCHES	DRN <i>[Signature]</i>	DATE 6-27-73	digital EQUIPMENT CORPORATION	
TOLERANCES	CHK'D <i>[Signature]</i>	DATE 7-6-73		
DECIMALS .006	ENG <i>[Signature]</i>	DATE 7-11-73	TITLE	
ANGLES :0' 30'	PROD <i>[Signature]</i>	DATE 2-7-75	POWER DIAGRAM	
REMOVE BURRS AND BREAK SHARP CORNERS SURFACE QUALITY 1	NEXT HIGHER ASSY.		SIZE CODE D I C	NUMBER KLIØ-Ø-1
MATERIAL + + +		SCALE 1 OF 1	DIST	REV.
FINISH + + +		SHEET 1		

NUMBER KLIØ-Ø-1  
 DATE 6-27-73  
 D I C

THIS DRAWING AND SPECIFICATIONS HEREBY ARE THE PROPERTY OF DIGITAL EQUIPMENT CORPORATION AND SHALL NOT BE REPRODUCED OR COPIED OR USED IN WHOLE OR IN PART AS THE BASIS FOR THE MANUFACTURE OR SALE OF ITEMS WITHOUT WRITTEN PERMISSION. COPYRIGHT © 1973 DIGITAL EQUIPMENT CORPORATION



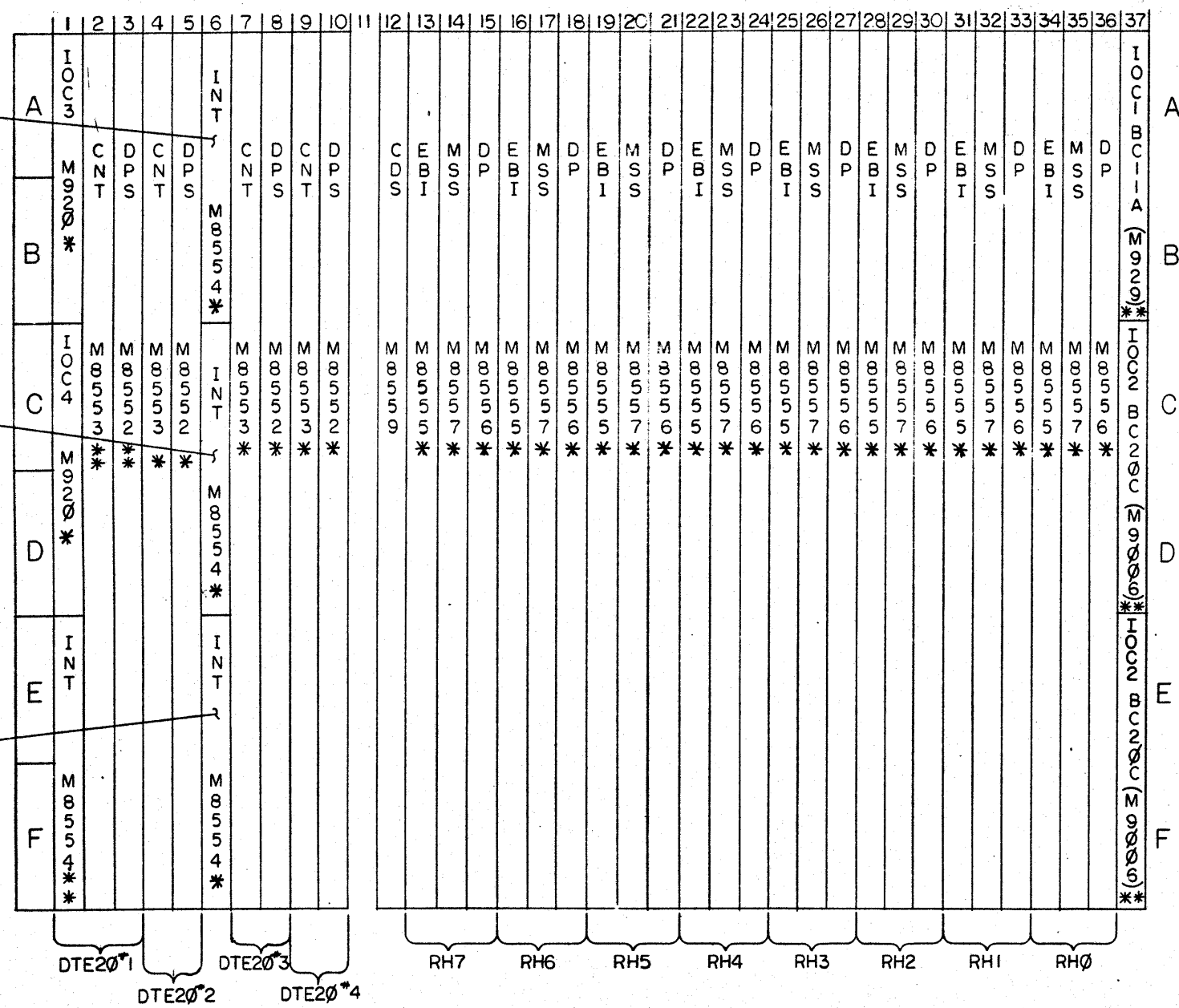
DC POWER  
TO LOAD  
2-AWG #10

REV	DATE	BY	CHKD
1	10/27/73	W. Dambian	
2	11/20/73	H. B. Smith	
3	12/15/73	W. Dambian	
4	1/24/74	W. Dambian	
5	2/25/74	P. B. Smith	

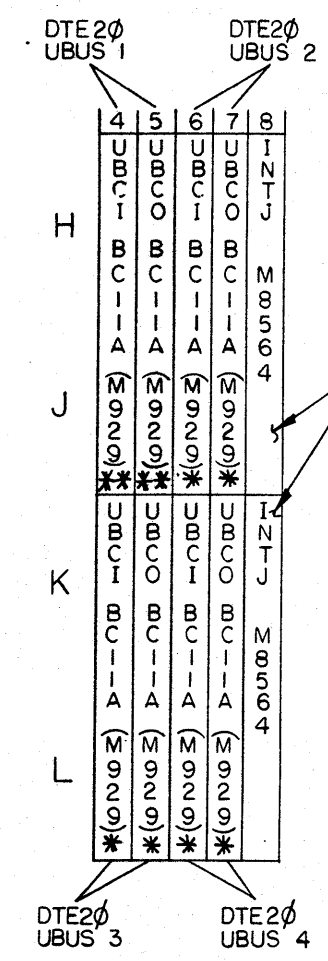
FIRST USED ON OPTION MODEL	QTY.	DESCRIPTION	PART NO.	ITEM NO.
KL10				
PARTS LIST				
UNLESS OTHERWISE SPECIFIED DIMENSION IN INCHES	DRN. <i>W. Dambian</i>	DATE <i>10/27/73</i>	digital EQUIPMENT CORPORATION	
TOLERANCES	CHKD. <i>H. B. Smith</i>	DATE <i>11/20/73</i>	REGULATOR ASSEMBLY	
DECIMALS	EXG. <i>W. Dambian</i>	DATE <i>12/15/73</i>	TITLE	
ANGLES	PROD. ENG. <i>W. Dambian</i>	DATE <i>1/24/74</i>	D I C	
REMOVE BURRS AND BREAK SHARP CORNERS SURFACE QUALITY	PROD. <i>P. B. Smith</i>	DATE <i>2/25/74</i>	NUMBER	
MATERIAL	NEXT HIGHER ASSY.	SCALE	KL10-0-2	REV.
FINISH	SCALE	SHEET 1 OF 1	DIST.	

THIS DRAWING AND SPECIFICATIONS, HEREIN, ARE THE PROPERTY OF DIGITAL EQUIPMENT CORPORATION AND SHALL NOT BE REPRODUCED OR COPIED OR USED IN WHOLE OR IN PART AS THE BASIS FOR THE MANUFACTURE OR SALE OF ITEMS WITHOUT WRITTEN PERMISSION. COPYRIGHT © 1975, DIGITAL EQUIPMENT CORPORATION

NOTES:  
 1. ITEM NOT SHOWN WITH AN ASTERISK ARE PART OF RH20/DTE20 LOGIC ASSY E-AD-7010102-0-0



REF: PIN SIDE  
 \* INSTALLED AT SYSTEMS LEVEL  
 \*\* INSTALLED AT KLI0 UNIT ASSY LEVEL D-UA-KLI0-0-0



PART OF SWITCH ASSY D-IA-7010103-2-0

REF: PIN SIDE

REV.	
CHANGE NO.	
CHK	

SEC FORM NO. 100-100

DESCRIPTION		DWG./PART NO		ITEM NO.
UNLESS OTHERWISE SPECIFIED DIMENSIONS ARE IN INCHES				
ANGLES ±0° 30'	CLASS OF ACCURACY (CHECK ONE)	NOMINAL DIMENSION RANGE INCHES		
		OVER 0 TO 0.2	OVER 0.2 TO 1.2	OVER 1.2 TO 4.0
SURFACE QUALITY IN	MEDIUM	±.004	±.008	±.012
		±.016	±.024	±.04
QUANTITY & VARIATION	MICROINCHES	PREFERRED	±.012	±.016
			±.025	±.04
THIRD ANGLE PROJECTION		DRN. M. Gales 3-11-75		FIRST USED ON
REMOVE BURRS AND BREAK SHARP CORNERS		CHK. J. Gales 3-25-75		KLI0 digital
DO NOT SCALE DWG		ENG. J. Gales 3-25-75		TITLE
MATERIAL		PROD. J. Gales 3-25-75		MODULE UTILIZATION
FINISH		NEXT HIGHER ASSY.		RH20-DTE20
SCALE		MATERIAL		E-UA-KLI0-0-0
SHEET 1 OF 1		SIZE		D MU KLI0-0-RHDT
		DIST.		

REV. NUMBER D MU KLI0-0-RHDT

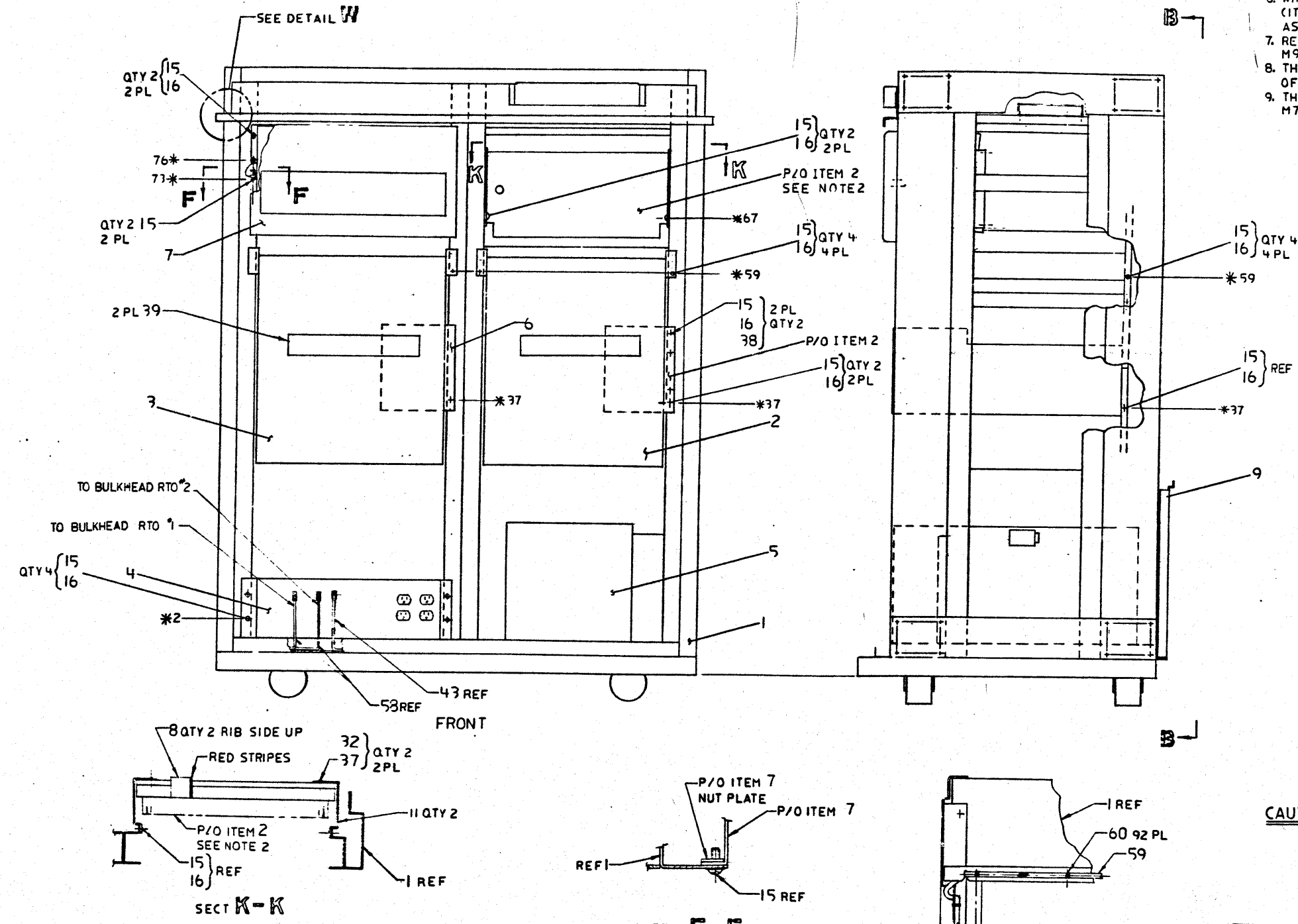
MR



PROVIDE THE FOLLOWING INFORMATION ON ALL DRAWINGS:  
 NAME OF THE MANUFACTURER OR MAKE OF THE MATERIALS TO BE USED.  
 PERMITS TO BE OBTAINED FROM THE MANUFACTURER OR MAKE OF THE MATERIALS TO BE USED.

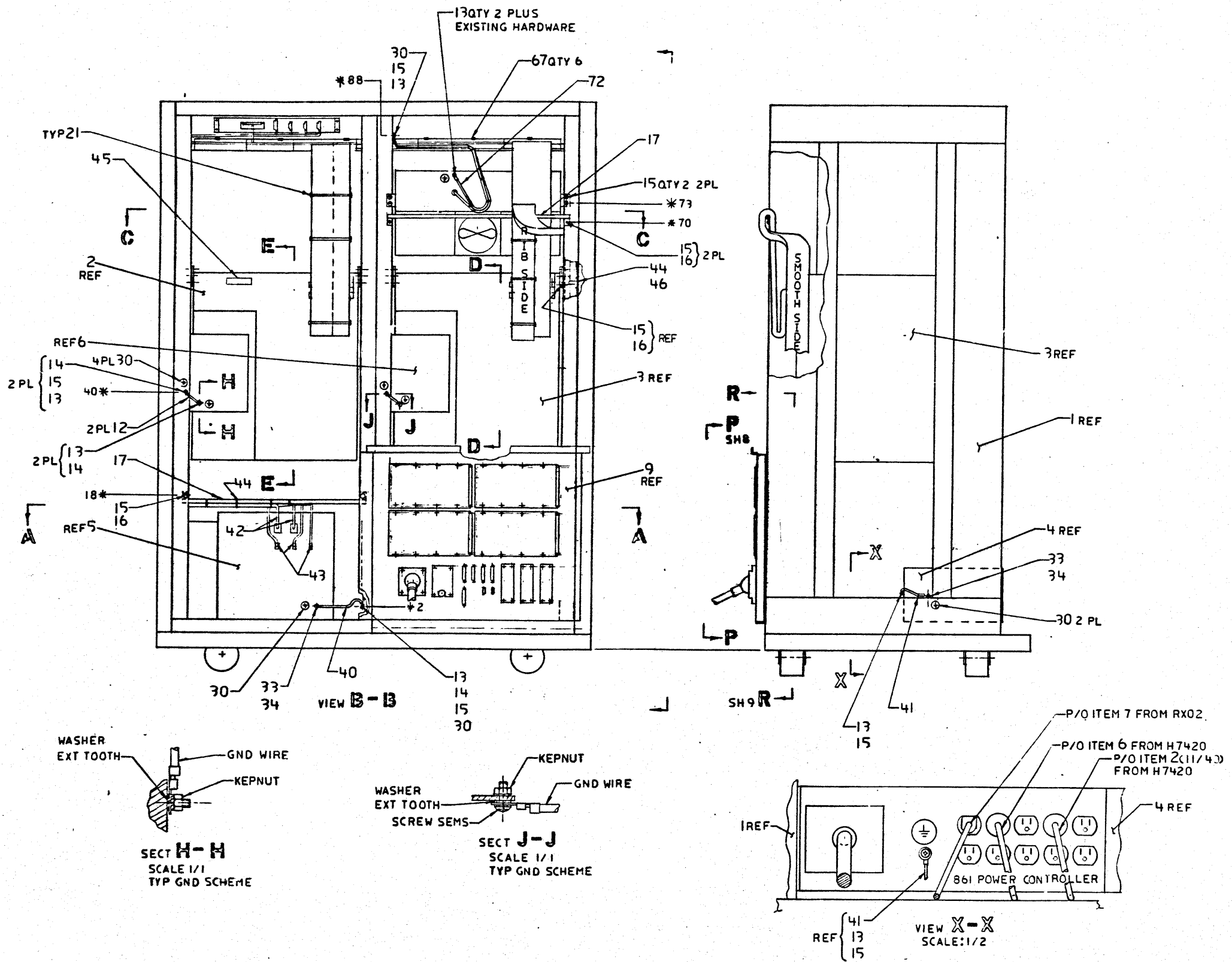
LEGEND		
PART NO.	REV	VARIATION
7020327-01	A1	AS SHOWN

- NOTES
1. ALL HOLE COUNTS ARE FROM BOTTOM. BOTTOM HOLE IS HOLE NO. 0. ALL HOLE LOCATIONS ARE DESIGNATED BY \*
  2. THE KYII-D IS REMOVED FROM ITEM 3 AND MOUNTED AS SHOWN. INTERCONNECTING CABLES ARE REPLACED WITH ITEM 8.
  3. CUT POWER CORD ON 861-D TO 200 IN. LONG REMOVE TWIST LOCK CONNECTOR AND INSTALL ON REMAINDER OF POWER CORD. SEE DETAIL L-L FOR WIRING.
  4. DECAL ITEM 55 IS ON ONE SHEET BUT IS MADE UP OF 5 SEPERATE DECALS. PEEL OFF 5 PIECES AND ATTACH WHERE SHOWN.
  5. BC085-10 CABLES (P/O ITEM 57) CAN COME WITH OR WITHOUT STRIPES. THE SMOOTH (SHIELD) SIDE MUST BE AWAY FROM THE MODULE IN THE CH11 BACKPLANE AND UP ON THE H3007 DISTRIBUTION.
  6. WHEN INSTALLING (2) DL11-M (ITEM 61) (2) BC27C-09 CABLES (ITEM 76) ARE USED. REMOVE THE PANELS (7426407-04) FROM THE ASSEMBLY AND INSTALL THE CABLES IN THE BULKHEAD.
  7. REMOVE ALL M920 JUMPERS AND REPLACE WITH M9202 JUMPERS (ITEM 75).
  8. THE M930 TERMINATOR WILL GO IN SLOT A804 (OR A809) OF THE LAST OPTION THAT IS INSTALLED.
  9. THE RX02-BAC (ITEM 7) MUST HAVE S1=ON AND S2=OFF ON THE M7744 MODULE TO RUN IN RX01 MODE.



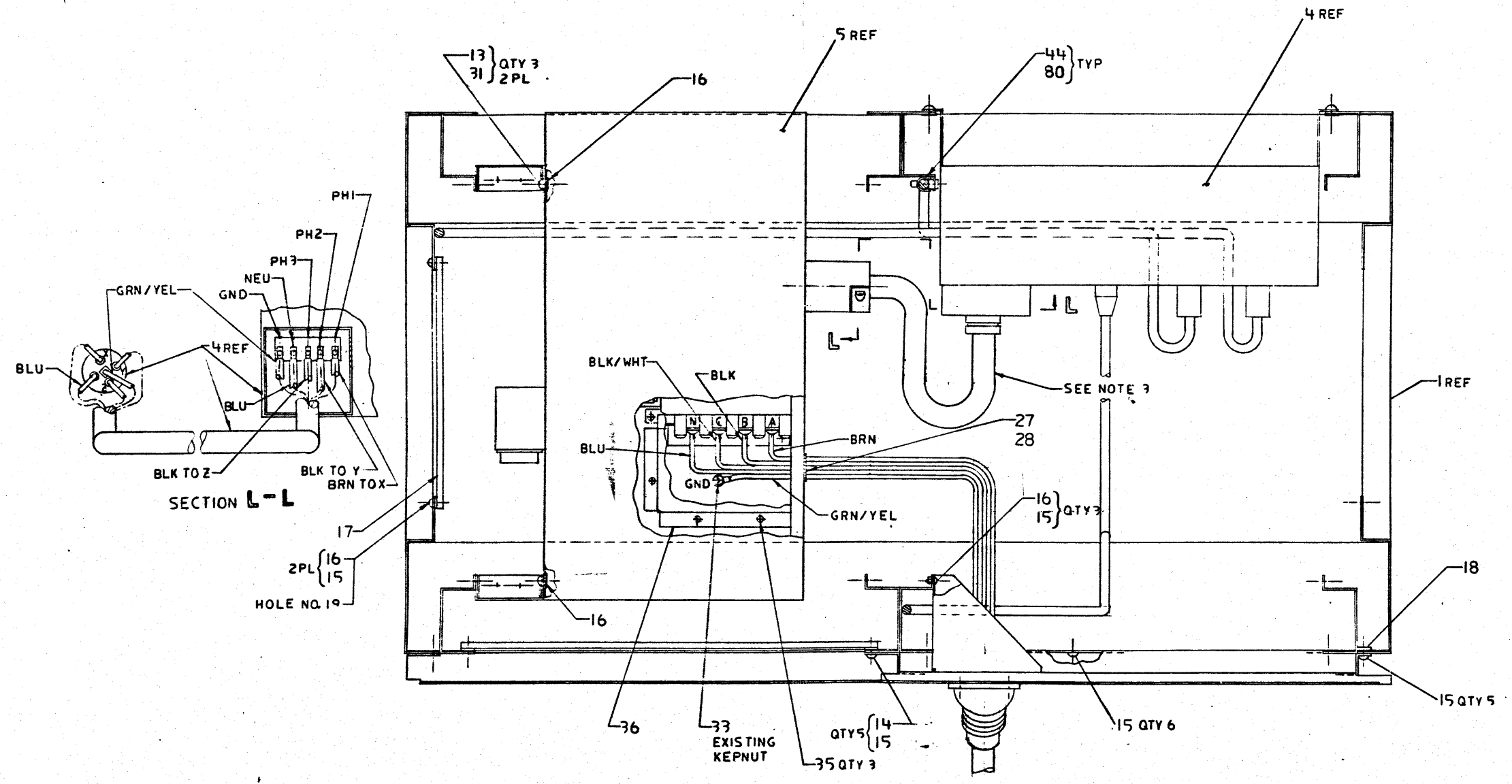
CAUTION: OFF SHEETS PARTS LIST EXISTS  
 SEE K-PL-7020327-0-DBP

DESCRIPTION		DRAWING NO.		PART NO.		ITEM NO.	
UNLESS OTHERWISE SPECIFIED DIMENSIONS ARE IN INCHES AND THE FOLLOWING TOLERANCES APPLY (PER DEC STD 114)							
INCHES TOLERANCES	ANGLES ± 0° 30'	DIMENSION RANGE IN INCHES					
		APPLICABLE DIMENSION RANGE	OVER 0.2 TO 1.2	OVER 1.2 TO 3.0	OVER 3.0 TO 6.0	OVER 6.0 TO 12.0	OVER 12.0 TO 100.0
± .1	SURFACE QUALITY	± .004	± .008	± .012	± .016	± .020	± .024
± .005		± .008	± .012	± .016	± .020	± .024	± .028
QUANTITY & VARIATION	THIRD ANGLE PROJECTION	DATE	DATE	DATE	DATE	DATE	DATE
DO NOT SCALE DRAWING	DO NOT SCALE DRAWING	DESIGNED BY J. HUSON	DATE 2 OCT 82	TITLE	digital		
REMOVE BURRS AND BREAK SHARP CORNERS	REMOVE BURRS AND BREAK SHARP CORNERS	DRAWN BY P. SCOTT	DATE 12 SEP 83	FRONT END CABINET ASSY			
SEE PARTS LIST	SEE PARTS LIST	CHECKED BY [Signature]	DATE 15 SEP 83	DOCUMENT NUMBER			
NOISE	NOISE	APPROVED BY [Signature]	DATE 15 SEP 83	EAD7020327-0-0 A			
		SCALE: 1/1		A-KL10-R-G			



REVISION HISTORY		
DATE	ECO NUMBER	REV

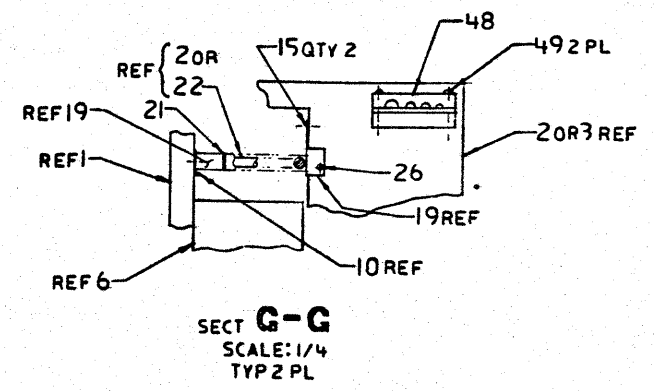
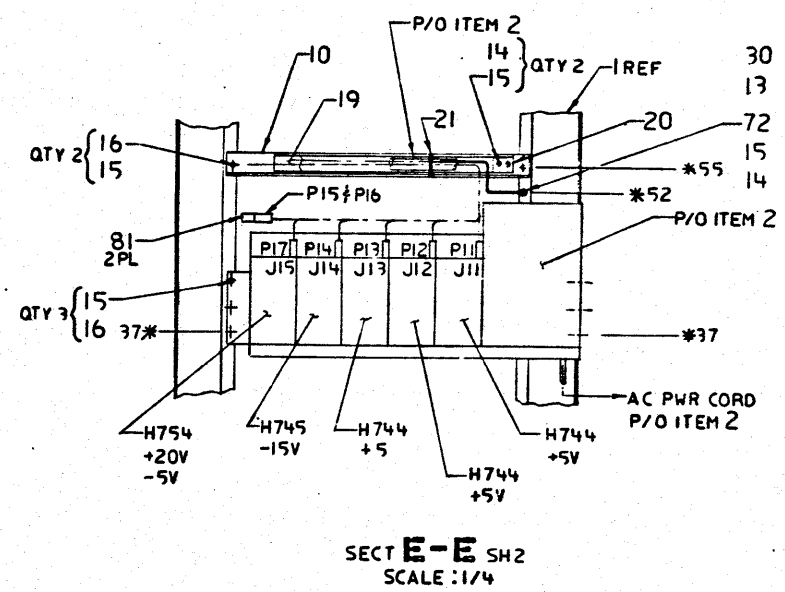
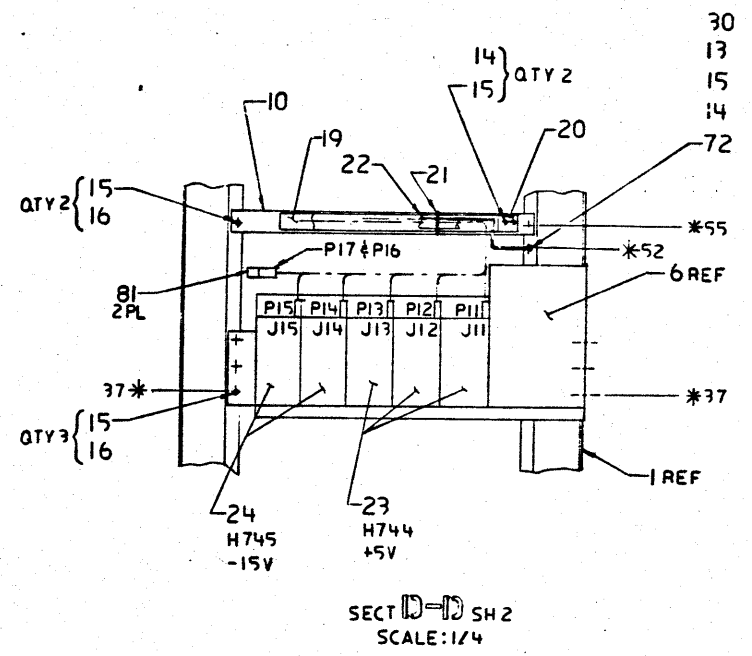
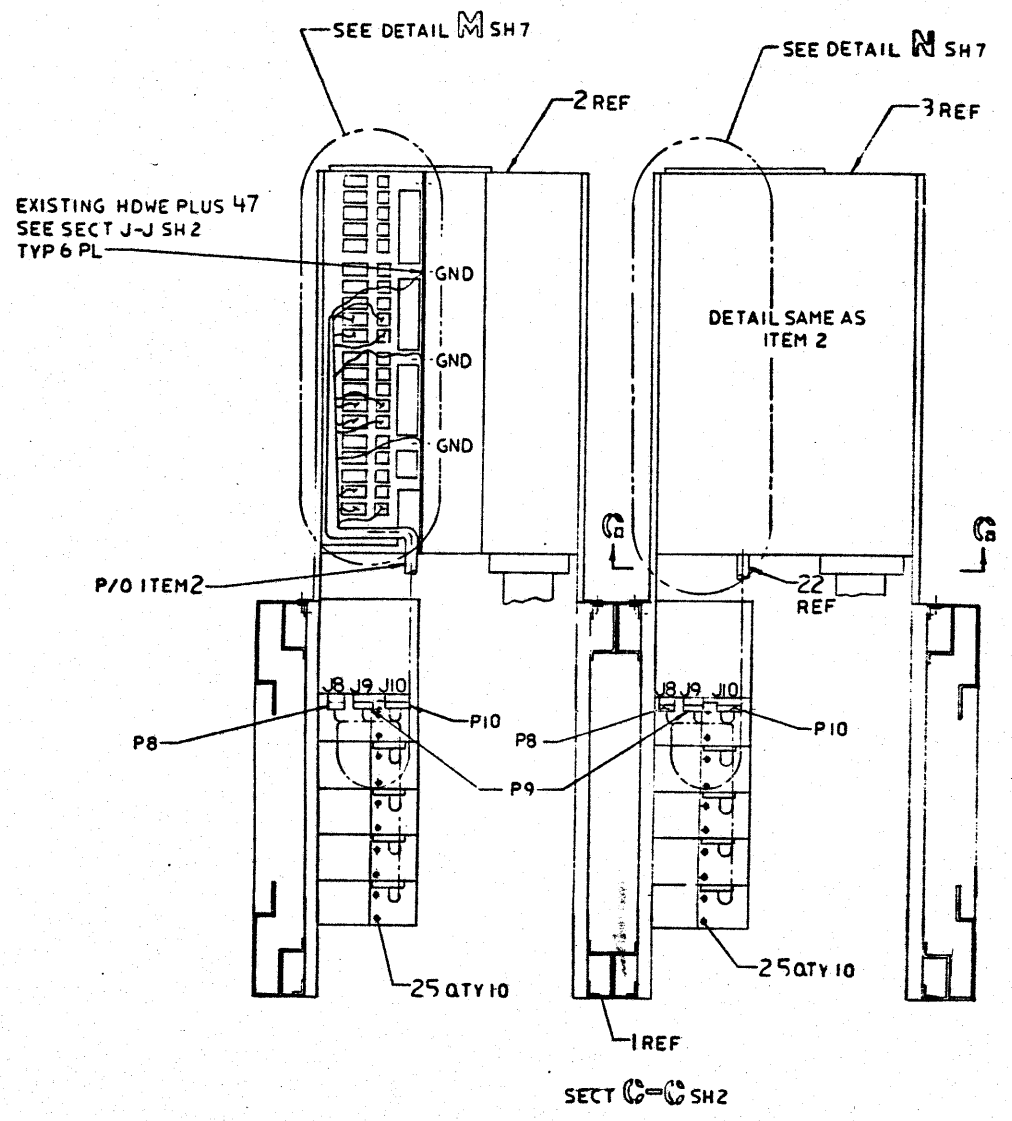




SECTION A-A  
 SCALE: 1/2

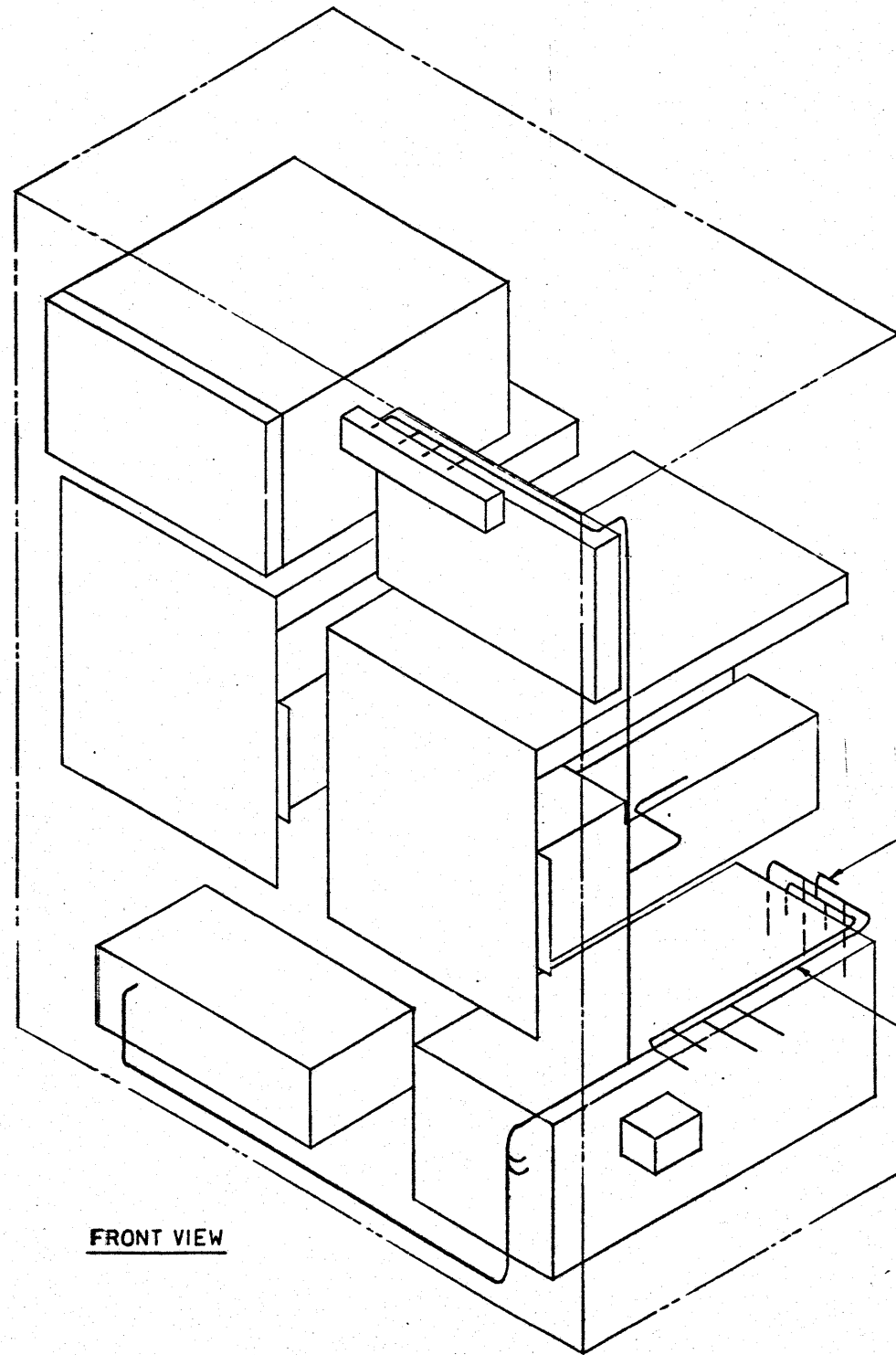
REVISION HISTORY		
DATE	ECO NUMBER	REV

THE DRAWING AND SPECIFICATIONS HEREIN ARE THE PROPERTY OF DIGITAL EQUIPMENT CORPORATION AND SHALL NOT BE REPRODUCED, COPIED OR IN WHOLE OR IN PART, OR THE BASIS FOR THE MANUFACTURE OR SALE OF THIS ARTICLE, WITHOUT THE WRITTEN PERMISSION OF DIGITAL EQUIPMENT CORPORATION.



REVISION HISTORY		
DATE	ECO NUMBER	REV

THIS DRAWING AND SPECIFICATIONS HEREBY ARE THE PROPERTY OF DODGE EQUIPMENT CORPORATION AND SHALL NOT BE REPRODUCED OR COPIED OR IN ANY MANNER BE MADE THE BASIS FOR THE MANUFACTURE OR SALE OF THIS EQUIPMENT WITHOUT WRITTEN PERMISSION DODGE EQUIPMENT CORPORATION



FRONT VIEW

SEE HARNESS CONNECTION CHART NO. 2 (ITEM 42 REF)

SEE HARNESS CONNECTION CHART NO. 1 (ITEM 43 REF)

REVISION HISTORY		
DATE	ECO NUMBER	REV.

PROPERTY OF DIGITAL EQUIPMENT CORPORATION. THIS DOCUMENT IS UNCLASSIFIED EXCEPT WHERE SHOWN OTHERWISE. IT IS THE PROPERTY OF THE MANUFACTURER AND IS NOT TO BE REPRODUCED OR COPIED IN WHOLE OR IN PART WITHOUT WRITTEN PERMISSION. THE U.S. GOVERNMENT IS AUTHORIZED TO REPRODUCE AND TRANSMIT THIS INFORMATION IN UNLIMITED QUANTITIES NOTWITHSTANDING ANY RIGHTS OF THE MANUFACTURER WHICH MAY BE CLAIMED.

HARNES CONNECTION CHART NO.1			
ITEM NO.	HARNES TERM POINT	CONNECTION	WITH
43	J1	NEXT HIGHER ASSY(KL10-R)	—
	J2	NEXT HIGHER ASSY(KL10-R)	—
	P1	8610 REMOTE TURN ON	—
	P2	SWITCH PANEL J2	—
	P3	J3	—
	P4	J4	—
	P5	SWITCH PANEL J5	—
	P6	11/40 PROCESSOR SU-3	—
	P7	863-D - J7	—
	P8	J8	—
	P9	J9	—
	P10	J2	—
43	P13	863-D - J13	—

HARNES CONNECTION CHART NO.2			
ITEM NO.	HARNES TERM POINT	CONNECTION	WITH
42	J1	NEXT HIGHER ASSY(KL10-R)	—
	J2	NEXT HIGHER ASSY(KL10-R)	—
	P5	863-D/J5	—
42	P6	863-D/J6	—

CABLE CONNECTIONS

BACKPLANE	CABLE	FROM	TO
DD11-B#2 (ITEM 64)	BC11A-13 (ITEM 69)	SLOT A804	NEXT HIGHER ASSY (KL10-R)
DD11-B #1 (ITEM 64)	7011025 (ITEM 71)	P1 TO BM873-YJ/J1	R2 TO SWITCH PANEL J1
	BC05L-15 (P/O ITEM 7)	RX02-BA (ITEM 7)	M7846 SLOT CDEF03 (DD11 NO. 1)
	BC27C-09 (SEE NOTE 6) (ITEM 76)	M7800 SLOT CDEF02 (P/O ITEM 6)	BULKHEAD (ITEM 9) SEE SH 8
RH11-AB (ITEM 63)	BC06R-12 (ITEM 68)	M5904 SLOT CD04	BULKHEAD RH11 CONNECTOR SLOT A
	BC06R-12 (ITEM 68)	M5904 SLOT CD05	BULKHEAD RH11 CONNECTOR SLOT B
	BC06R-12 (ITEM 68)	M5904 SLOT CD06	BULKHEAD RH11 CONNECTOR SLOT C
MF11-UP (P/O ITEM 2)	BC27C-09 (SEE NOTE 6) (ITEM 76)	M7800 SLOT CDEF09 (P/O ITEM 6)	BULKHEAD (ITEM 9) SEE SH 8
KD11-A (P/O ITEM 2)	BC08R-05 (ITEM 8)	INDICATOR PANEL J2 (P/O ITEM 2)	M7235 SLOT 6 J1
	BC08R-05 (ITEM 8)	INDICATOR PANEL J1 (P/O ITEM 2)	M7231 SLOT 4 J1

11/40 DRAWER

OPTIONAL CABLE CONNECTIONS

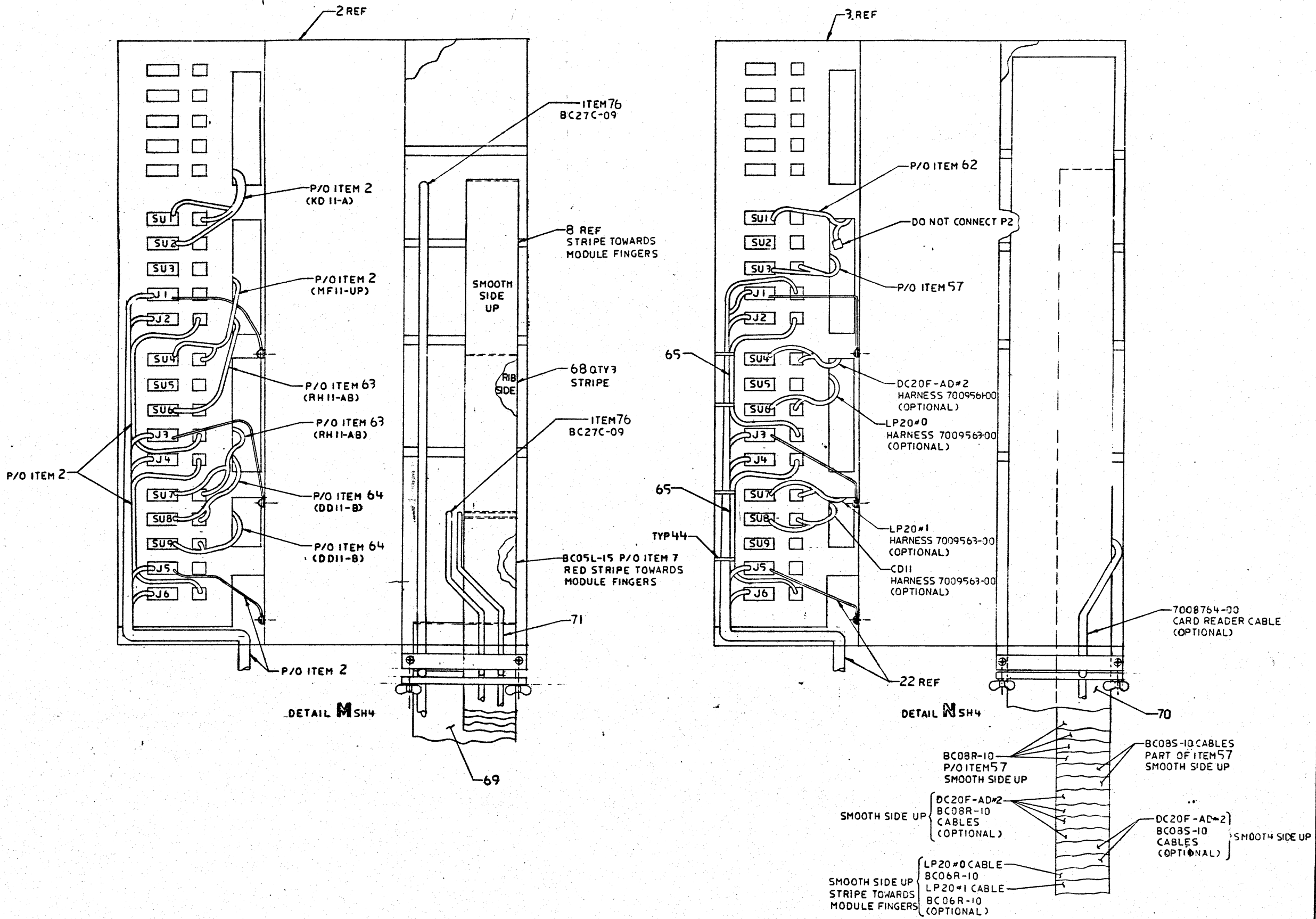
BACKPLANE	CABLE	FROM	TO
DC20F-AD#2	BC08R-10	M7807 SLOT J1	H3007 #4/J10
	BC08R-10	CDEF01	J2 #4/J11
	BC08R-10	M7147 SLOT J1	#3/J10
	BC08R-10	CDEF02	J2 #3/J11
	BC08S-10	M5906 SLOT AB07/J1	#4/J9
LP20#0	BC06R-10	M8571 SLOT 3/J1	LP 20#0 CONNECTOR SLOT B
LP20#1	BC06R-10	M8571 SLOT 3/J1	LP 20#1 CONNECTOR SLOT B
CD11 (CD20)	7008764-00	SLOT B02 (M957)	CARD READER (VIA BULKHEAD)

BACKPLANE	CABLE	FROM	TO
DB11-M (ITEM 62)	BC11A-17 (ITEM 70)	SLOT A801	NEXT HIGHER ASSY (KL10-R)
DC20F-AD#1 (ITEM 57)	BC08R-10 (P/O ITEM 57)	M7807 SLOT J1	H3007 #2/J10
	BC08R-10 (P/O ITEM 57)	CDEF01	J2 H3007 #2/J11
	BC08R-10 (P/O ITEM 57)	M7147 SLOT J1	H3007 #1/J10
	BC08R-10 (P/O ITEM 57)	CDEF02	J2 H3007 #1/J11
	BC08S-10 (P/O ITEM 57)	M5906 SLOT AB07/J1	H3007 #2/J9
	BC08S-10 (P/O ITEM 57)	M5906 SLOT AB07/J2	H3007 #1/J9

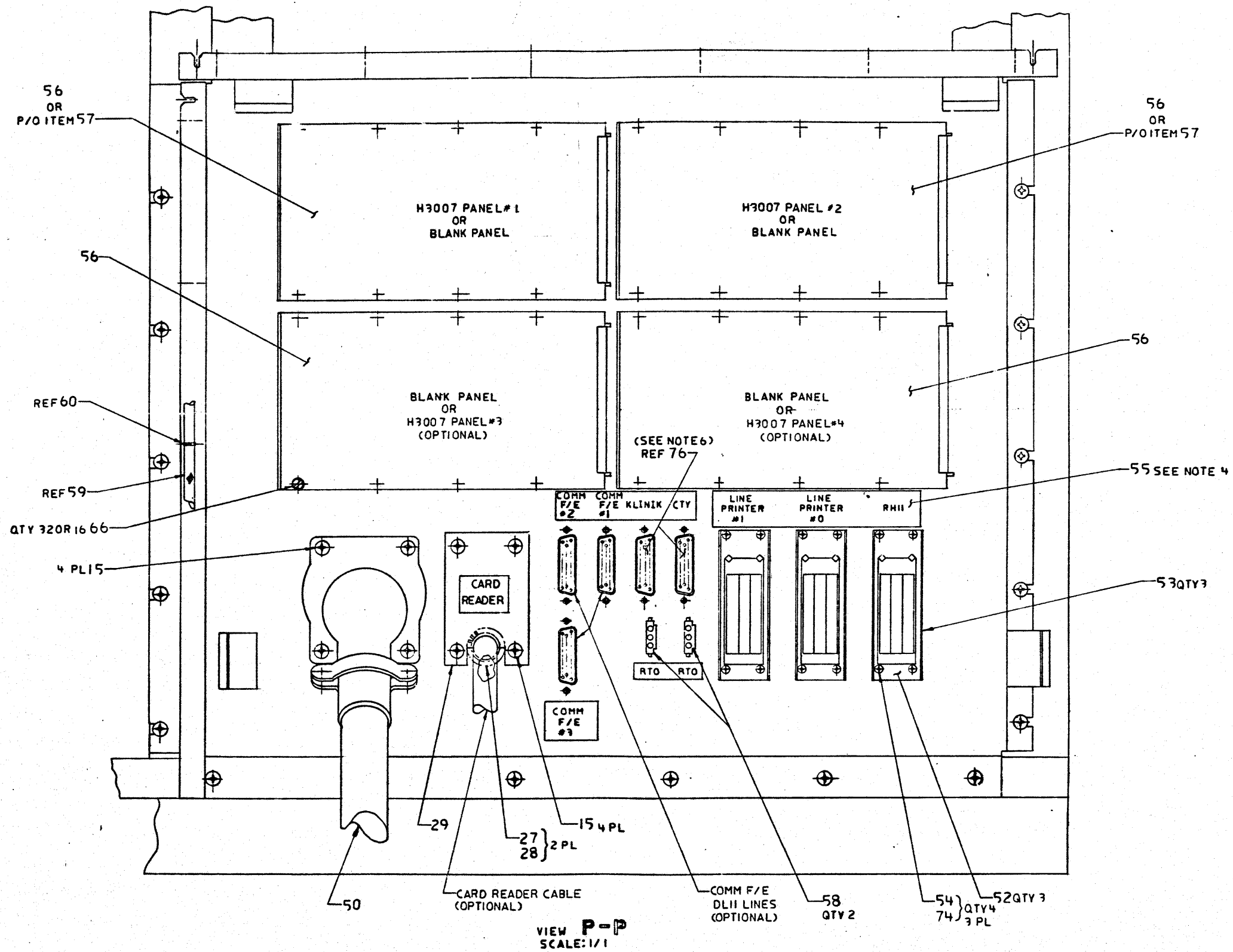
EXPANSION DRAWER

REVISION HISTORY		
REV.	ECO NUMBER	DATE

THIS DRAWING AND THE SPECIFICATIONS CONTAINED HEREIN ARE THE PROPERTY OF THE UNITED STATES GOVERNMENT AND ARE NOT TO BE REPRODUCED OR TRANSMITTED IN ANY FORM OR BY ANY MEANS, ELECTRONIC OR MECHANICAL, INCLUDING PHOTOCOPYING, RECORDING, OR BY ANY INFORMATION STORAGE AND RETRIEVAL SYSTEM, WITHOUT PERMISSION IN WRITING FROM THE FEDERAL BUREAU OF INVESTIGATION.

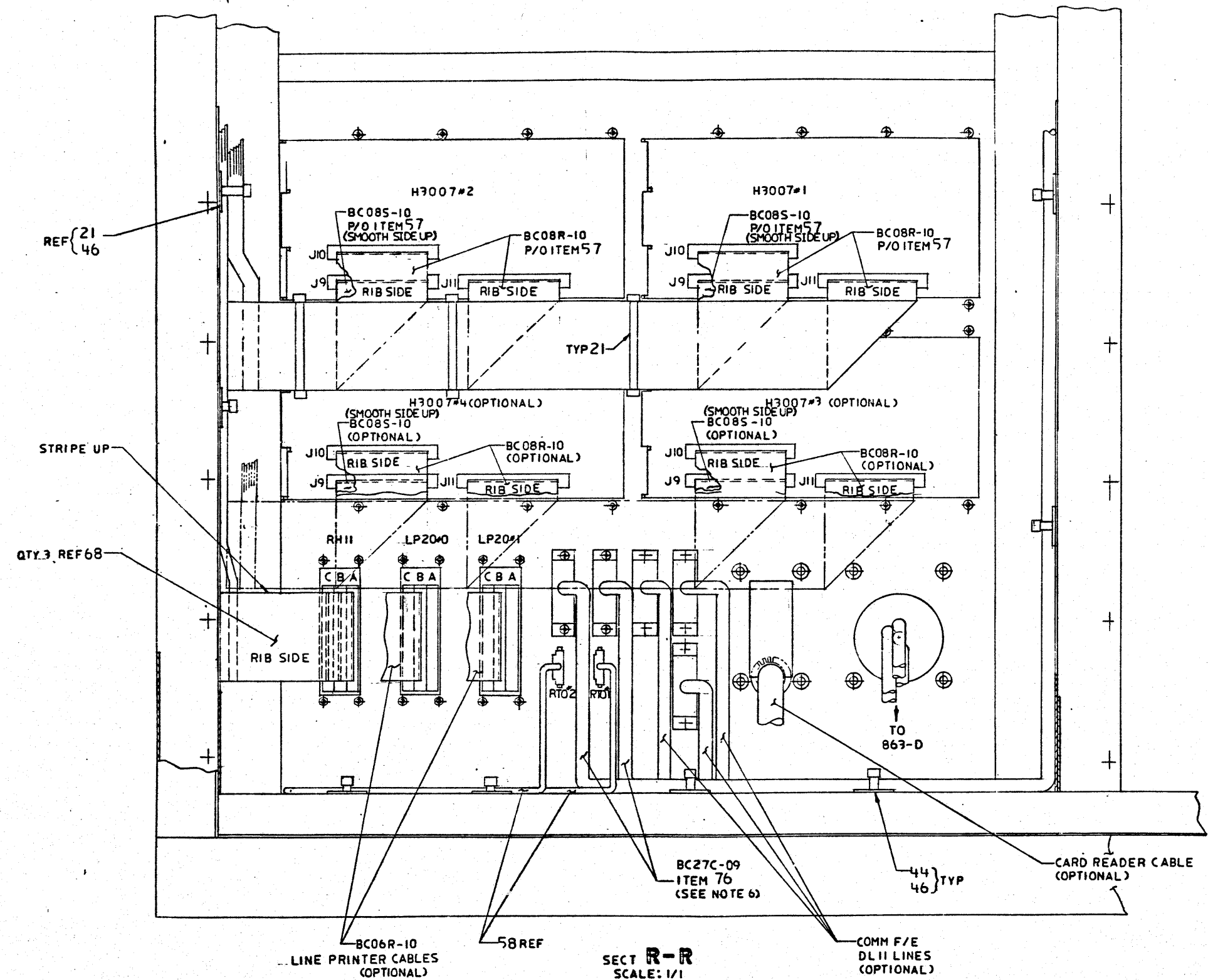


REV	ECO NUMBER	DATE



REVISION HISTORY		
DATE	ECO NUMBER	REV

ALL DIMENSIONS ARE IN INCHES UNLESS OTHERWISE SPECIFIED. DIMENSIONS FOR THE FRONT END CABINET ASSY ARE BASED ON THE ASSUMPTION THAT THE FRONT END CABINET ASSY IS MOUNTED ON A RIB SIDE. DIMENSIONS FOR THE FRONT END CABINET ASSY ARE BASED ON THE ASSUMPTION THAT THE FRONT END CABINET ASSY IS MOUNTED ON A RIB SIDE.



SECT R-R  
SCALE: 1/1

REV.	ECO NUMBER	DATE

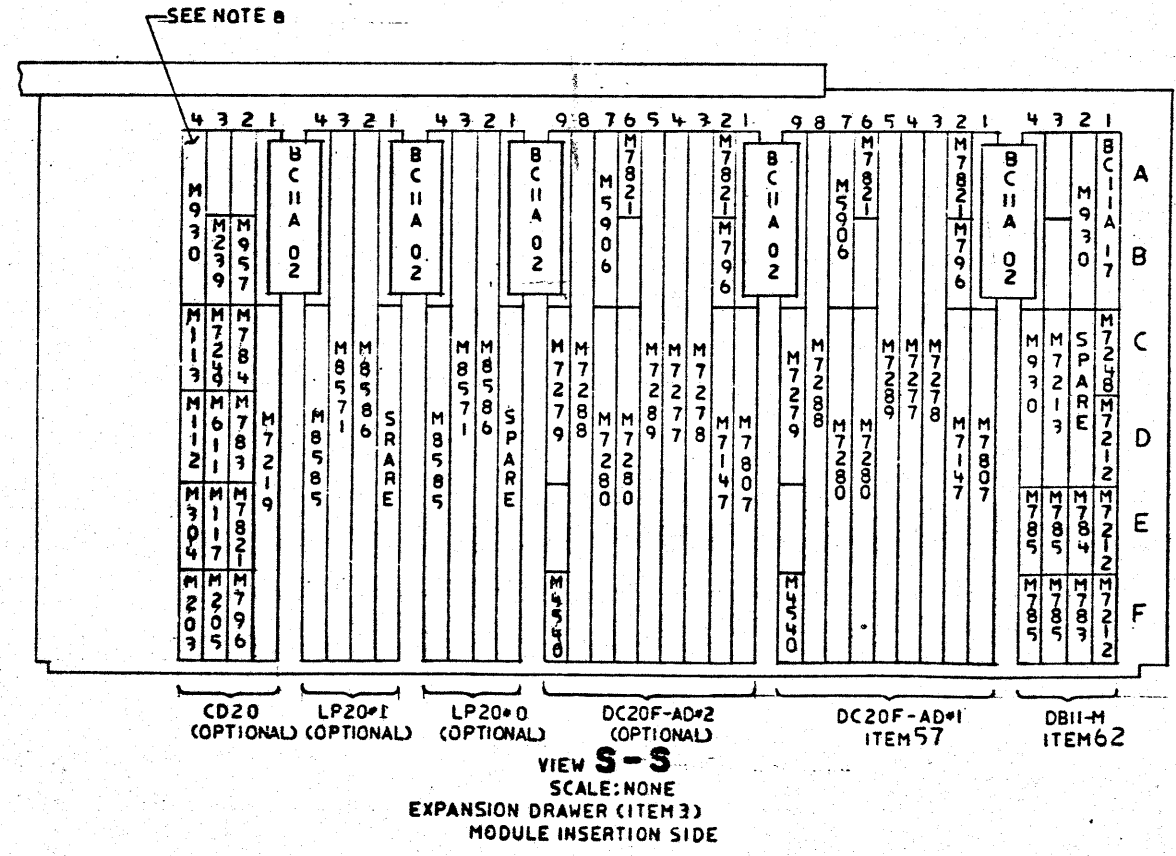
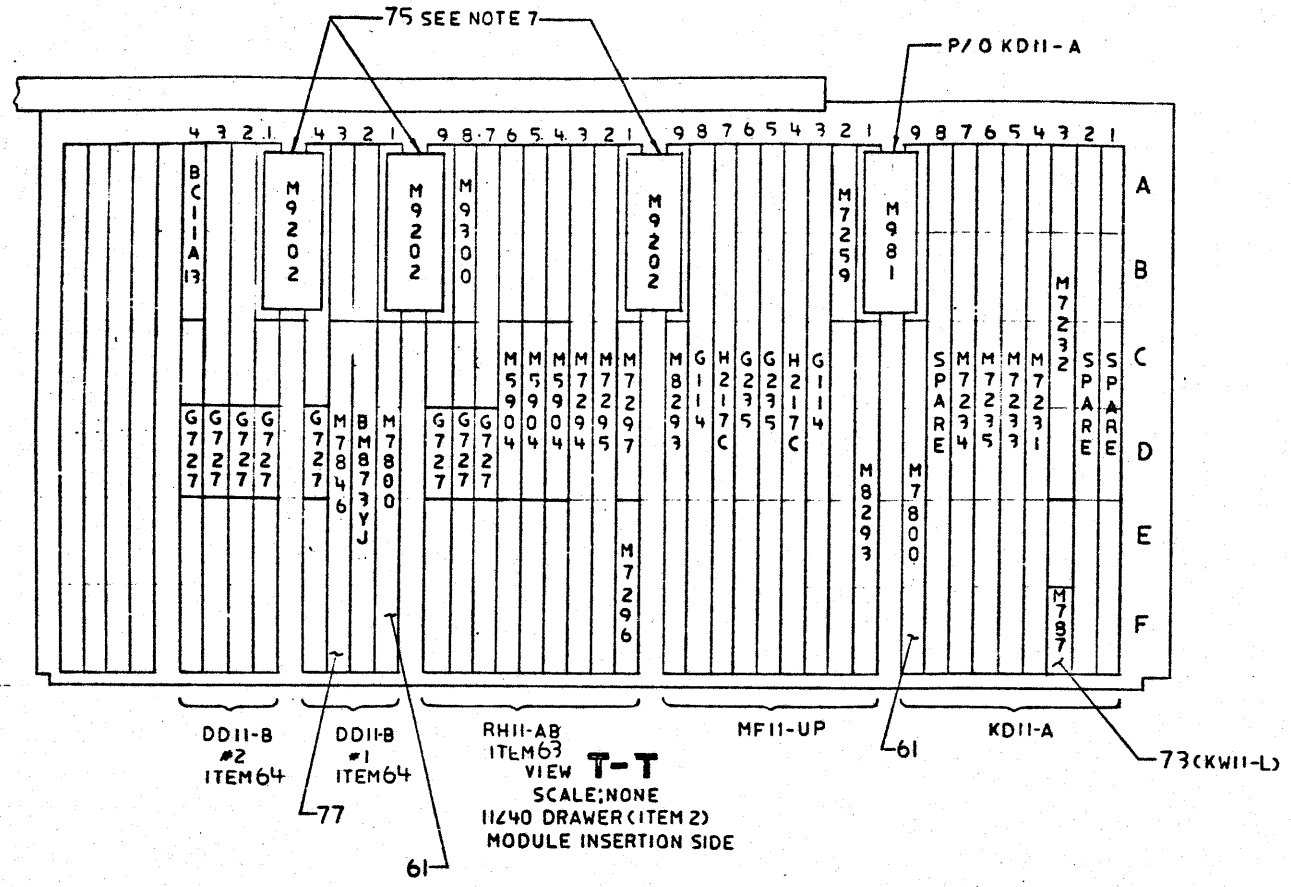
TITLE FRONT END  
CABINET ASSY

REV.	ECO NUMBER	DATE

DOCUMENT NUMBER  
AD 7020327-0-0  
SCALE 1/4 SHEET 9 OF 11

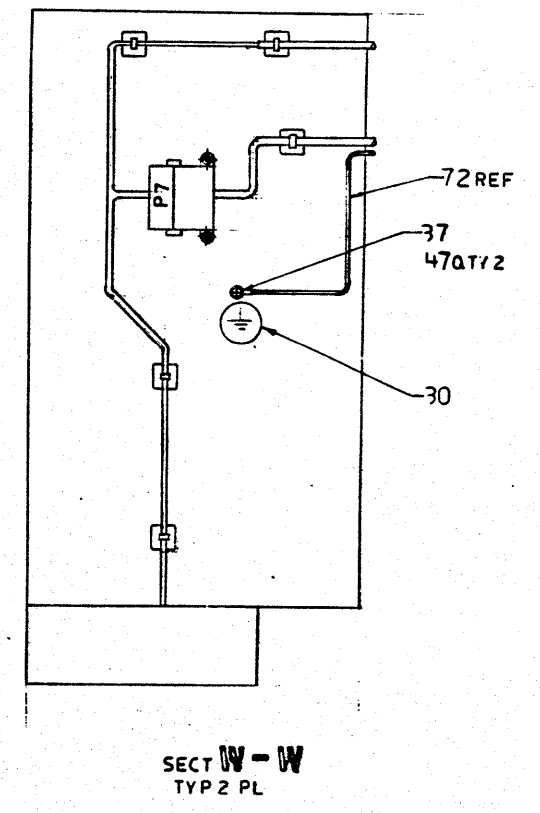
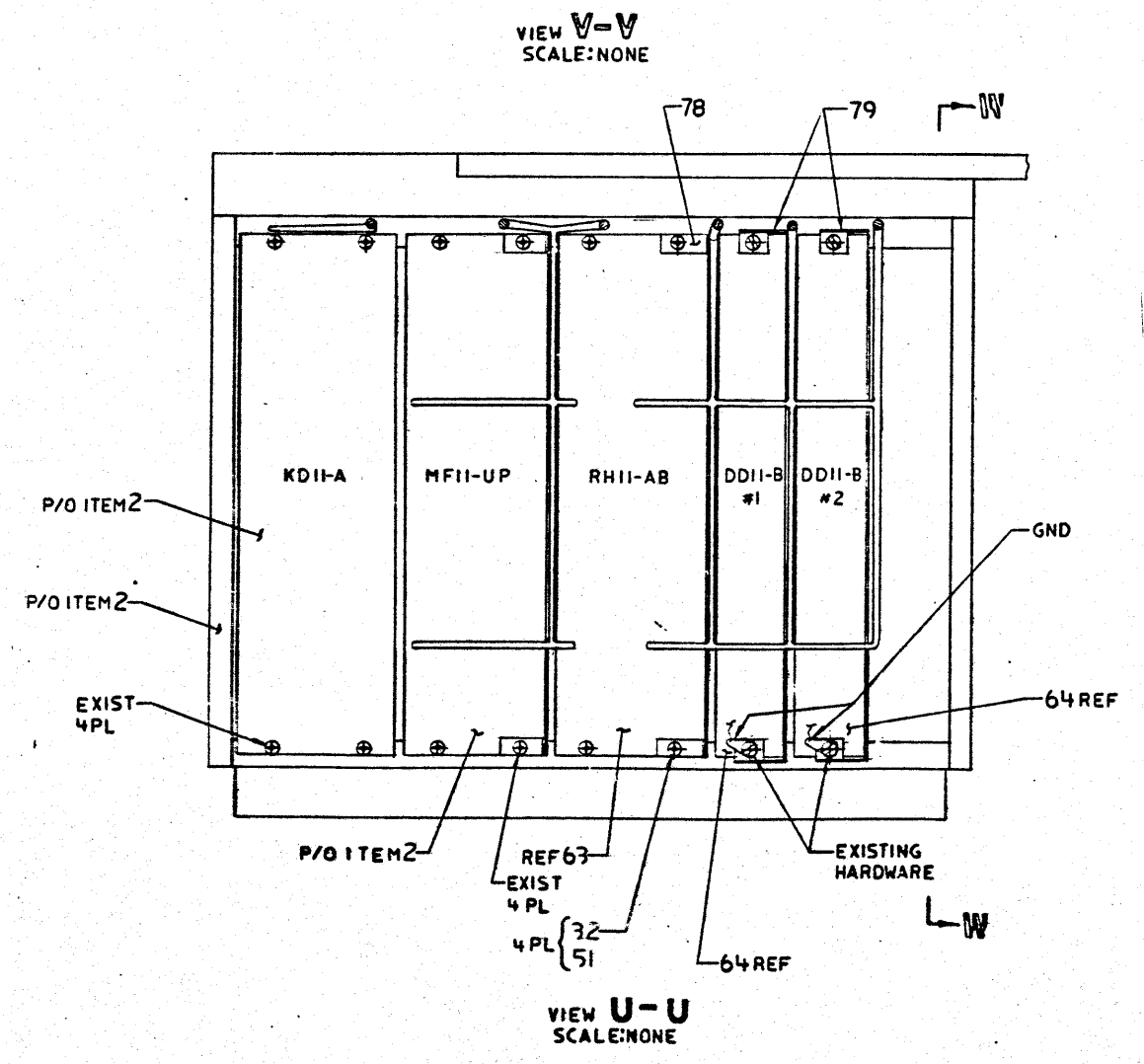
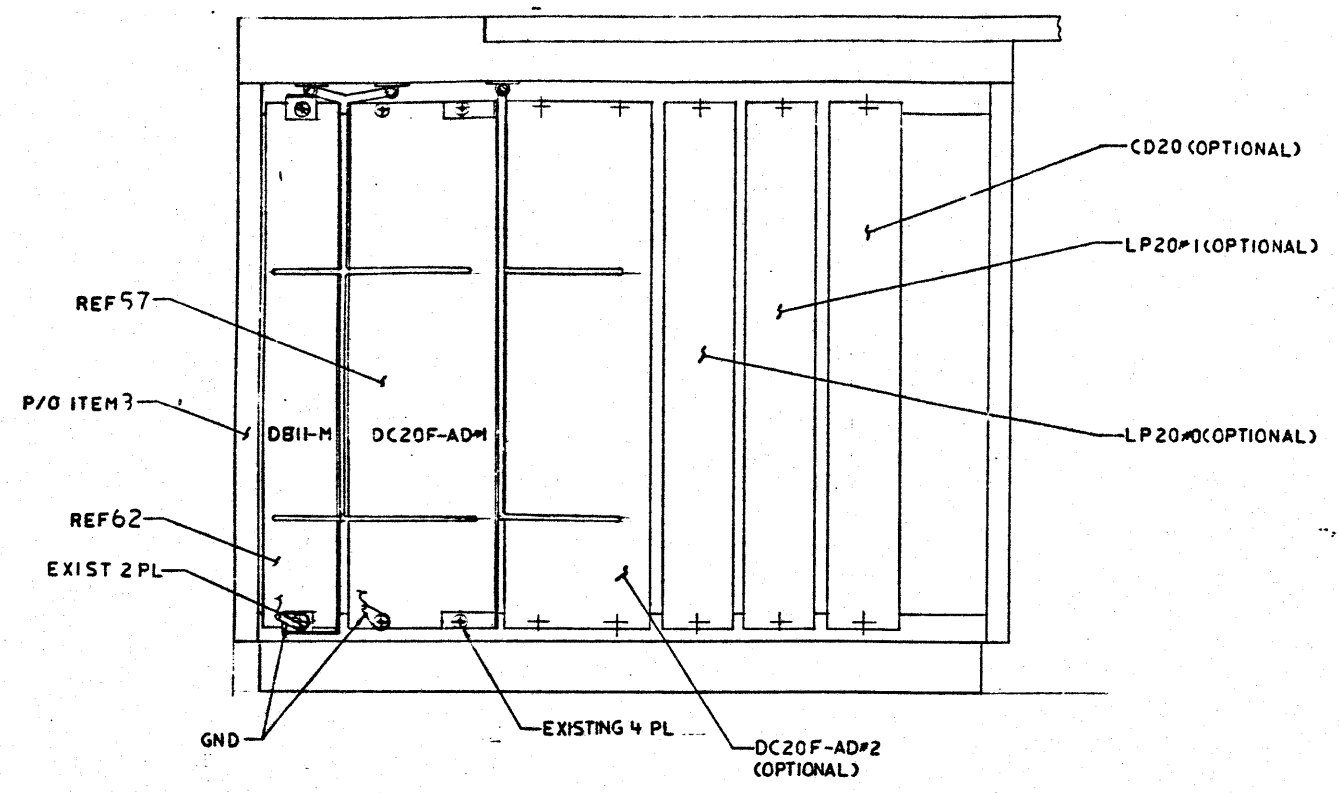


THIS DRAWING AND THE SPECIFICATIONS CONTAINED HEREIN ARE THE PROPERTY OF THE COMPANY AND SHALL NOT BE REPRODUCED OR TRANSMITTED IN ANY FORM OR BY ANY MEANS, ELECTRONIC OR MECHANICAL, INCLUDING PHOTOCOPYING, RECORDING, OR BY ANY INFORMATION STORAGE AND RETRIEVAL SYSTEM, WITHOUT THE WRITTEN PERMISSION OF THE COMPANY. THIS IS AN UNCLASSIFIED WORK PROTECTED UNDER THE REPAIRS COPYRIGHT LAWS.



REVISION HISTORY		
REV.	ECO NUMBER	DATE

THIS DRAWING AND THE SPECIFICATIONS CONTAINED HEREIN ARE THE PROPERTY OF THE UNITED STATES GOVERNMENT. IT IS TO BE REPRODUCED OR TRANSMITTED IN ANY FORM OR BY ANY MEANS, ELECTRONIC OR MECHANICAL, INCLUDING PHOTOCOPYING, RECORDING, OR BY ANY INFORMATION STORAGE AND RETRIEVAL SYSTEM, WITHOUT PERMISSION IN WRITING FROM THE UNITED STATES GOVERNMENT. THIS DRAWING IS UNCLASSIFIED AND IS NOT SUBJECT TO RESTRICTIONS UNDER THE FEDERAL COPYRIGHT LAWS.



REVISION HISTORY		
REV.	ECO NUMBER	DATE

AUTOMATED BY PRTLST.5R(52)

PARTS LIST

SHEET A1 OF A3

LINE	ITEM	TOP DOCUMENT	PART NUMBER	MIN REV	DESCRIPTION	QTY	PER	VARIATION
						00	01	
						A1	A1	
1	1	E-AD-7020324-0-DRU	7020324-02		CABINET ASSY, P.E	1	1	
2	2	D-UA-11/40-AP-0	11/40-AP		11/40-AK,MM11-UP,120V	1	1	
3	3	E-UA-BA11-FB-0	0BA11-FB		MOUNT BOX EXPANSION 11/40	1	1	
4	4	E-UA-861-D-0	00861-D		120VAC 24A 3 PHASE POWER CONTROL	1	1	
5	5	E-UA-863-D-0	00863-D		863-A W 3 PHASE UNSWITCHED OUTLE	1	1	
6	6	E-UA-H7420-A-0	H7420-A		POW SUPPLY HI POW H742-A 115V	1	1	
7	7	E-UA-RX02-0-0	ORX02-BA	A	DUAL FLOPPY DISK SYSTEM,1024KB,1	1	1	
8	8	C-UA-BC08R-0-0	BC08R-06		H856-H856 3M CABLE(6")	2	2	
9	9	E-IA-7020382-0-0	7020382-00		BULKHEAD WELDMENT F.E.	1	1	
10	10	D-MD-7409445-0-0	7409445-00		BRACKET, HARNESS SUPPORT	2	2	
11	11	D-MD-7411583-0-0	7411583-00	A	BRKT BEZEL MTG (DC76)	2	2	
12	12	C-IA-7013059-0-0	7013059-02		GROUND STRAP	2	2	
13	13		9007651-00	B	WASHER,LOCK EXTERNAL STEEL	17	17	
14	14		9006565-00	C	NUT,HEX EXT TOOTH LCKWSHR 10-32	16	16	
15	15		9009700-00	A	SCREW,SEMS TRUSS PHIL 10-	139	139	
16	16		9007786-00	F	RETAINER,U-NUT 10-32X	72	72	
17	17	C-IA-7406572-0-0	7406572-00		ALTERNATE MEMORY RETAINER	3	3	
18	18	C-IA-7429497-0-0	7429497-01		PLATE,NUT	1	1	
19	19	D-IA-7409446-0-0	7409446-00		HARNESS, SUPPORT	2	2	
20	20	B-MD-7409447-0-0	7409447-00	A	PLATE, SUPPORT	2	2	
21	21		9009617-00	A	TIE,CABLE BUNDL.DIA 0-3"TYPE=101	A/R	A/R	
22	22	E-IA-7009566-0-0	7009566-00		HARNESS 21 IN BOX POWER	1	1	
23	23	E-UA-H744-0-0	0H744-00		POWER REGULATOR	3	3	
24	24	E-UA-H745-0-0	0H745-00		POWER REGULATOR	2	2	
25	25		9009228-10	A	SCREW,SEMS PAN PHIL 10-	20	20	
26	26		9006024-03	A	SCREW,MACH TRUSS PHIL 6-	2	2	
27	27		9007036-00	B	GROMMET,CATERPILLAR POLYAMIDE	A/R	A/R	
28	28		9007594-00	A	ADHESIVE,NEOPRENE	A/R	A/R	

REVISION HISTORY			BASIC PART NO: 7020327							
ENG:	ECO NUMBER	REV	SECTION A OF A	DRN:	VICKY GUTBIER	DATE:	02-AUG-83	D I G I T A L		
---	INITIAL	IA	SECTION.VARIATION INDEX	CHK'D:	JEFF HUSON	DATE:	02-AUG-83	TITLE PARTS LIST		
			CAJ00,01					F/E CABINET ASSEMBLY		
			[B]	DES.ENG:	ROGER SCOTT	DATE:	02-AUG-83	DOCUMENT NUMBER		
			[C]					SIZE CODE	NUMBER	REV
			[D]	RESP.ENG.:	ROGER SCOTT	DATE:	02-AUG-83	K   PL	7020327-0-DBP	A
			[E]	MPG.ENG.:	SUE ALMEIDA	DATE:	02-AUG-83	RELEASE DATE:		
			[F]	ASSEMBLY NUMBER:	E-AD-7020327-0-0	TOP DOCUMENT NUMBER:	K-PL-7020327-0-DBP	FILE NAME:	27443A.PLS	EDIT #
										5

"THIS DRAWING AND THE SPECIFICATIONS CONTAINED HEREIN ARE CONFIDENTIAL AND PROPRIETARY. THEY ARE THE PROPERTY OF DIGITAL EQUIPMENT CORPORATION AND SHALL NOT BE REPRODUCED OR COPIED OR USED IN WHOLE OR IN PART AS THE BASIS FOR THE MANUFACTURE OR SALE OF ITEMS WITHOUT WRITTEN PERMISSION. THIS IS AN UNPUBLISHED WORK PROTECTED UNDER THE FEDERAL COPYRIGHT LAWS."

MRO

PARTS LIST

LINE	ITEM	TOP DOCUMENT	PART NUMBER	MIN REV	DESCRIPTION	QTY PER VARIATION	
						00	01
						A1	A1
29	29	C-MD-7429335-0-DBU	7429335-01	A	PLATE, CABLE COVER	1	1
30	30		3613272-00	B	LABEL, ADH BACK, MYLAR CAP	13	13
31	31		9006231-09	A	SCREW, MACH HEX PLN 10-	6	6
32	32		9006634-00	A	WASHER, LOCK INTERNAL STEEL	8	8
33	33		9006724-00	A	WASHER, LOCK EXTERNAL STEEL	3	3
34	34		9008203-00	A	NUT, HEX EXT TOOTH LCKWSHR 1/4-20	2	2
35	35		9006563-00	A	NUT, HEX EXT TOOTH LCKWSHR 8-32	3	3
36	36	E-MD-7412285-0-0	7412285-00		SHIELD EMI (KL10)	1	1
37	37		9006039-01	A	SCREW, MACH PAN PHIL 8-	6	6
38	38		9006664-00	A	WASHER, FLAT SST	4	4
39	39		3622062-01	A	LABEL, STABILITY 11/780	2	2
40	40	C-IA-7013059-0-0	7013059-01		GROUND STRIP	1	1
41	41	C-IA-7013059-0-0	7013059-08		STRAPGROUND	1	1
42	42	J-IA-7020840-0-0	7020840-01		HARNES FRONT END FAULT INDIC	1	1
43	43	J-IA-7020839-0-0	7020839-01		HARNES FRONT END SWITCH PANEL	1	1
44	44		9007032-00		TIE, CABLE BUNDL. DIA 0-1-3/4"=101	A/R	A/R
45	45		3617674-00	E	LABEL, SERIAL/POWER W/O UL + CSA	1	1
46	46		9008264-00	A	MOUNT, CABLE TIE, ADHESIVE BACKE	A/R	A/R
47	47		9008072-00	A	WASHER, LOCK EXTERNAL STEEL	10	10
48	48		1211215-00	A	CLAMP, CABLE SCREW MNT ACCOM	2	2
49	49		9006045-01	A	SCREW, MACH PAN PHIL 8-	4	4
50	50	D-IA-7020715-0-0	7020715-01		CABLE PRIMARY POWER 60 HZ. KL10R	1	1
51	51		9006043-01	A	SCREW, MACH PAN PHIL 8-	4	4
52	52	D-AD-7009861-0-0	7009861-00	A	RECEPT HOUSING ASSY-RP04	3	3
53	53	C-MD-7428177-0-DBU	7428177-01	A	SHIELD, RECEPTACLE	3	3
54	54		9006013-01	A	SCREW, MACH PAN PHIL 4-	12	12
55	55		3622338-01		LABEL, FRONT END BULKHEAD SET	1	1
56	56	D-MD-7426406-02-DBU	7426406-02	A	PANEL, OCTAL (MASTER)	2	4
57	57	K-PL-DC20F-0-DBP	DC20F-AD		FCC COMPLIANT DC20-AA + DC20-DA	1	-
58	58	C-IA-7021175-0-0	7021175-04		CABLE INTERNAL, RTO	2	2
59	59		1220105-01		GASKET, EMI .25"OD	40	40
60	60		1221535-01	A	CLIP, NYLON FOR RF GASKET	92	92
61	61		ODL11-M		M7800 RS232 FULL MODEM CONTROL E	2	2
62	62	C-UA-DB11-M-0	ODB11-M		UNIBUS REPEATER	1	1
63	63	D-UA-RH11-0-0	ORH11-AB		RS03 CONTROL UP TO 16 DUAL PORT	1	1
64	64	B-DD-DD11-B-0	ODD11-B		CARD CONTROL, MOUNTING PANEL	2	2
65	65	D-IA-7009573-0-0	7009573-C0		HARNES 6 PIN JUMPER	2	2
66	66		1219534-01		SCREW, CAPTV SLOT 4-	16	32
67	67	C-MD-7413983-0-0	7413983-00		CLAMP WIRE BASKET	6	6
68	68	D-UA-BC06R-0-0	BC06R-12		CABLE I/O 12FT (MJ11)	3	3
69	69	D-UA-BC11A-0-0	BC11A-13		M919 TO M929 FLAT MYLAR EXTERNAL	1	1
70	70	D-UA-BC11A-0-0	BC11A-17		CABLE	1	1
71	71	C-IA-7011025-0-0	7011025-00		MAINT CABLE ASSY	1	1
72	72	C-IA-7013059-0-0	7013059-07		GROUND STRIP	3	3
73	73	B-DD-KW11-L-0	OKW11-L		CLOCK LINE FREQUENCY INTERVAL	1	1
74	74		9006688-00	A	WASHER, HELICAL SPLIT SST	12	12

DIGITAL		TITLE	SECTION A OF A		SIZE	CODE	DOCUMENT NUMBER	REV
		F/E CABINET ASSEMBLY			K	PL	7020327-0-DBP	A

MRO

AUTOMATED BY PRTLST.5R(52)

PARTS LIST

SHEET A3 OF A3

LINE	ITEM	TOP DOCUMENT	PART NUMBER	MIN REV	DESCRIPTION	QTY PER VARIATION	
						00	01
						A1	A1
75	75	D-UA-M9202-0-0	M9202-00		CABLE UNIBUS JUMPER	3	3
76	76	D-UA-BC27C-0-0	BC27C-09		9 FT CABLE,BC05C-10,7426407-09 F	2	2
77	77	D-UA-M7846-0-0	M7846-00		RX01 UNIBUS INTERFACE,QUAD	1	1
78	78	D-IA-7010167-0-0	7010167-00		SUPPORT HARNESS (11/40)	1	1
79	79	C-IA-7011960-0-0	7011960-00		SUPPORT HARNESS	2	2
80	80		9007867-00		MOUNT, PUSH,CABLE TIE	A/R	A/R
81	81		1209340-00	F	MATE-N-LOK 08SKT(1X08).	2	2
					HSG		

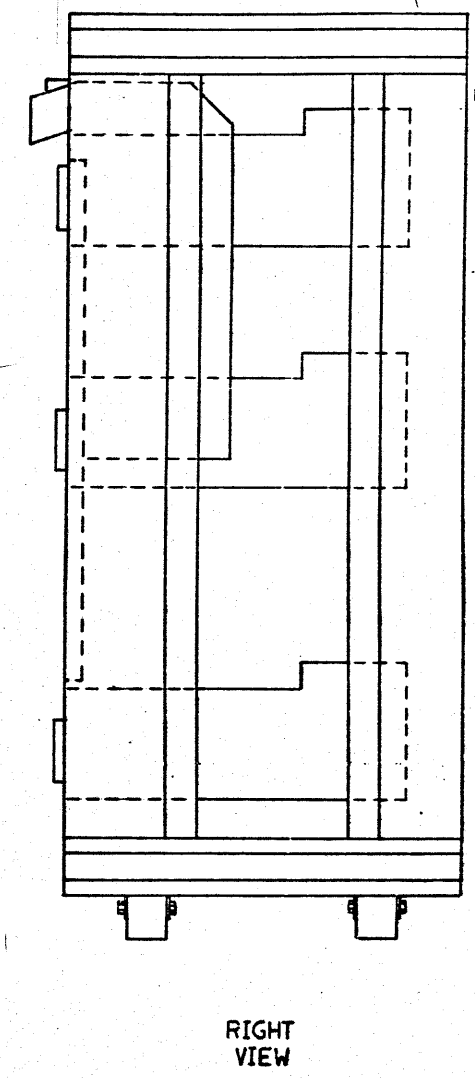
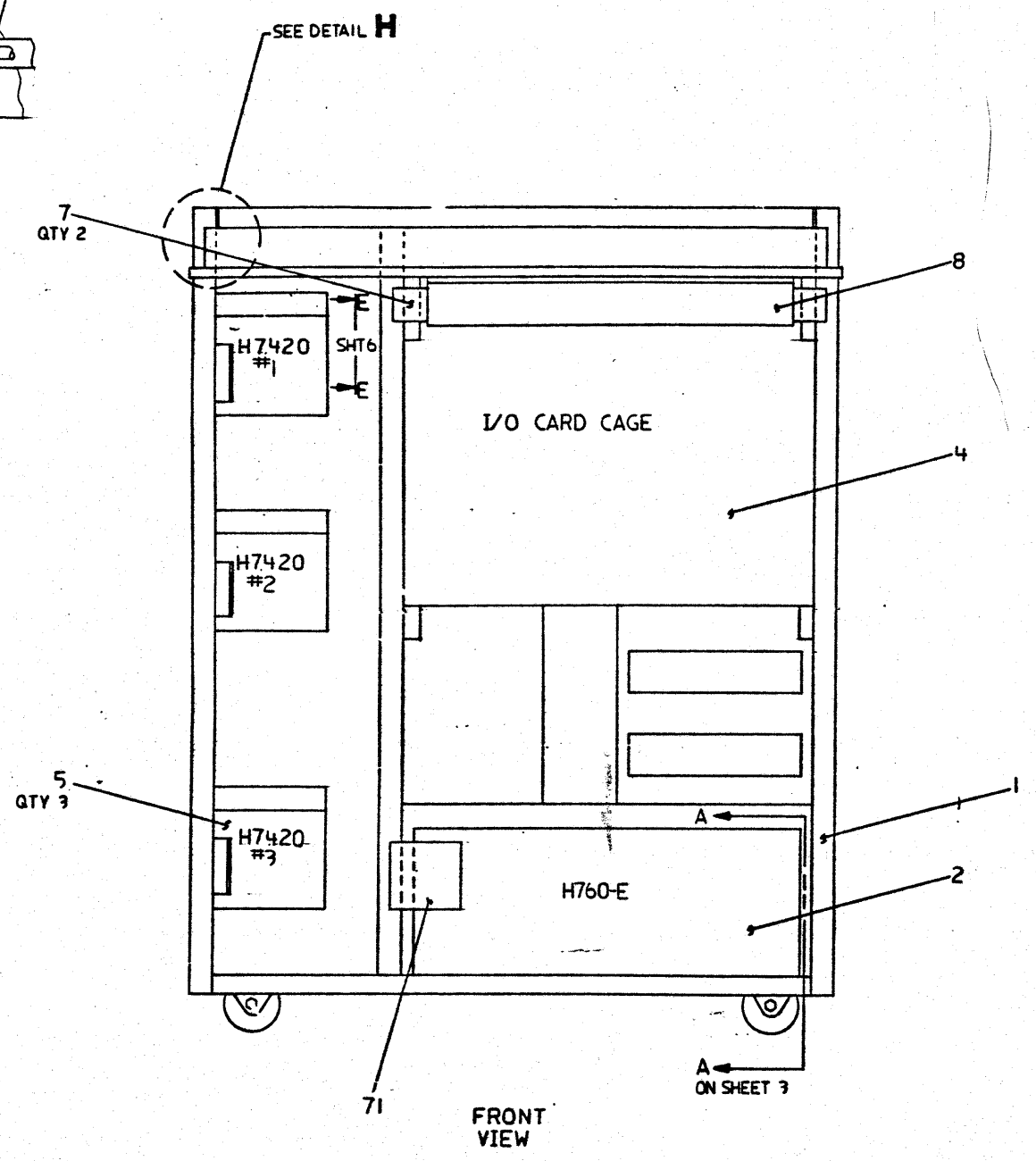
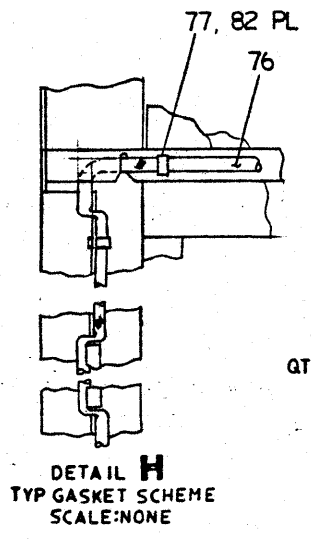
D	I	G	I	T	A	L	TITLE	P/E CABINET ASSEMBLY	SECTION A	OF	A	SIZE	CODE	DOCUMENT NUMBER	REV
												K	PL	7020327-0-DBP	A

MRO

THIS DRAWING AND SPECIFICATIONS HEREIN ARE THE PROPERTY OF DIGITAL EQUIPMENT CORPORATION AND SHALL NOT BE REPRODUCED OR COPIED IN WHOLE OR IN PART AS THE BASIS FOR THE MANUFACTURE OF ANY PARTS WITHOUT WRITTEN PERMISSION OF DIGITAL EQUIPMENT CORPORATION.

LEGEND		
PART NO	VARIATION	REV
7020325-00	AS SHOWN	A1
7020325-01	SAME AS 00 MINUS ALL MEMORY PARTS	A1

- NOTES:
- ALL HOLE LOCATIONS ARE DESIGNATED BY AN ASTERISK - BOTTOM HOLE IS HOLE NO. 0.
  - ALL NINE LABELS FOR THE I/O BULKHEAD ITEM(86) WILL COME ON ONE SHEET, PEEL OFF INDIVIDUAL LABELS AND APPLY WHERE SHOWN. (S H 5)
  - LABEL ALL H7420 POWER CORDS USING BRADY MARKERS AS FOLLOWS:  
 H7420 #1 → 30  
 H7420 #2 → 28  
 H7420 #3 → 29
  - LABEL 2 EXTENSION CORDS ITEM(73) USING BRADY MARKERS AT BOTH ENDS. LABEL ONE CORD 24 (BOTH ENDS) AND THE OTHER 26 (BOTH ENDS)
  - INSTALL JUMPERS ITEM 54 IN THE FOLLOWING PLACES TO IDENTIFY CONTROLLERS.  
 MF20 #1 CONTROLLER NO.10  
 NO JUMPERS  
 MF20 #2 CONTROLLER NO.11  
 JUMPER PIN A4N1 TO GROUND  
 ALSO BOTH MF20'S REQUIRE A JUMPER FROM PIN F7N1 TO GROUND (SIGNAL DESEL (CVC DISABLE))



CAUTION: OFF SHEETS PARTS LIST EXISTS SEE K-PL-7020325-0-DBP

QUANTITY & VARIATION	DESCRIPTION	DRAWING NO.	PART NO.	ITEM NO.
1	I/O CAB ASSEMBLY	7020325-0-0	7020325-0-0	A

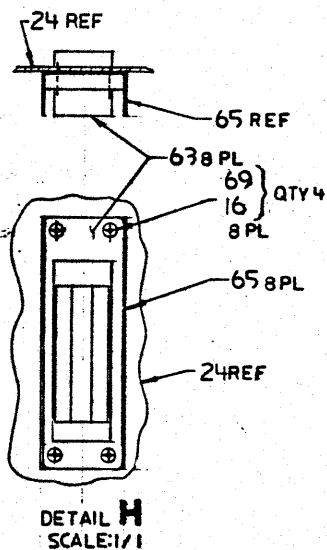
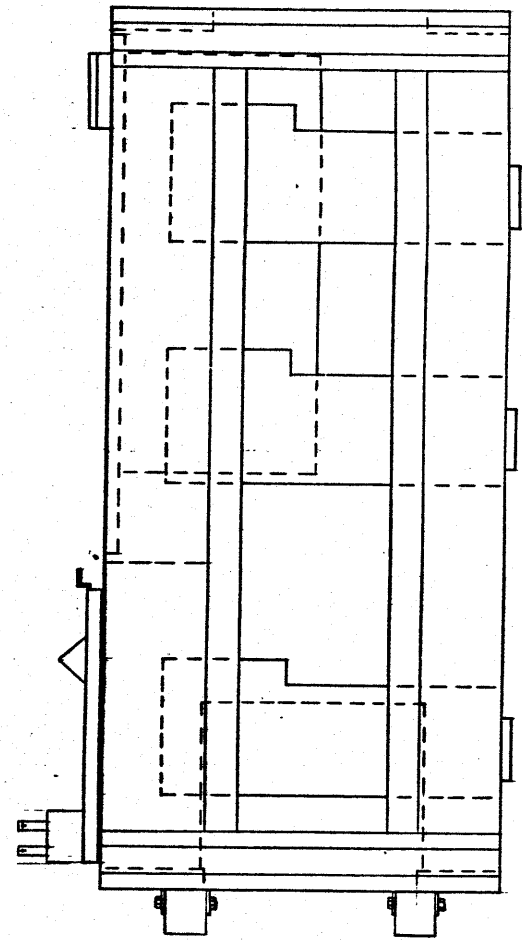
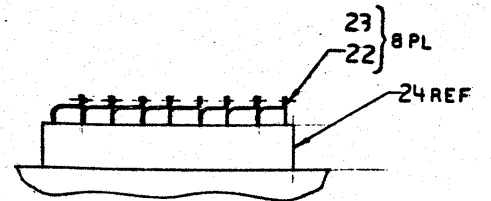
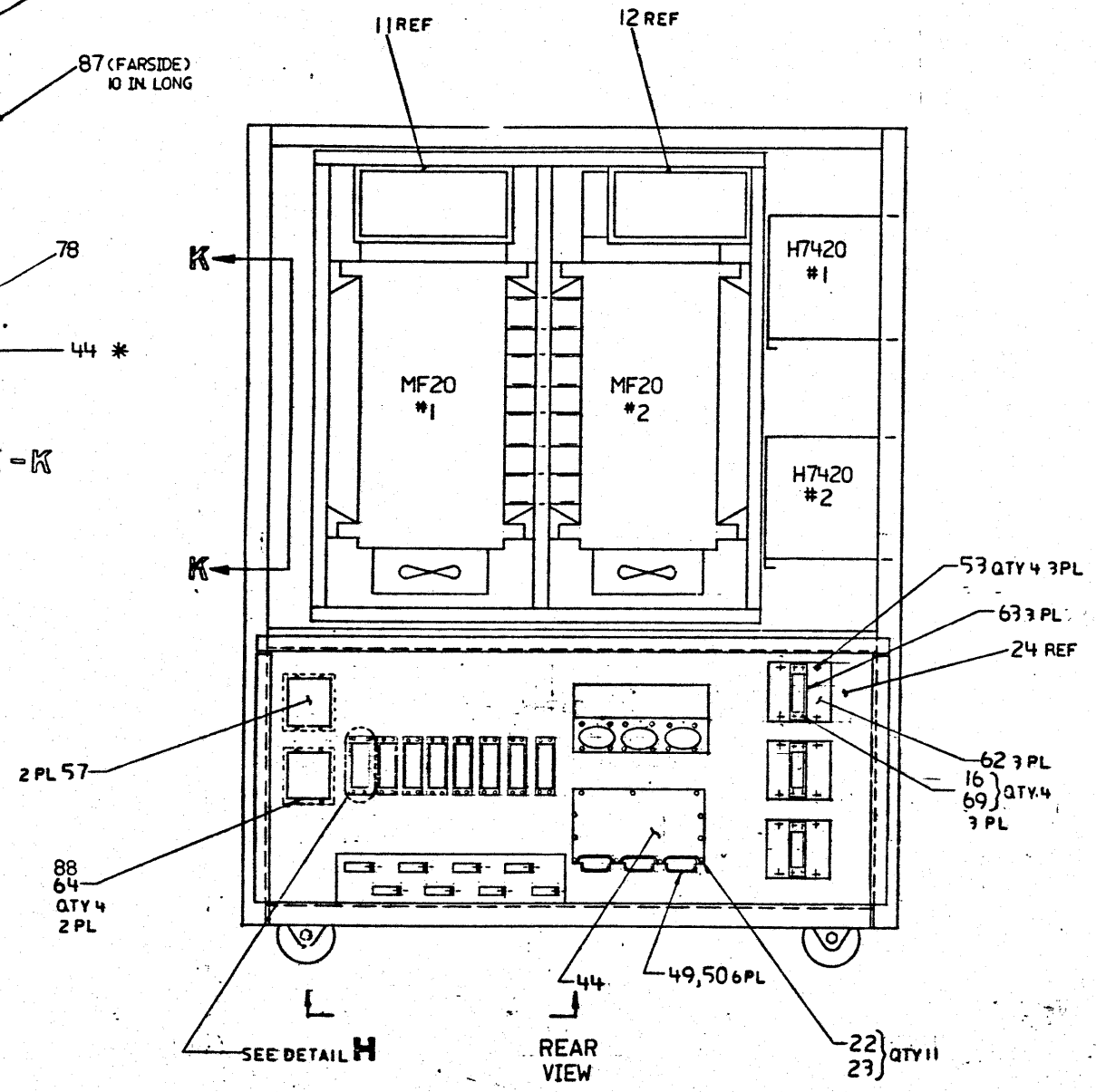
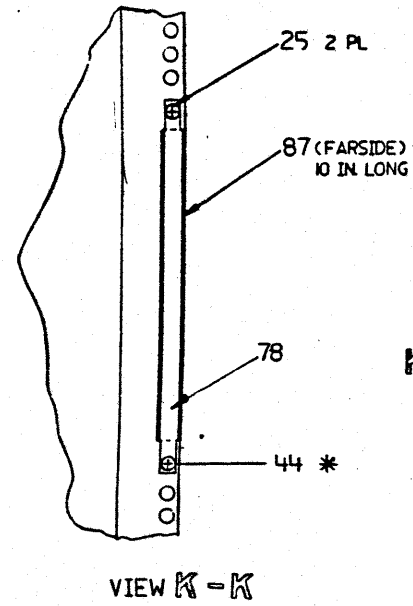
  

INCHES TOLERANCES	ANGLES	APPLICABLE DIMENSIONAL TOLERANCES	DIMENSIONAL RANGE IN INCHES					
J1 = ±.1 J2 = ±.08 J30 = ±.06		10-CHECK ONE <input type="checkbox"/> SURFACE QUALITY	OVER 0 TO 1.2	OVER 1.2 TO 3.0	OVER 3.0 TO 6.0	OVER 6.0 TO 30.0	OVER 30.0 TO 48.0	OVER 48.0 TO 60.0

THIRD ANGLE PROJECTION	DATE 26 APR 82	TITLE I/O CAB ASSEMBLY
DESIGNED BY J. HUSON	DATE 27 MAR 83	
CHECKED BY P. SCOTT	DATE 13 APR 83	
DRAWN BY C. GALLAGHER	DATE 13 APR 83	
MATERIAL SEE PARTS LIST	DATE 27 MAR 83	
FINISH NONE	WORKING DRAWING E-AD-7020325-0-0	DOCUMENT NUMBER E.A. 7020325-0-0 A

THE DESIGN AND SPECIFICATIONS HEREIN ARE THE PROPERTY OF DIGITAL EQUIPMENT CORPORATION AND SHALL NOT BE REPRODUCED, IN WHOLE OR IN PART, OR IN ANY MANNER FOR THE MANUFACTURE OR SALE OF THIS ARTICLE OR ANY SIMILAR ARTICLE.  
 COPYRIGHT © 1983 DIGITAL EQUIPMENT CORPORATION

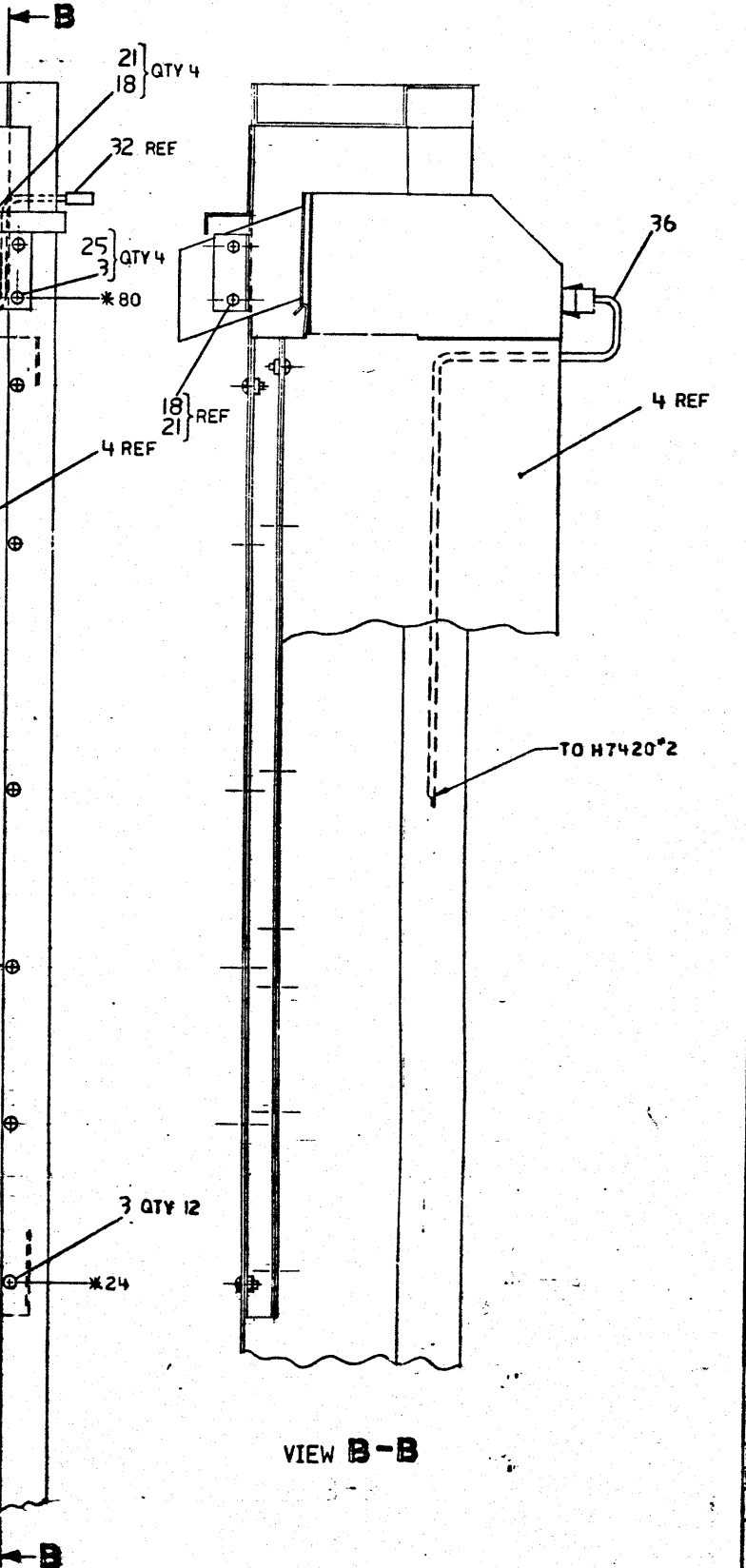
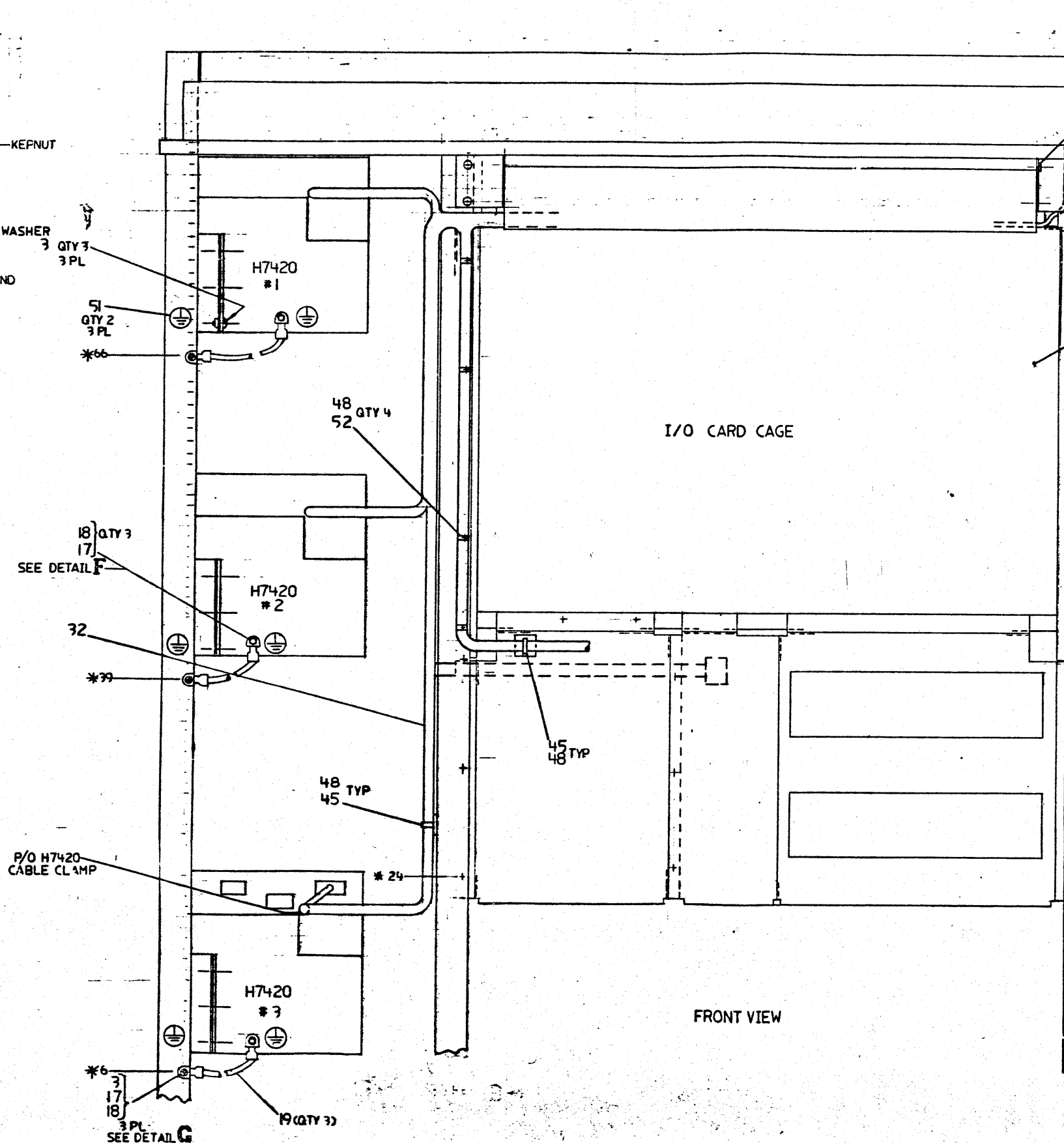
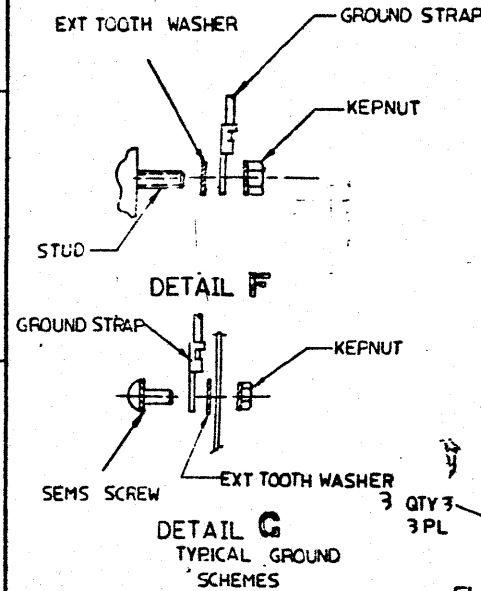


DATE	REV	DESCRIPTION





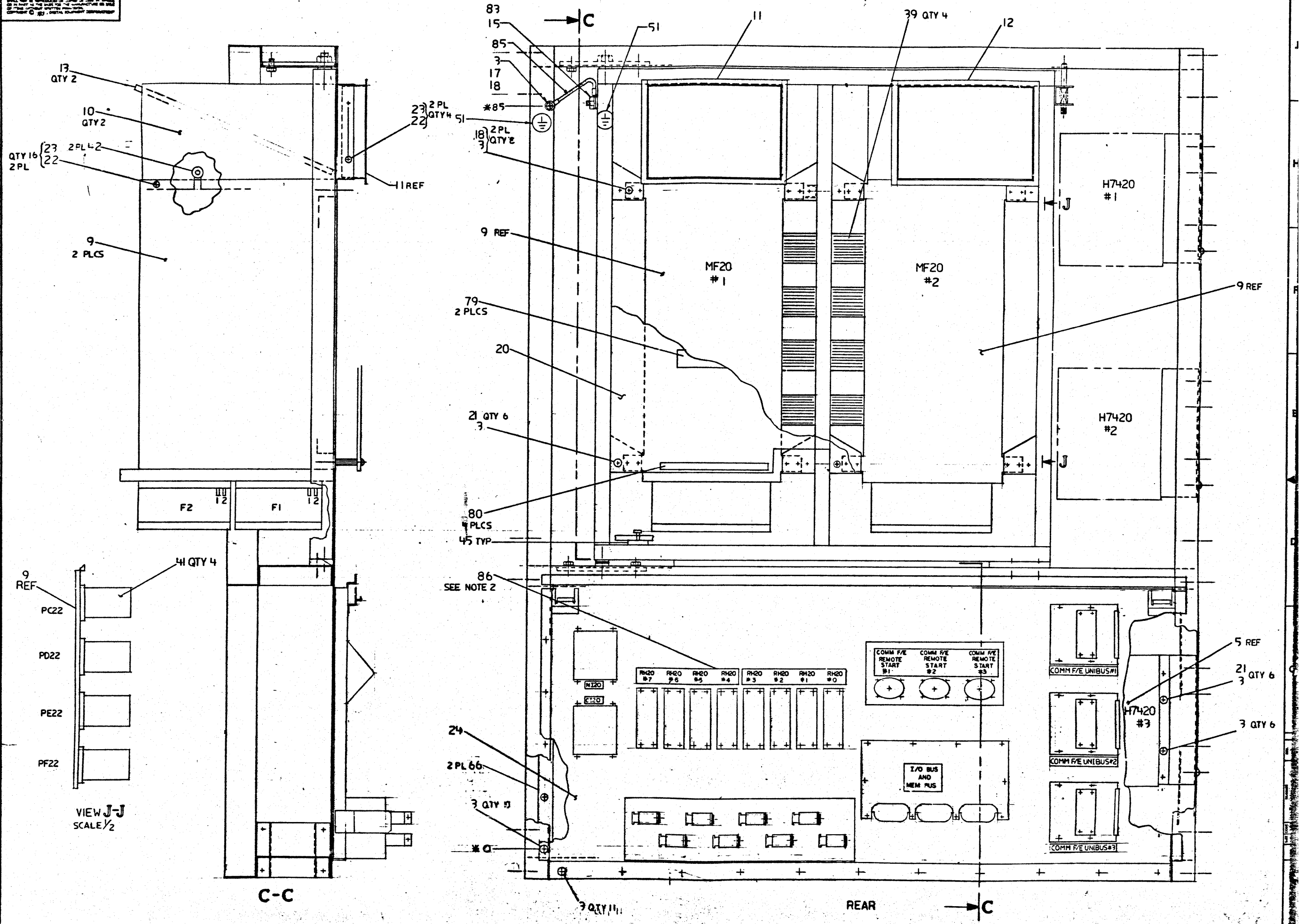
THIS DRAWING AND INFORMATION HEREON ARE THE PROPERTY OF THE UNITED STATES GOVERNMENT AND SHALL NOT BE REPRODUCED OR TRANSMITTED IN ANY FORM OR BY ANY MEANS, ELECTRONIC OR MECHANICAL, INCLUDING PHOTOCOPYING, RECORDING, OR BY ANY INFORMATION STORAGE AND RETRIEVAL SYSTEM.



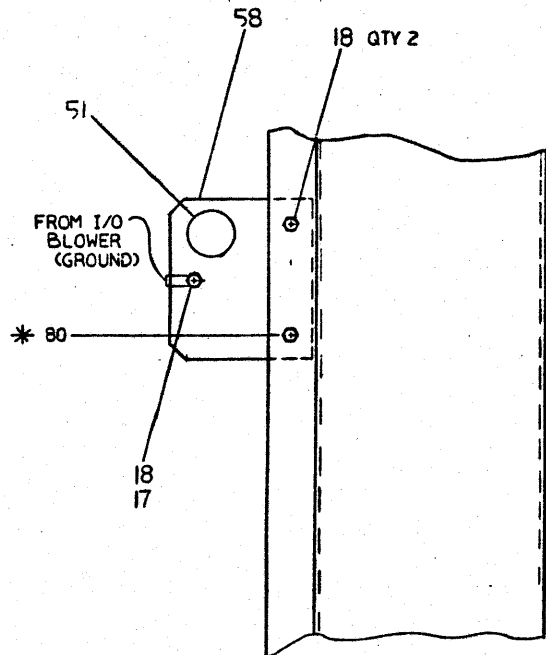
REV	DATE	BY	CHKD

REVISIONS

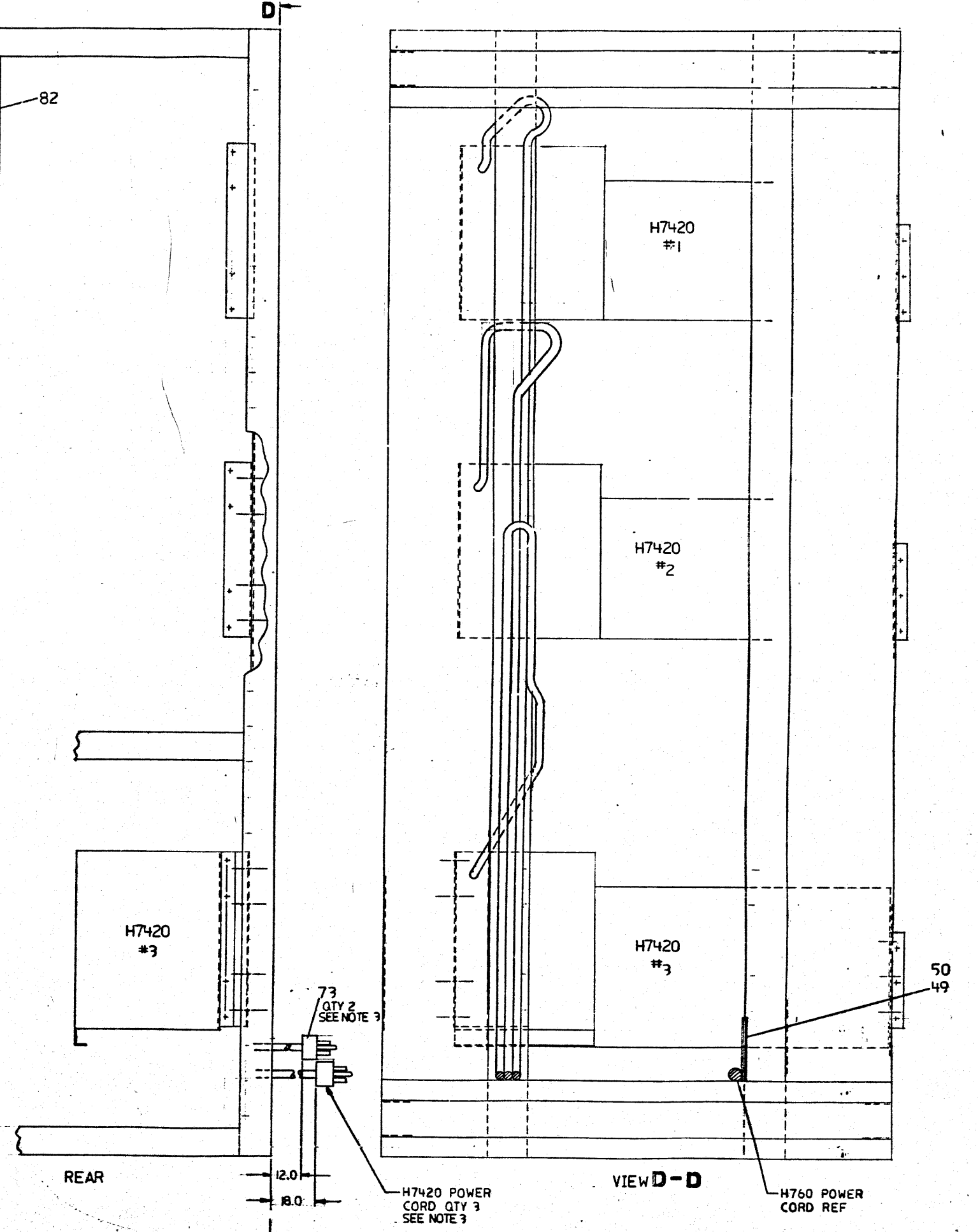
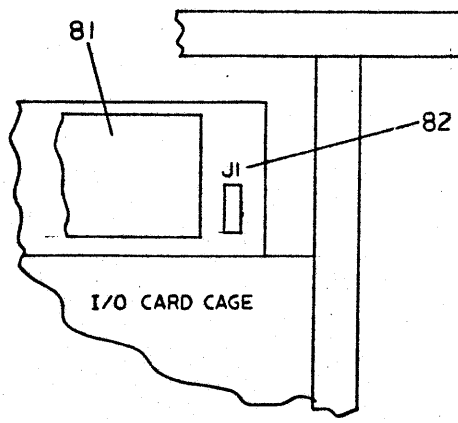
NO.	DATE	DESCRIPTION



THIS DRAWING AND SPECIFICATIONS HEREIN ARE THE PROPERTY OF DIGITAL EQUIPMENT CORPORATION AND SHALL NOT BE REPRODUCED, COPIED OR USED IN WHOLE OR IN PART AS THE BASIS FOR THE MANUFACTURE OR SALE OF THIS WITHOUT WRITTEN PERMISSION.  
 COPYRIGHT © 1982 DIGITAL EQUIPMENT CORPORATION



VIEW E-E  
 SCALE 1/1



VIEW D-D

H7420 POWER CORD QTY 3 SEE NOTE 3

H760 POWER CORD REF

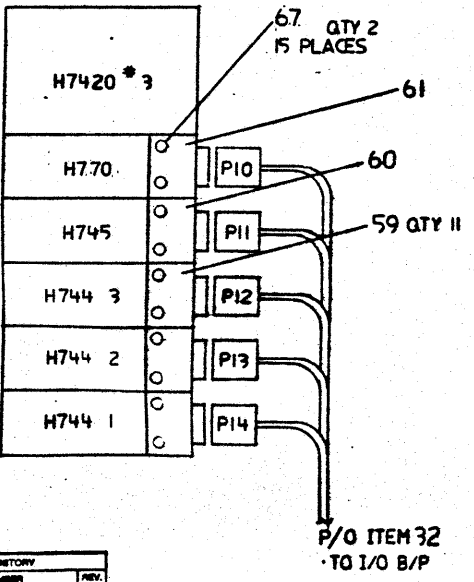
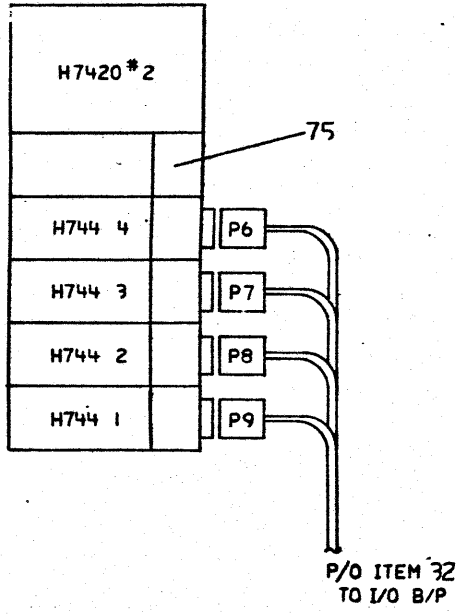
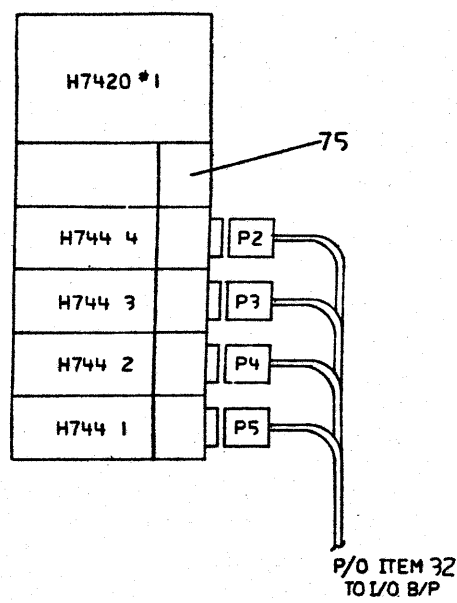
REVISION HISTORY		
DATE	ECO NUMBER	REV

TITLE I/O CAB ASSY

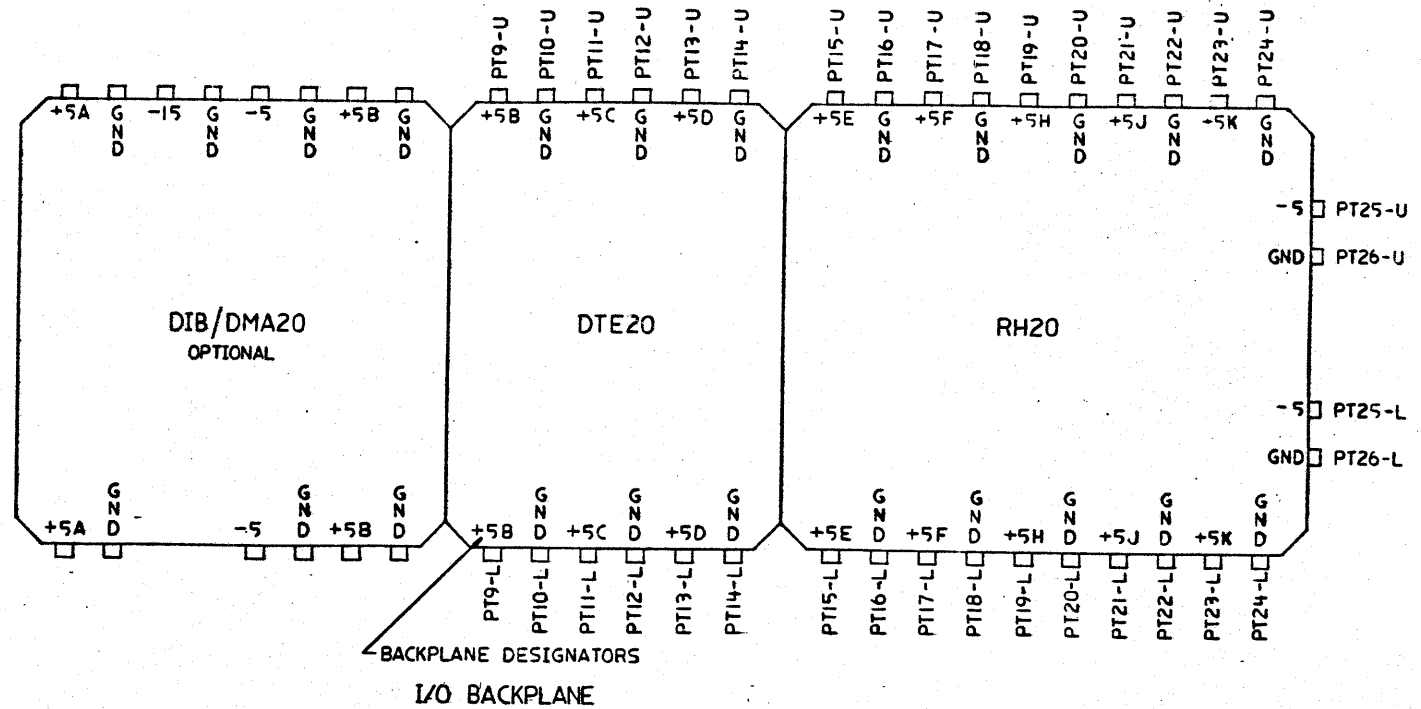
DOCUMENT NUMBER	
REV	NUMBER
E	AD7020325-0-0
	A



THIS DRAWING AND SPECIFICATIONS HEREBY ARE THE PROPERTY OF ORBITAL EQUIPMENT CORPORATION AND SHALL NOT BE REPRODUCED OR COPIED OR IN WHOLE OR IN PART AS THE BASIS FOR THE MANUFACTURE OR SALE OF ITEMS WITHOUT WRITTEN PERMISSION.  
 7793 ORBITAL EQUIPMENT CORPORATION

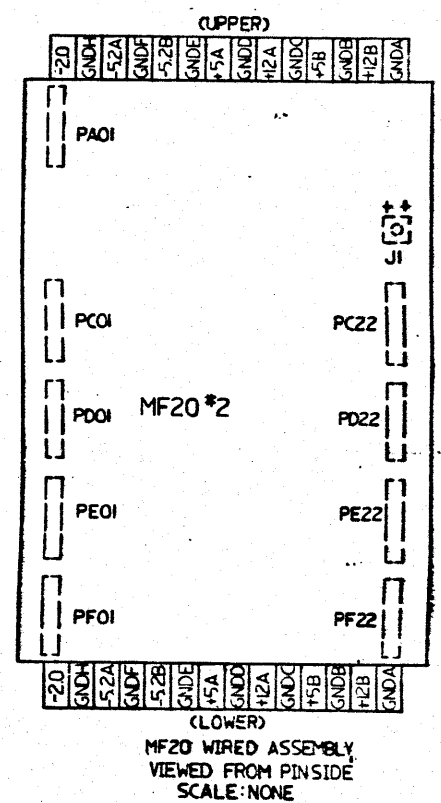
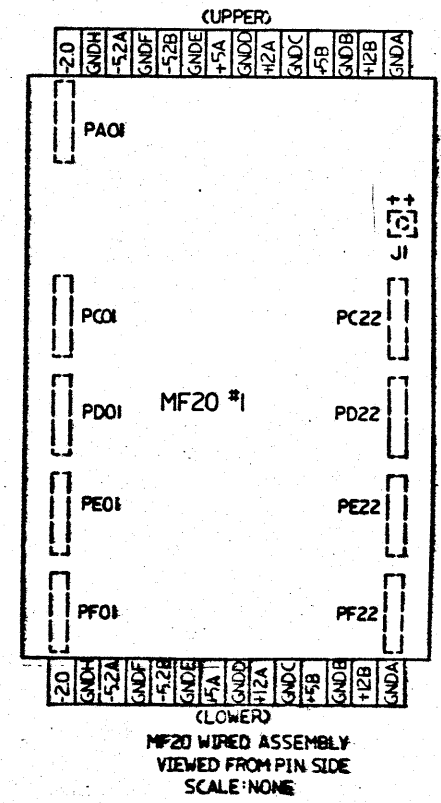


HARNESS CONNECTION CHART #1			
ITEM NO.	HARNESS TERM POINT CONNECTION	CONNECTION	WITH
37	16	P2-6	
	15	P2-7	
	14	P3-6	
	13	P3-7	
	12	P4-6	
	11	P4-7	
	10	P5-6	
	9	P5-7	
		P2	H7420 #1-J2
		P3	H7420 #1-J3
37	16	P6-6	
	15	P6-7	
	14	P7-6	
	13	P7-7	
	12	P8-6	
	11	P8-7	
	10	P9-6	
	9	P9-7	
		P2	H7420 #2-J2
		P3	H7420 #2-J3
38	20	P10-7	
	19	P10-8	
	18	P11-6	
	17	P11-8	
	16	P12-6	
	15	P12-7	
	14	P13-6	
	13	P13-7	
	12	P14-6	
	11	P14-7	
		P2	H7420 #3-J2
		P3	H7420 #3-J3
H7420	RED	H7420 FANS	ITEM 37 P2-7
#1	WHT	H7420 FANS	ITEM 37 P2-3
H7420	RED	H7420 FANS	ITEM 37 P2-7
#2	WHT	H7420 FANS	ITEM 37 P2-3
H7420	RED	H7420 FANS	ITEM 38 P2-7
#3	WHT	H7420 FANS	ITEM 38 P2-3



	4	5	6	7	8	9	10	11	12	13	14	15	16	17	18	19
A																
B																
C																
D		M8574	M8576	M8575	M8577	M8579	M8579	M8579	M8579	M8579	M8579	M8579	M8579	M8579	M8579	M8579
E																
F																

PIN SIDE  
 TYPICAL MF20 MODULE UTILIZATION  
 FOR BOTH MF20 #1 & MF20 #2



REVISION HISTORY		
DATE	ECO NUMBER	REV.

DOCUMENT NUMBER



THIS DRAWING AND SPECIFICATIONS HEREIN ARE THE PROPERTY OF THE GENERAL ELECTRIC COMPANY AND SHALL NOT BE REPRODUCED OR COPIED IN WHOLE OR IN PART AS THE BASIS FOR THE MANUFACTURE OF ANY EQUIPMENT WITHOUT WRITTEN PERMISSION OF THE GENERAL ELECTRIC COMPANY.

**HARNESS CONNECTION CHART #2**

ITEM NO.	HARNESS TERM POINT CONNECTION	CONNECTION	WITH
36	1	P2-6 OF ITEM #3XH7420*2	
	2	P2-5 OF ITEM #3XH7420*2	
	PI	I/O BLOWER JI	

**HARNESS CONNECTION CHART #3**

ITEM NO.	HARNESS TERM POINT CONNECTION	CONNECTION	WITH
34	J1	DOOR SWITCH MF20 #1	
	J2	DOOR SWITCH MF20 #2	
	J6	P6 OF ITEM #33	

**HARNESS CONNECTION CHART #4**

ITEM NO.	HARNESS TERM POINT CONNECTION	CONNECTION	WITH
39		MF20 #1/PC22	
		MF20 #2/PC01	
39		MF20 #1/PD22	
		MF20 #2/PD01	
39		MF20 #1/PE22	
		MF20 #2/PE01	
39		MF20 #1/PF22	
		MF20 #2/PF01	

**HARNESS CONNECTION CHART #5**

ITEM NO.	HARNESS TERM POINT CONNECTION	CONNECTION	WITH
55	J1	J1 CUTOFF IN CONN PANEL	
	J2	J2 CUTOFF IN CONN PANEL	
6		MF20 #2/GN A UPPER	
7		MF20 #2/GN D A UPPER	
8		MF20 #2/+2B UPPER	
9		MF20 #2/+2B UPPER	
10		MF20 #2/GN D B UPPER	
11		MF20 #2/+5B UPPER	
12		MF20 #2/GN D C UPPER	
13		MF20 #2/+12A UPPER	
14		MF20 #2/GN D D UPPER	
15		MF20 #2/+5A UPPER	
16		MF20 #2/GN D E UPPER	
17		MF20 #2/+52B UPPER	
18		MF20 #2/GN D F UPPER	
19		MF20 #2/+52A UPPER	
20		MF20 #2/GN D H UPPER	
21		MF20 #2/+20 UPPER	
22		MF20 #1/GN D A UPPER	
23		MF20 #1/GN D A UPPER	
24		MF20 #1/+12B UPPER	
25		MF20 #1/+12B UPPER	
26		MF20 #1/GN D B UPPER	
27		MF20 #1/+5B UPPER	
28		MF20 #1/GN D C UPPER	
29		MF20 #1/+12A UPPER	
30		MF20 #1/GN D D UPPER	
31		MF20 #1/+5A UPPER	
32		MF20 #1/GN D E UPPER	
33		MF20 #1/+52B UPPER	
34		MF20 #1/GN D F UPPER	
35		MF20 #1/+52A UPPER	
36		MF20 #1/GN D H UPPER	
37		MF20 #1/+20 UPPER	
55	J10	NEXT HIGHER ASSY (KL10-R)	

**HARNESS CONNECTION CHART #6**

ITEM NO.	HARNESS TERM POINT CONNECTION	CONNECTION	WITH
35	J5	P5 OF ITEM #33	
1		MF20 #1/SW2(-)	
2		MF20 #1/SW2(L)	
3		MF20 #1/SW2(+)	
12		MF20 #2/SW2(-)	
13		MF20 #2/SW2(L)	
14		MF20 #2/SW2(+)	
15		MF20 #2/SW1(-)	
16			
17		MF20 #2/SW1(L)	
18			
19		MF20 #2/SW1(+)	
20			
21		MF20 #1/SW1(-)	
22			
23		MF20 #1/SW1(L)	
24			
25		MF20 #1/SW1(+)	
26			

**HARNESS CONNECTION CHART #7**

ITEM NO.	HARNESS TERM POINT CONNECTION	CONNECTION	WITH
56	J3	J3 CUTOFF OF CONN PANEL	
	J4	J4 CUTOFF OF CONN PANEL	
29		MF20 #1/-2.0 LOWER	
30		MF20 #1/GN D H LOWER	
31		MF20 #1/+5.2A LOWER	
32		MF20 #1/GN D F LOWER	
33		MF20 #1/+5.2B LOWER	
34		MF20 #1/GN D E LOWER	
35		MF20 #1/+5A LOWER	
36		MF20 #1/GN D D LOWER	
37		MF20 #1/+12A LOWER	
38		MF20 #1/GN D C LOWER	
39		MF20 #1/+5B LOWER	
40		MF20 #1/GN D B LOWER	
41		MF20 #1/+2B LOWER	
42		MF20 #1/GN D A LOWER	
43		MF20 #2/+2.0 LOWER	
44		MF20 #2/GN D H LOWER	
45		MF20 #2/+5.2A LOWER	
46		MF20 #2/GN D F LOWER	
47		MF20 #2/+5.2B LOWER	
48		MF20 #2/GN D E LOWER	
49		MF20 #2/+5A LOWER	
50		MF20 #2/GN D D LOWER	
51		MF20 #2/+12A LOWER	
52		MF20 #2/GN D C LOWER	
53		MF20 #2/+5B LOWER	
54		MF20 #2/GN D B LOWER	
55		MF20 #2/+12B LOWER	
56		MF20 #2/GN D A LOWER	

**HARNESS CONNECTION CHART #8**

ITEM NO.	HARNESS TERM POINT CONNECTION	CONNECTION	WITH
33	P1	NEXT HIGHER ASSY (KL10-R)	
	P2	NEXT HIGHER ASSY (KL10-R)	
	P3	I/O VANE SWITCH ASSY #4	
	J1	I/O DOOR SWITCH	
	P17	NEXT HIGHER ASSY (KL10-R)	
	P5	J5 OF ITEM #35	
33	P6	J6 OF ITEM #34	

**HARNESS CONNECTION CHART #9**

ITEM NO.	HARNESS TERM POINT CONNECTION	CONNECTION	WITH
31	1	NEXT HIGHER ASSY (KL10-R)	
	2	NEXT HIGHER ASSY (KL10-R)	
	3	NEXT HIGHER ASSY (KL10-R)	
	P1	NEXT HIGHER ASSY (KL10-R)	
	P2	NEXT HIGHER ASSY (KL10-R)	
	P3	H760/J1	
16		H760/YELLOW (RTN)	
17		H760/GRN(45V)	
31	18	H760/ORN(45V)	

**HARNESS CONNECTION CHART #10**

ITEM NO.	HARNESS TERM POINT CONNECTION	CONNECTION	WITH
40	J9	NEXT HIGHER ASSY (KL10-R)	
	J2	MF20 #1/F2-1	
	J3	MF20 #1/F2-2	
	J4	MF20 #1/F1-1	
	J5	MF20 #1/F1-2	
	J6	MF20 #2/F2-1	
	J7	MF20 #2/F2-2	
	J8	MF20 #2/F1-1	
40	J9	MF20 #2/F1-2	

**HARNESS CONNECTION CHART #11**

ITEM NO.	HARNESS TERM POINT CONNECTION	CONNECTION	WITH
72		MF20 #1/BNC	
		NEXT HIGHER ASSY (KL10-R)	

**HARNESS CONNECTION CHART #12**

ITEM NO.	HARNESS TERM POINT CONNECTION	CONNECTION	WITH
72		MF20 #2/BNC	
		NEXT HIGHER ASSY (KL10-R)	

REVISION HISTORY

DATE	REV	DESCRIPTION

THIS DRAWING AND THE INFORMATION CONTAINED HEREIN ARE THE PROPERTY OF THE COMPANY AND ARE NOT TO BE REPRODUCED OR TRANSMITTED IN ANY FORM OR BY ANY MEANS, ELECTRONIC OR MECHANICAL, INCLUDING PHOTOCOPYING, RECORDING, OR BY ANY INFORMATION STORAGE AND RETRIEVAL SYSTEM, WITHOUT THE WRITTEN PERMISSION OF THE COMPANY.

HARNESS CONNECTION CHART #13

ITEM NO	HARNESS POINT	TERMINAL CONNECTION	WITH
32	P1	I/O BACKPLANE/J1	
	P2	-20#1/H744 #4 J1	
	P3	-20#1/H744 #3 J1	
	P4	-20#1/H744 #2 J1	
	P5	-20#1/H744 #1 J1	
	P6	-20#2/H744 #4 J1	
	P7	-20#2/H744 #3 J1	
	P8	-20#2/H744 #2 J1	
	P9	-20#2/H744 #1 J1	
	P10	-20#3/H770 J1	
	P11	-20#3/H745 J1	
	P12	-20#3/H744 #3 J1	
	P13	-20#3/H744 #2 J1	
	P14	-20#3/H744 #1 J1	
	P15	NEXT HIGHER ASSY(KL10-R)	
	P16	NEXT HIGHER ASSY(KL10-R)	
1		-20/PT25-L	
2		PT26-L	
3		PT24-L	
4		PT23-L	
5		PT22-L	
6		PT21-L	
7		PT20-L	
8		PT19-L	
9		PT18-L	
10		PT17-L	
11		PT16-L	
12		-20/PT15-L	
13		-20/PT14-L	
14		PT13-L	
15		PT12-L	
16		PT11-L	
17		PT10-L	
18		-20/PT9-L	
19		20	70
21		22	
23		24	
25		26	
27			
28			
29			
30			
31			
32			
33		34	
35		36	
37		38	
39		40	70
41		DTE20/PT9-U	
42		PT10-U	
43		PT11-U	
44		PT12-U	
45		PT13-U	
46		DTE20/PT14-U	
47		-20/PT15-U	
48		PT16-U	
49		PT17-U	
50		PT18-U	
51		PT19-U	
52		PT20-U	
53		PT21-U	
54		PT22-U	
55		PT23-U	
56		PT24-U	
57		PT25-U	
58		-20/PT26-U	
III		ITEM 7/PT3-3	
32	III	ITEM 7/PT3-4	

HARNESS CONNECTION CHART #14

ITEM NO	HARNESS POINT	TERMINAL CONNECTION	WITH
71	71		
	72	ITEM 32/PT0-3	
	68	ITEM 32/PT0-4	
	67		70
	66		70
	65		70
	64		70
	63	DTE20/PT9-U	
	62	PT10-U	
	61	PT11-U	
	60	PT12-U	
	59	PT13-U	
	58	DTE20/PT14-U	
	57	RH20/PT15-U	
	56	PT16-U	
	55	PT17-U	
	54	PT18-U	
	53	PT19-U	
	52	PT20-U	
	51	PT21-U	
	50	PT22-U	
	49	PT23-U	
	48	PT24-U	
	47	PT26-U	
	46	RH20/PT25-U	
	45	NEXT HIGHER ASSY(KL10-R)	
	44	NEXT HIGHER ASSY(KL10-R)	
71		PT3	J13

REV	ECO NUMBER	DATE



LYNE	ITEM	TOP DOCUMENT	PART NUMBER	MIN REV	DESCRIPTION	QTY PER VARIATION	
						00	01
1	1	E-AD-7020324-0-DBU	7020324-00		CABINET ASSY, I/O	1	1
2	2	E-UA-H760-0-0	0H760-E		H760-A WITH CABLES FOR KL10-RA,2	1	1
3	3		9009700-00	A	SCREW,SEMS TRUSS PHIL 10-	87	65
4	4	E-AD-7020381-0-0	7020381-00		LOGIC ASSY, RH20/DTE20	1	1
5	5	E-UA-H7420-0-0	H7420-A		POW SUPPLY HI POW H742-A 115V	3	3
6	6	E-AD-7021025-0-DBU	7021025-7F		CABLE, INTERNAL MASSBUS	8	8
7	7	C-MD-7436480-0-0	7426480-01	A	BRACKET,I/O C/C DUCT MOUNTING	2	2
8	8	D-IA-7020323-0-0	7020323-00		DUCT WELDMENT, I/O C/C	1	1
9	9	E-IA-7016018-0-0	7016018-00		CARD CAGE ASSY	2	0
10	10	E-IA-7014470-0-0	7014470-00		WELDMENT, TOP DUCT	2	0
11	11	D-IA-7020321-0-0	7020321-00		PLENUM WELDMENT, MF20 I/O	1	0
12	12	D-IA-7020322-0-0	7020322-00		PLENUM WELDMENT, MF20 OFFSET	1	0
13	13		1214045-02	D	FILTER,AIR ALUM FRAMED	2	0
14	14		9006240-09	A	SCREW,MACH HEX PLN 1/4-	6	6
15	15		9006724-00	A	WASHER,LOCK EXTERNAL STEEL	8	8
16	16		9006013-04	A	SCREW,MACH BIND SLOT 4-	44	44
17	17		9007651-00	B	WASHER,LOCK EXTERNAL STEEL	10	10
18	18		9006565-00	C	NUT,HEX EXT TOOTH LCKWSHR 10-32	30	14
19	19	C-IA-7013059-0-0	7013059-02		GROUND STRAP	3	3
20	20	D-MD-7426484-0-0	7426484-01	A	COVER,PROTECTIVE,MF20	1	0
21	21		9006664-00	A	WASHER,FLAT SST	16	10
22	22		9006037-03	A	SCREW,MACH TRUSS PHIL 8-	59	19
23	23		9008151-00	A	WASHER,LOCK EXTERNAL STEEL	59	19
24	24	E-IA-7020841-0-DBU	7020841-01		I/O BULKHEAD WELDMENT	1	1
25	25		9007786-00	F	RETAINER,U-NUT 10-32K	8	6
26	26	D-UA-M8574-0-0	M8574-00		WRITE PATH	2	0
27	27	D-UA-M8575-0-0	M8575-00		SYNDROME MF20	2	0
28	28	D-UA-M8576-0-0	M8576-00		MDS CONTROL	2	0

REVISION HISTORY			BASIC PART NO: 7020325		
ENG	ECO NUMBER	REV	SECTION A OF A	DRM: V. GUTBIER	DATE: 12-JUL-83
---	INITIAL	A	SECTION VARIATION INDEX	CHK'D: J. HUSON	DATE: 12-JUL-83
			CA100,01		
			[B]	DES.ENG: R. SCOTT	DATE: 12-JUL-83
			[C]		
			[D]	RESP.ENG.: R. SCOTT	DATE: 12-JUL-83
			[E]		
			[F]	MFG.ENG.: S. ALMEIDA	DATE: 12-JUL-83
				ASSEMBLY NUMBER:	TOP DOCUMENT NUMBER:
				E-AD-7020325-0-0	B-DD-7020325-0-0
					FILE NAME: Z7430A.PLS
					EDIT # 19

"THIS DRAWING AND THE SPECIFICATIONS CONTAINED HEREIN ARE CONFIDENTIAL AND PROPRIETARY. THEY ARE THE PROPERTY OF DIGITAL EQUIPMENT CORPORATION AND SHALL NOT BE REPRODUCED OR COPIED OR USED IN WHOLE OR IN PART AS THE BASIS FOR THE MANUFACTURE OR SALE OF ITEMS WITHOUT WRITTEN PERMISSION. THIS IS AN UNPUBLISHED WORK PROTECTED UNDER THE FEDERAL COPYRIGHT LAWS."

MAR 70

LINE	ITEM	TOP DOCUMENT	PART NUMBER	MIN REV	DESCRIPTION	QTY	PER	VARIATION
						00	01	
						A1	A1	
29	29	D-UA-M8577-0-0	M8577-00		ADDRESS + TIME MF20	2	0	
30	30	D-UA-M8579-0-0	M8579-00		MF20	8	0	
31	31	J-IA-7020312-0-0	7020312-00		POWER HARNESS, H761	1	1	
32	32	J-IA-7020316-0-0	7020316-00		I/O DC HARNESS	1	1	
33	33	J-IA-7020319-0-0	7020319-00		I/O FAULT SWITCH HARNESS	1	1	
34	34	J-IA-7020377-0-0	7020377-00		HARNESS, DOORSWITCH	1	0	
35	35	J-IA-7015447-0-0	7015447-00		HARNESS VANE SWITCH	1	0	
36	36	D-IA-7020498-0-0	7020498-00		HARNESS, I/O BLOWER AC	1	1	
37	37	D-IA-7010877-0-0	7010877-00		HARNESS AC WIRING NO. 3	2	2	
38	38	D-IA-7010805-0-0	7010805-00		A/C WIRING HARNESS ASSY 1	1	1	
39	39		1700101-00	A	CABLE, COAX, ASSY, 1 FT W/CONN	4	0	
40	40	D-MD-7020714-0-0	7020714-01		HARNESS, I/O AC FAN	1	0	
41	41	D-AD-5412855-0-0	5412855-00		XBUS TERMINATOR	4	0	
42	42		9007017-00	A	GROMMET, ROUND RUBBER	2	0	
43	43		9007867-00		MOUNT, PUSH, CABLE TIE	A/R	A/R	
44	44	D-MD-7429395-0-DBU	7429395-01		COVER, QUICK LATCH	1	1	
45	45		9008264-00	A	MOUNT, CABLE TIE, ADHESIVE BACKE	A/R	A/R	
46	46		9007880-00		TIE, CABLE BUNDL DIA 0-1.14"=101	A/R	A/R	
47	47		9007032-00		TIE, CABLE BUNDL. DIA 0-1-3/4"=101	A/R	A/R	
48	48		9009617-00	A	TIE, CABLE BUNDL. DIA 0-3"TYPE=101	A/R	A/R	
49	49		9007036-00	B	GROMMET, CATERPILLAR POLYAMIDE	A/R	A/R	
50	50		9007594-00	A	ADHESIVE, NEOPRENE	A/R	A/R	
51	51		3613272-00	B	LABEL, ADH BACK, MYLAR CAP	11	11	
52	52		9007080-00	A	CLAMP, CABLE, SCREW MTD. 3/16"	4	4	
53	53		1219534-01		SCREW, CAPTV SLOT	12	12	
54	54	B-UA-00915-0-0	00915-03		JUMPER CORD	3	0	
55	55	J-IA-7020317-0-0	7020317-00		MF20 DC PWR HARNESS TOP	1	0	
56	56	J-IA-7020378-0-0	7020378-00		MF20 DC POWER HARNESS BOTTOM	1	0	
57	57	C-IA-7429334-0-DBU	7429334-01	A	PANEL, BLANK, I/O	2	2	
58	58	B-IA-7426516-0-0	7426516-01	A	BRACKET, GROUND	1	1	
59	59	E-UA-H744-0-0	0H744-00		POWER REGULATOR	11	11	
60	60	E-UA-H745-0-0	0H745-00		POWER REGULATOR	1	1	
61	61	D-UA-H770-0-0	0H770-00		+15V 10A REGULATOR FOR H742	1	1	
62	62	D-IA-7429396-0-DBU	7429396-01	A	PANEL, I.O. CONNECTOR	3	3	
63	63	D-AD-7009861-0-0	7009861-00	A	RECEPT HOUSING ASSY-RP04	11	11	
64	64		9006024-03	A	SCREW, MACH TRUSS PHIL	6-	8	8
65	65	C-MD-7428177-0-DBU	7428177-01	A	SHIELD, RECEPTACLE	8	8	
66	66	C-IA-7429497-0-0	7429497-01	A	PLATE, NUT	2	2	
67	67		9009228-10	A	SCREW, SEMS PAN PHIL	10-	30	30
68	68	C-IA-7429333-0-DBU	7429333-01	A	CLAMP, MASSBUS STRAIN RELIEF	8	8	
69	69		9006688-00	A	WASHER, HELICAL SPLIT SST	44	44	
70	70		9009110-00	A	TERM, TAB .365TAB 2POS	18	18	
71	71	D-AD-7018288-0-0	7018288-01		ASSY, DC VOLTAGE MONITOR I/O NO.	1	1	
72	72		1700100-00	A	CABLE, COAX, ASSY W/CONN	2	0	
73	73		9107673-06	H	PWR CORD, TERM 3-14 SJT	115	2	0
74	74	C-IA-7008288-0-0	7008288-8F		CABLE ASSY PDP-11	1	0	

D	I	G	I	T	A	L	TITLE	I/O CAB ASSEMBLY	SECTION A OF A	SIZE	CODE	DOCUMENT NUMBER	REV
										K	PL	7020325-0-DBP	A

MRO

AUTOMATED BY PRTLST.5R(52)

PARTS LIST

SHEET A3 OF A3

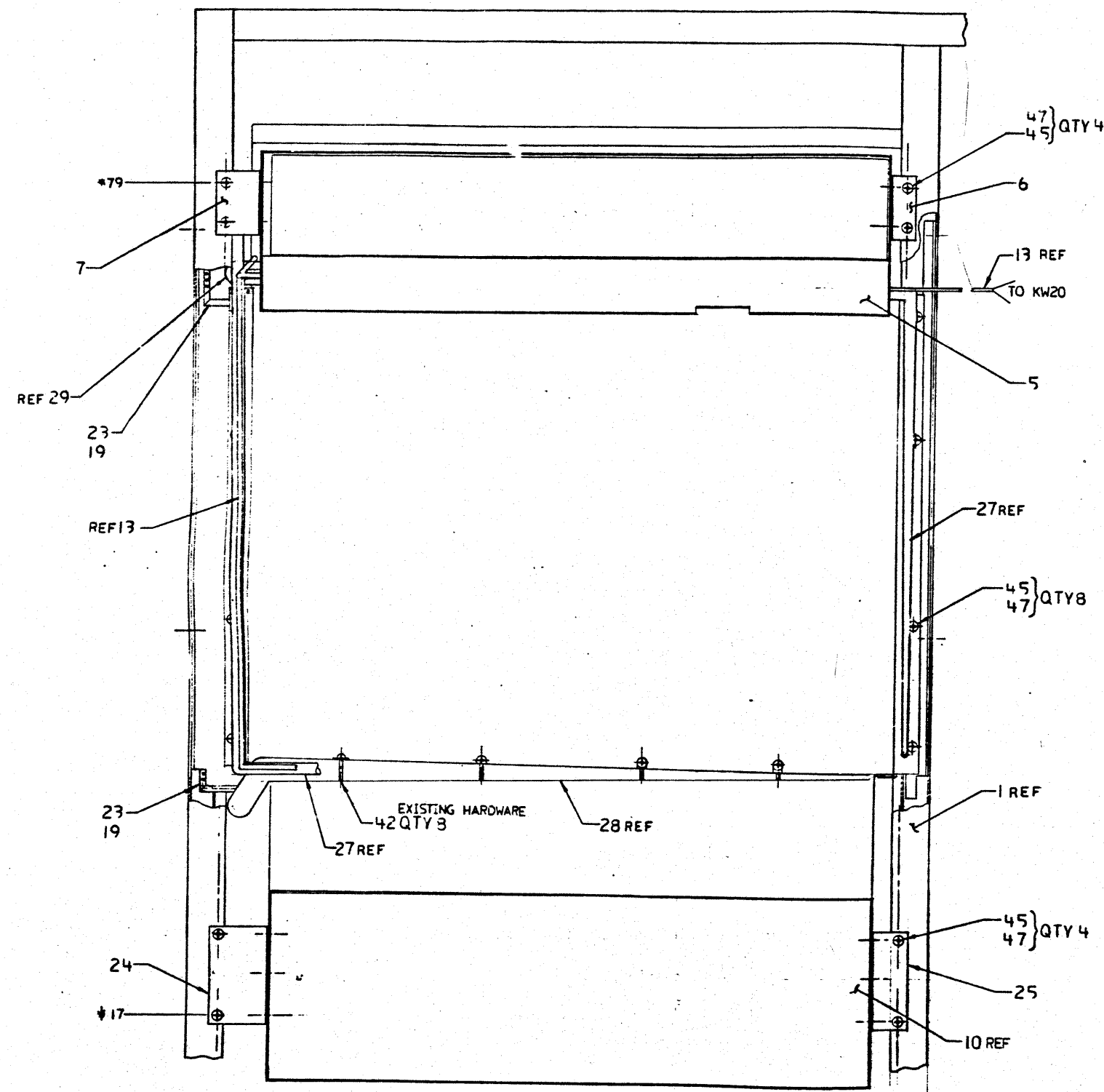
LINE	ITEM	TOP DOCUMENT	PART NUMBER	MIN REV	DESCRIPTION	QTY	PER	VARIATION
						00	01	
						A1	A1	
75	75	D-IA-7413405-0-0	7413405-00	A	PANEL FILTER H7420	2	2	
76	76		1220105-01	A	GASKET,EMI .25"OD	40	40	
77	77		1221535-01	A	CLIP,NYLON FOR RF GASKET	82	82	
78	78	C-IA-7419820-0-0	7419820-00	A	CABLE CLAMPS	1	0	
79	79		3615087-02		LABEL,"DANGER-HIGH CURRENT"	2	0	
80	80	A-DC-7420961-0-0	7420961-00		DECAL BACKPLANE	4	0	
81	81		3622344-01		LABEL,I/O MODULE UTILIZATION	1	1	
82	82	A-DC-7409873-0-0	7409873-01		PWR CONN DECAL WHITE ON CLEAR	1	1	
83	83		9008203-00	A	NUT,HEX EXT TOOTH LCKWSHR 1/4-20	2	2	
84	84		9007033-00		TIE,CABLE BUNDL.DIA 0-1-3/4"=101	A/R	A/R	
85	85	C-IA-7013059-0-0	7013059-04		GROUND STRAP	2	2	
86	86		3622337-01		LABEL,I/O BULKHEAD SET	1	1	
87	87		9008274-00	B	FOAM, TAPE 3/8" X 3/8" BLACK	A/R	0	
88	88		9006633-00	A	WASHER,LOCK INTERNAL STEEL	8	8	

D I G I T A L	TITLE	I/O CAB ASSEMBLY	SECTION A OF A	SIZE/	CODE/	DOCUMENT NUMBER	REV
				K	PL	7020325-0-DBP	A

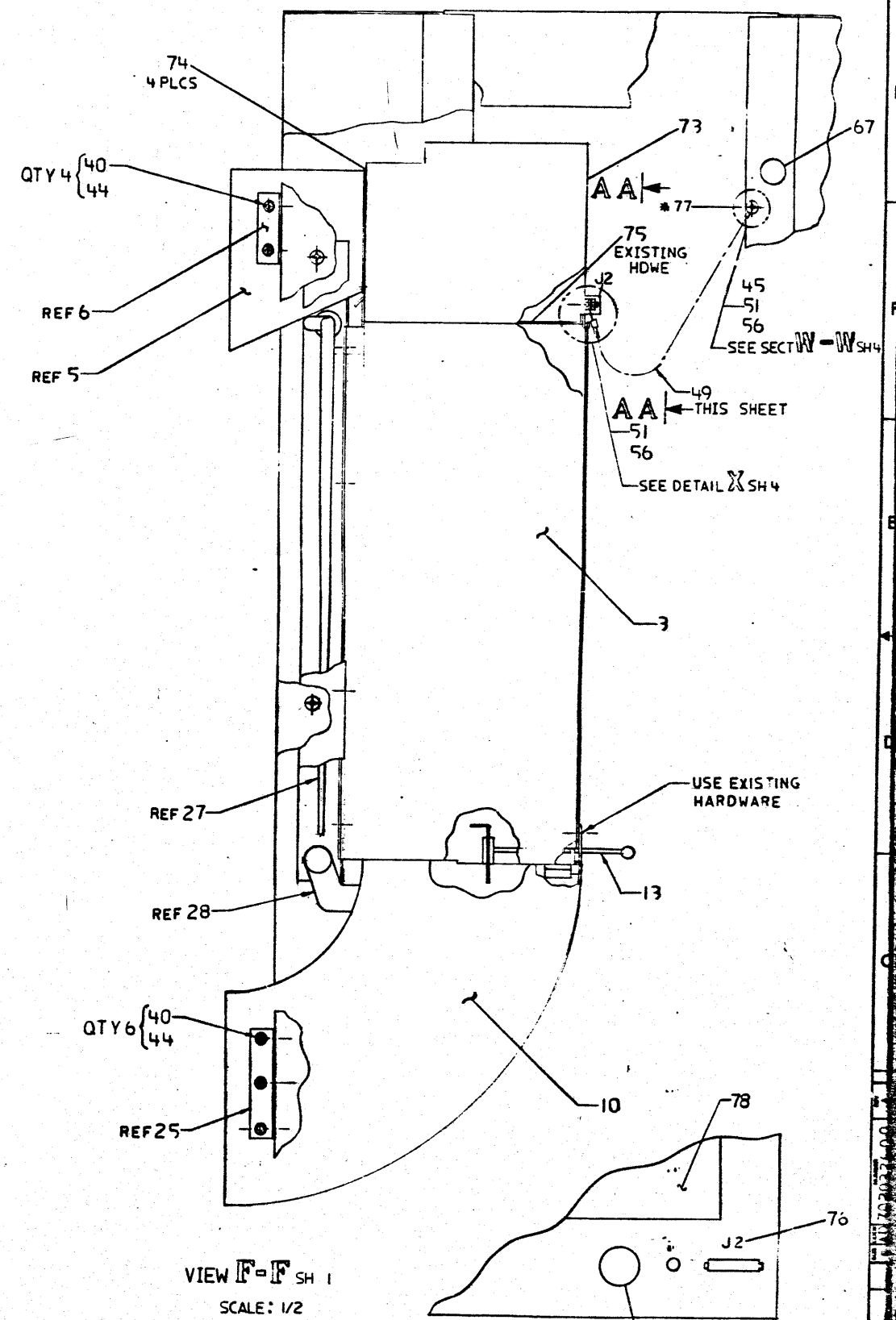
MRO



THIS DRAWING AND SPECIFICATION ARE THE PROPERTY OF DIGITAL EQUIPMENT CORPORATION AND SHALL NOT BE REPRODUCED OR COPIED IN ANY MANNER OR IN ANY MEDIUM WITHOUT THE WRITTEN PERMISSION OF DIGITAL EQUIPMENT CORPORATION.



VIEW G-G SH 1  
SCALE: 1/2

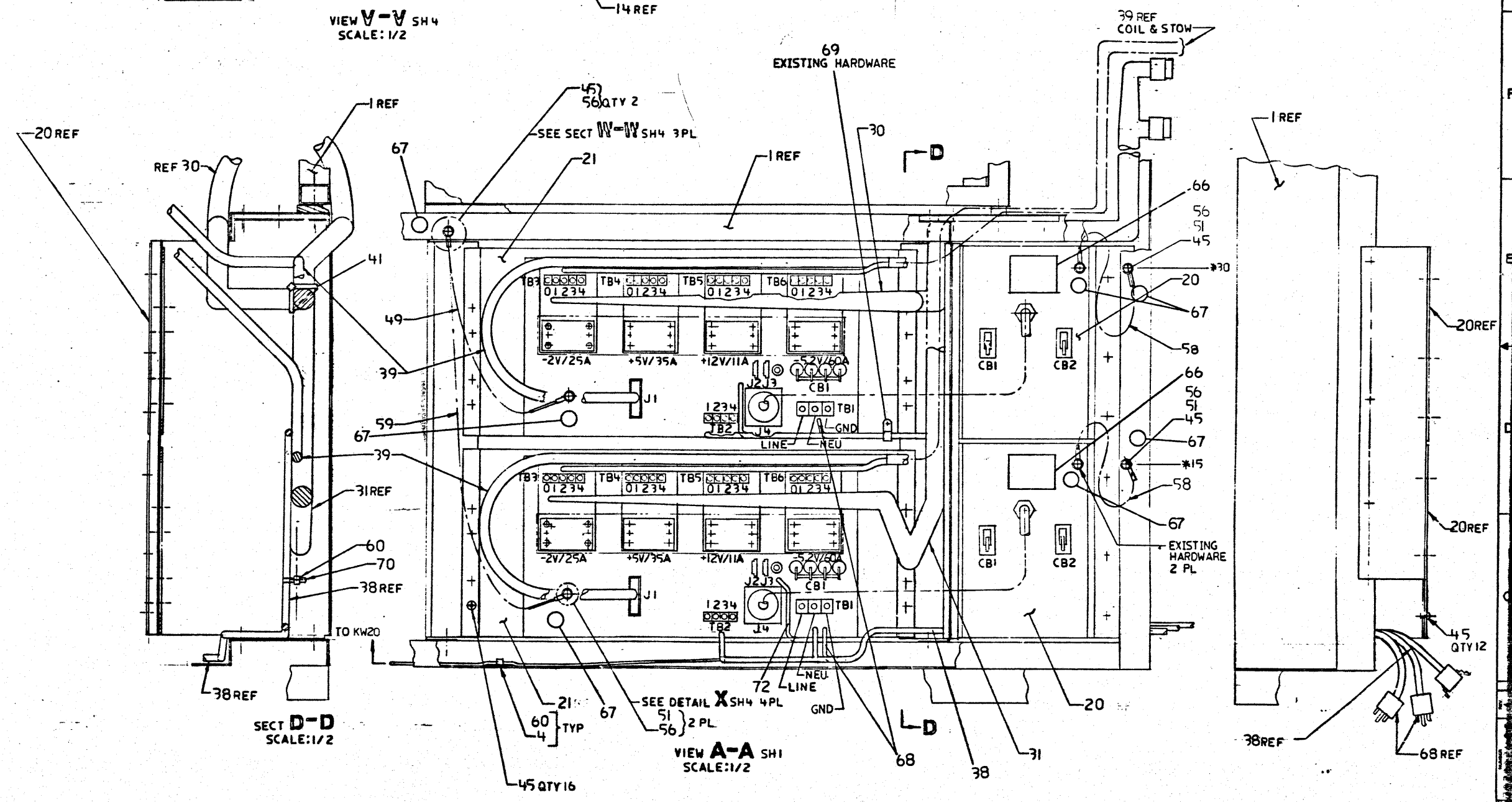
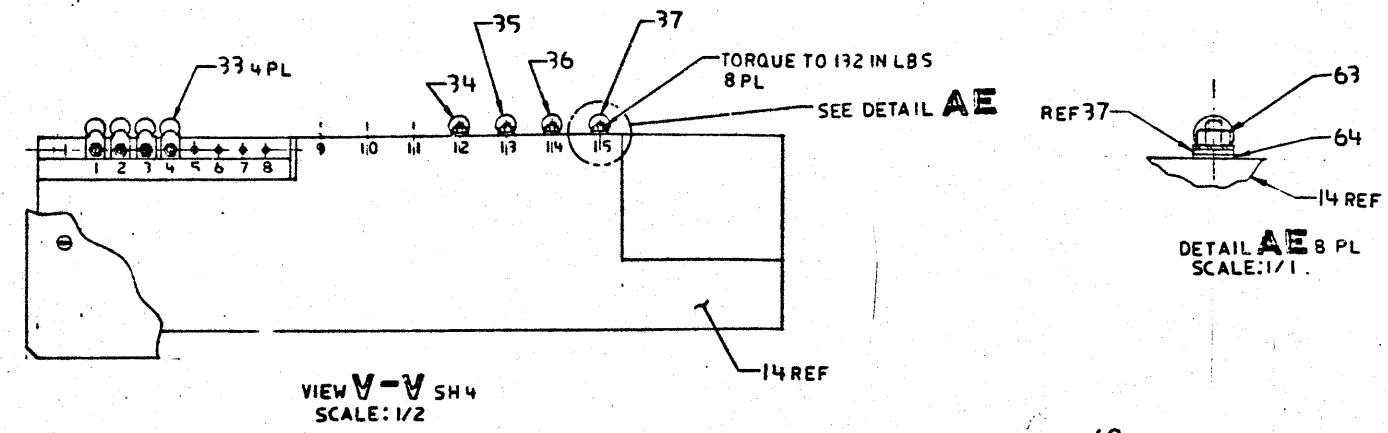


VIEW F-F SH 1  
SCALE: 1/2

VIEW AA-AA

REVISION HISTORY		
DATE	ECO NUMBER	REV

THE DRAWING AND SPECIFICATIONS ARE THE PROPERTY OF THE UNITED STATES GOVERNMENT AND ARE TO BE REPRODUCED AND TRANSMITTED IN ANY FORM OR BY ANY MEANS, ELECTRONIC OR MECHANICAL, INCLUDING PHOTOCOPYING, RECORDING, OR BY ANY INFORMATION STORAGE AND RETRIEVAL SYSTEM, WITHOUT PERMISSION IN WRITING FROM THE HEADQUARTERS, ELECTRONIC EQUIPMENT CORPORATION.

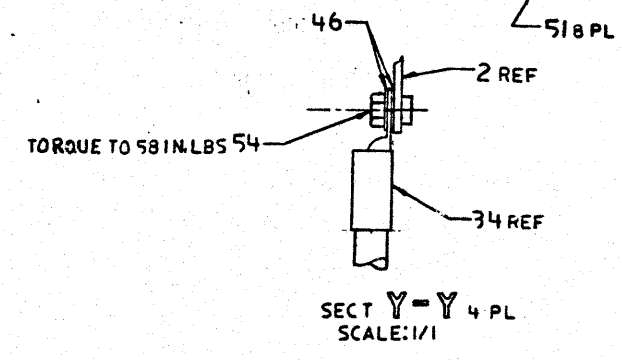
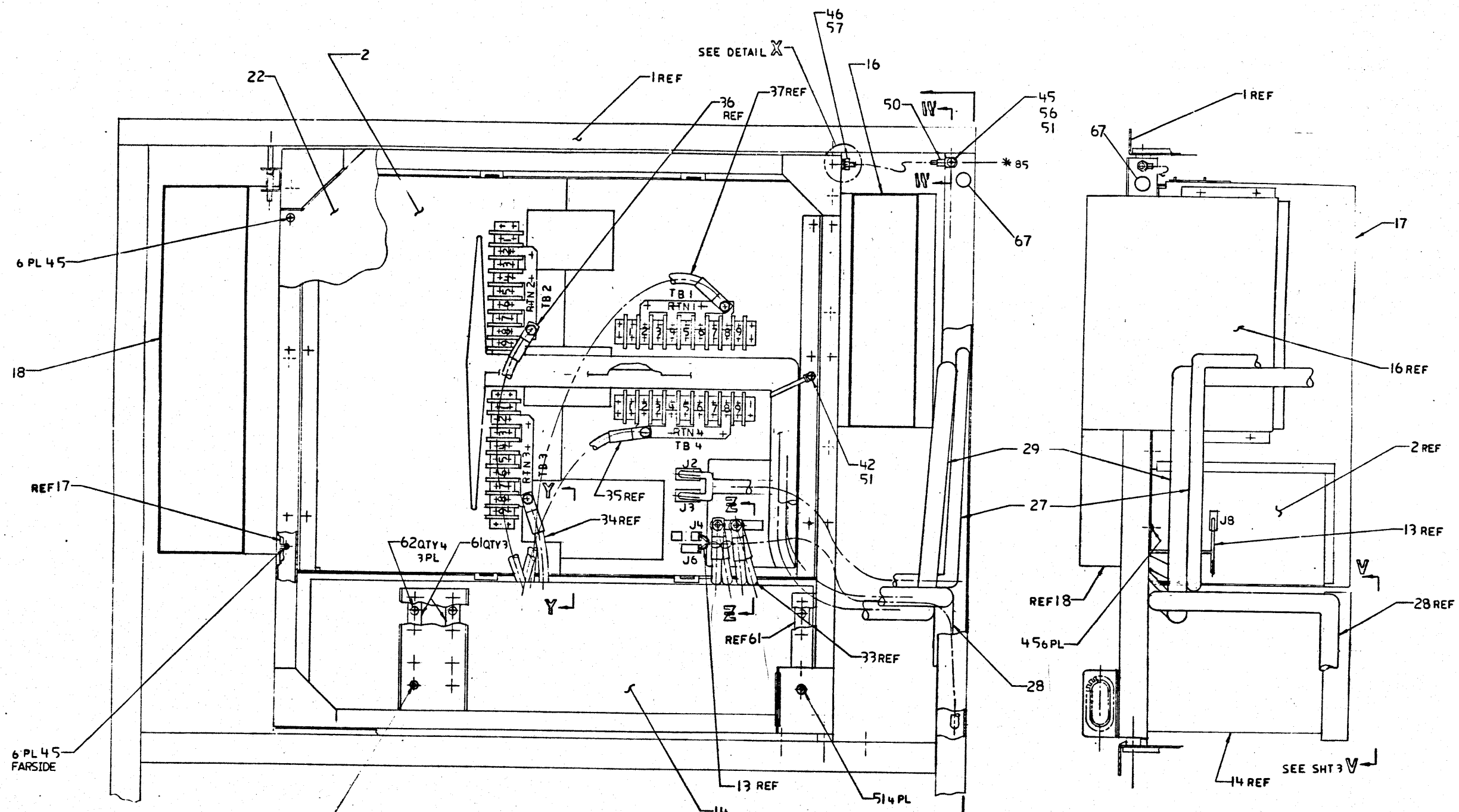


SECT D-D SCALE: 1/2

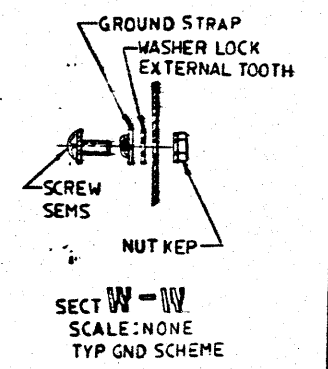
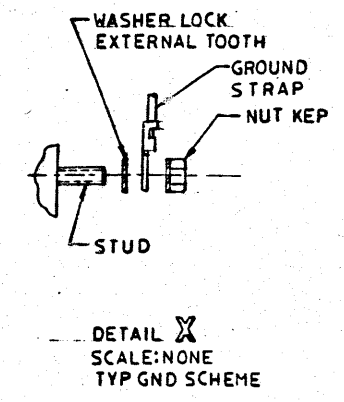
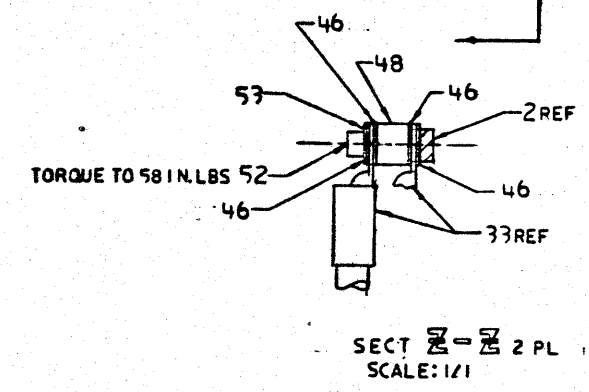
VIEW A-A SH1 SCALE: 1/2

REVISION HISTORY		
DATE	ECO NUMBER	REV

THIS DRAWING AND SPECIFICATIONS HEREIN ARE THE PROPERTY OF DIGITAL EQUIPMENT CORPORATION AND SHALL NOT BE REPRODUCED OR COPIED IN WHOLE OR IN PART AS THE BASIS FOR THE MANUFACTURE OR SALE OF ITEMS WITHOUT WRITTEN PERMISSION. COPYRIGHT © 1964 DIGITAL EQUIPMENT CORPORATION



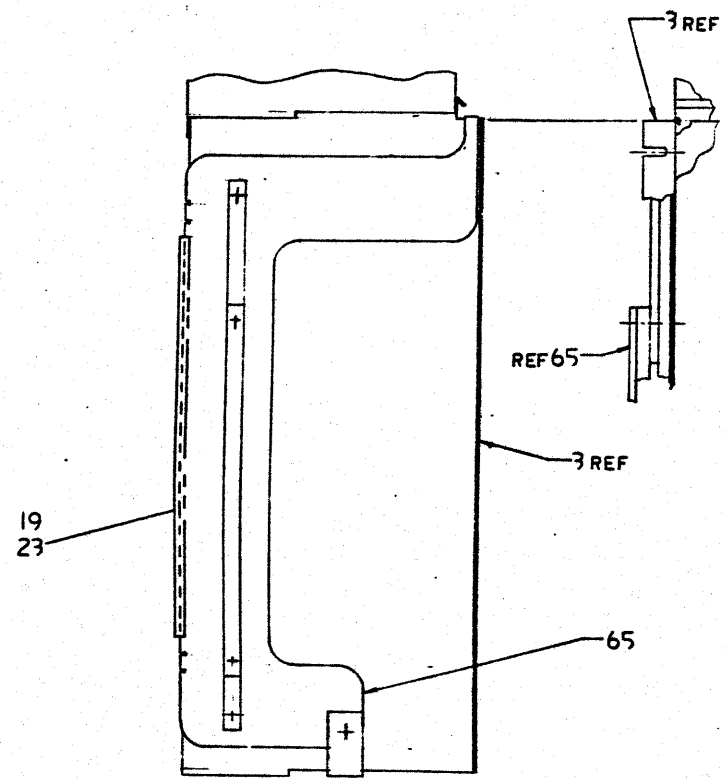
VIEW B-B SH1  
SCALE: 1/2



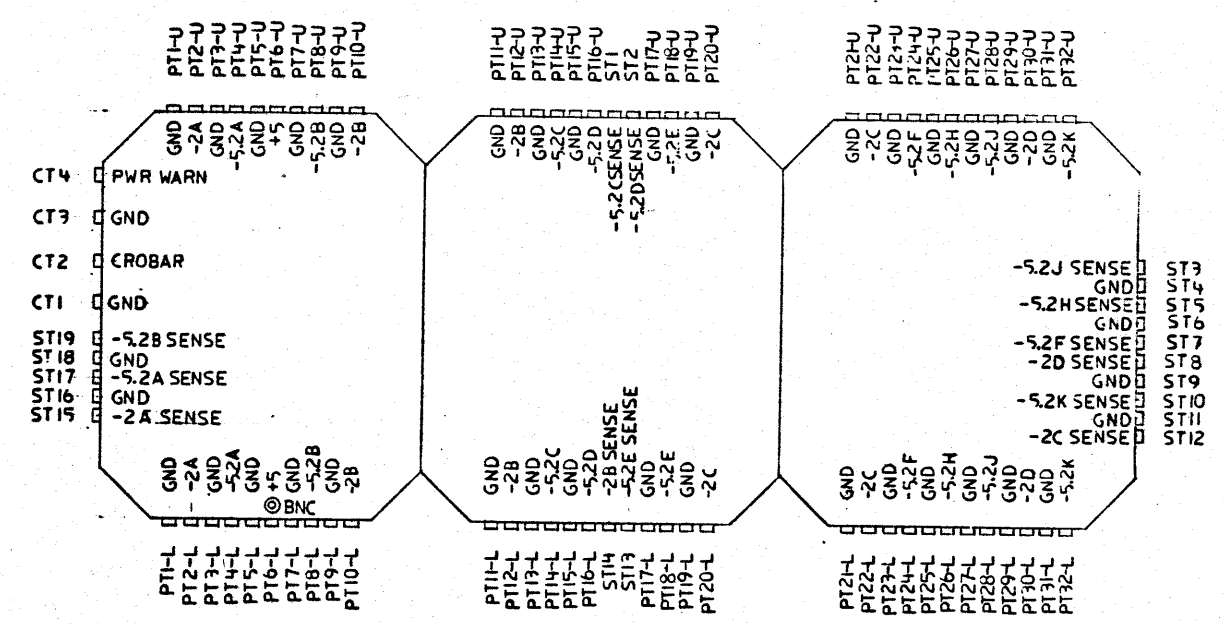
REVISION HISTORY		
DATE	ECO NUMBER	REV



THIS DRAWING AND SPECIFICATIONS HEREBY ARE THE PROPERTY OF DIGITAL EQUIPMENT CORPORATION AND SHALL NOT BE REPRODUCED OR COPIED IN WHOLE OR IN PART AS THE BASIS FOR THE MANUFACTURE OR SALE OF THIS WITHOUT WRITTEN PERMISSION.  
 DIGITAL EQUIPMENT CORPORATION



SECTION AC-AC SH1

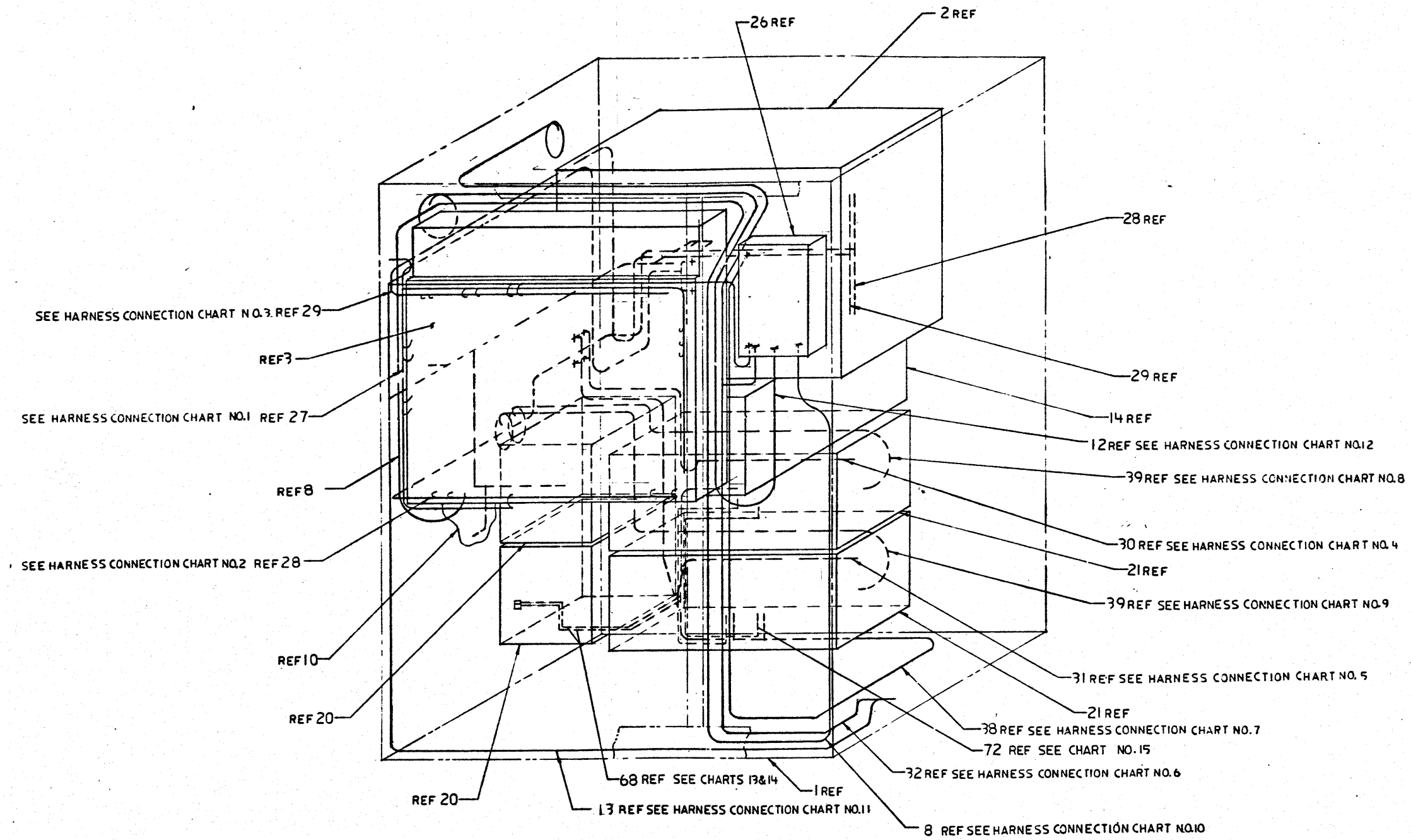


CPU BACKPLANE POWER TAB DESIGNATOR

REVISION HISTORY		
DATE	ECO NUMBER	REV



ALL DIMENSIONS AND SPECIFICATIONS HEREIN ARE THE PROPERTY OF THE RANDOLPH CORP. COMPANY AND SHALL NOT BE REPRODUCED OR COPIED IN WHOLE OR IN PART AS THE BASIS FOR THE MANUFACTURE OF ANY OTHER ARTICLES WITHOUT PERMISSION.  
 RANDOLPH CORP. COMPANY



FRONT VIEW  
 SCALE:NONE

REVISION HISTORY		
DATE	ECO NUMBER	REV

TITLE  
 CPU ASSY

DOCUMENT NUMBER	
EAD7020326-0-0	A

THIS DRAWING AND SPECIFICATIONS HEREBY ARE THE PROPERTY OF DODGE EQUIPMENT CORPORATION AND SHALL NOT BE REPRODUCED OR COPIED OR USED IN WHOLE OR IN PART AS THE BASIS FOR THE MANUFACTURE OR SALE OF ITEMS WITHOUT WRITTEN PERMISSION.  
 COMPANY: DODGE EQUIPMENT CORPORATION

HARNESS CONNECTION CHART NO. 1				
ITEM NO.	HARNESS TERM		CONNECTION	WITH
	POINT	CONNECTION		
27	+	P2	H761-A/J2	—
	—	P3	H761-A/J3	—
27	—		CPU/ST11	—
28	—		12	—
29	—		10	—
30	—		11	—
31	—		9	—
32	—		8	—
33	—		6	—
34	—		7	—
35	—		5	—
36	—		4	—
37	—		3	—
38	—		4	—
39	—		CPU/ST 2	—
40	—		CPU/PT17-U	—
41	—		CPU/ST 1	—
42	—		CPU/PT15-U	—
43	—		CPU/ST19	—
44	—		18	—
45	—		17	—
46	—		16	—
47	—		15	—
48	—		16	—
49	—		CPU/ST14	—
50	—		CPU/PT15-L	—
51	—		CPU/ST13	—
27	52	—	CPU/PT17-L	—

HARNESS CONNECTION CHART NO. 2				
ITEM NO.	HARNESS TERM		CONNECTION	WITH
	POINT	CONNECTION		
28	1	—	H761-A/TB3-8	—
	2	—	TB2-1	—
3	—		2	—
4	—		3	—
5	—		4	—
6	—		5	—
7	—		6	—
8	—		7	—
9	—		TB2-8	—
10	—		TB1-1	—
	—		H761-A/TB1-2	—
12	—		CPU/PT1-L	—
13	—		2-L	—
14	—		3-L	—
15	—		4-L	—
16	—		7-L	—
17	—		8-L	—
18	—		9-L	—
19	—		9-L	—
20	—		10-L	—
21	—		10-L	—
22	—		11-L	—
23	—		12-L	—
24	—		13-L	—
25	—		14-L	—
26	—		15-L	—
27	—		16-L	—
28	—		17-L	—
29	—		18-L	—
30	—		19-L	—
31	—		19-L	—
32	—		20-L	—
33	—		20-L	—
34	—		21-L	—
35	—		22-L	—
36	—		23-L	—
37	—		24-L	—
38	—		25-L	—
39	—		26-L	—
40	—		27-L	—
41	—		28-L	—
42	—		29-L	—
43	—		30-L	—
44	—		31-L	—
45	—		CPU/PT32-L	—
46	—		H761-A/TB4-8	—
47	—		7	—
48	—		6	—
49	—		5	—
50	—		4	—
51	—		3	—
52	—		2	—
53	—		TB4-1	—
54	—		TB3-1	—
55	—		2	—
56	—		3	—
57	—		4	—
58	—		5	—
59	—		6	—
28	60	—	H761-A/TB3-7	—

HARNESS CONNECTION CHART NO. 3				
ITEM NO.	HARNESS TERM		CONNECTION	WITH
	POINT	CONNECTION		
29	1	—	H761-A/TB3-8	—
	2	—	TB2-1	—
3	—		2	—
4	—		3	—
5	—		4	—
6	—		5	—
7	—		6	—
8	—		7	—
9	—		TB2-8	—
10	—		TB1-1	—
	—		H761-A/TB1-2	—
12	—		CPU/PT1-U	—
13	—		2	—
14	—		3	—
15	—		4	—
16	—		7	—
17	—		8	—
18	—		9	—
19	—		9	—
20	—		10	—
21	—		10	—
22	—		11	—
23	—		12	—
24	—		13	—
25	—		14	—
26	—		15	—
27	—		16	—
28	—		17	—
29	—		18	—
30	—		19	—
31	—		19	—
32	—		20	—
33	—		20	—
34	—		21	—
35	—		22	—
36	—		23	—
37	—		24	—
38	—		25	—
39	—		26	—
40	—		27	—
41	—		28	—
42	—		29	—
43	—		30	—
44	—		31	—
45	—		CPU/PT32-U	—
46	—		H761-A/TB4-8	—
47	—		7	—
48	—		6	—
49	—		5	—
50	—		4	—
51	—		3	—
52	—		2	—
53	—		TB4-1	—
54	—		TB3-1	—
55	—		2	—
56	—		3	—
57	—		4	—
58	—		5	—
59	—		6	—
29	60	—	H761-A/TB3-7	—

HARNESS CONNECTION CHART NO. 4				
ITEM NO.	HARNESS TERM		CONNECTION	WITH
	POINT	CONNECTION		
30	—	P1	NEXT HIGHER ASSY	—
	—	P3	NEXT HIGHER ASSY	—
1	—		H7131*2/-20V(-)U	—
56	—		-20V(+U)	—
55	—		-20V(-L)	—
54	—		-20V(+L)	—
53	—		+50V(+U)	—
52	—		+ (-)U	—
51	—		+ (+)U	—
50	—		+ (-)U	—
49	—		+ (+)L	—
48	—		+ (-)L	—
47	—		+ (+)L	—
46	—		+50V(-L)	—
45	—		+120V(+U)	—
44	—		+ (-)U	—
43	—		+ (+)U	—
42	—		+ (-)U	—
41	—		+ (+)L	—
40	—		+ (-)L	—
39	—		+ (+)L	—
38	—		+120V(-L)	—
37	—		-52V (-)U	—
36	—		- (+)U	—
35	—		- (-)U	—
34	—		- (-)U	—
33	—		- (-)L	—
32	—		- (+)L	—
31	—		- (-)L	—
30	30	—	H7131*2/-5.2V (+)L	—

REVISION HISTORY		
DATE	ECO NUMBER	REV

THIS DRAWING AND SPECIFICATIONS HEREAFTER ARE THE PROPERTY OF DIGITAL EQUIPMENT CORPORATION AND SHALL NOT BE REPRODUCED OR COPIED OR USED IN WHOLE OR IN PART AS THE BASIS FOR THE MANUFACTURE OR SALE OF OTHER EQUIPMENT WITHOUT PERMISSION.

HARNES CONNECTION CHART NO.5				
ITEM NO.	HARNES TERM POINT	CONNECTION	CONNECTION	WITH
31	—	P2	NEXT HIGHER ASSY(KLIO-R)	—
—	—	P4	NEXT HIGHER ASSY(KLIO-R)	—
—	—	—	H7131*1/-20V (-)U	—
55	—	—	(+)U	—
55	—	—	(-)L	—
54	—	—	-2.0V (+)L	—
53	—	—	+5.0V (+)U	—
52	—	—	(-)U	—
51	—	—	(+)U	—
50	—	—	(-)U	—
49	—	—	(+)L	—
48	—	—	(-)L	—
47	—	—	(+)L	—
46	—	—	+5.0V (-)L	—
45	—	—	+12.0V(+U)	—
44	—	—	(-)U	—
43	—	—	(+)U	—
42	—	—	(-)U	—
41	—	—	(+)L	—
40	—	—	(-)L	—
39	—	—	(+)L	—
38	—	—	+12.0V(-)L	—
37	—	—	-5.2V (-)U	—
36	—	—	(+)U	—
35	—	—	(-)U	—
34	—	—	(+)U	—
33	—	—	(-)L	—
32	—	—	(+)L	—
31	30	—	H7131*1/-52 V (+)L	—

HARNES CONNECTION CHART NO.6				
ITEM NO.	HARNES TERM POINT	CONNECTION	CONNECTION	WITH
32	—	P8	KW20/J8	—
32	—	P10	NEXT HIGHER ASSY(KLIO-R)	—
32	1	—	ITEM 13 P6-7	—
32	12	—	ITEM 13 P6-8	—

HARNES CONNECTION CHART NO. 8				
ITEM NO.	HARNES TERM POINT	CONNECTION	CONNECTION	WITH
39	—	P1	H7131*2/J1	—
—	—	J11	NEXT HIGHER ASSY (KLIO-R)	—
23	—	—	H7131*2/TB6-3	—
24	—	—	TB6-2	—
25	—	—	TB5-2	—
26	—	—	TB5-3	—
27	—	—	TB4-2	—
28	—	—	TB4-3	—
29	—	—	TB3-3	—
39	30	—	H7131*2/TB3-2	—

HARNES CONNECTION CHART NO.11				
ITEM NO.	HARNES TERM POINT	CONNECTION	CONNECTION	WITH
13	—	P6	FOR EXPANSION(MF20F)	—
—	—	J16	NEXT HIGHER ASSY(KLIO-R)	—
—	—	J17	NEXT HIGHER ASSY(KLIO-R)	—
—	—	J1	CPU DOOR SWITCH	—
—	—	P1	CPU VANE SWITCH (J1)	—
—	—	P8	H761-A/J8	—
3	—	—	H761-A/J4-2	—
4	—	—	H761-A/J6-4	—
41	—	—	ITEM #32/P8-1	—
42	—	—	ITEM #32/P8-2	—
43	—	—	CPU/P75-U	—
44	—	—	PT6-U	—
45	—	—	CT4	—
46	—	—	CT3	—
47	—	—	CT2	—
48	—	—	CT2	—
49	—	—	CT1	—
50	—	—	CT1	—
51	—	—	PT6-L	—
13	52	—	CPU/P75-L	—

HARNES CONNECTION CHART NO. 7				
ITEM NO.	HARNES TERM POINT	CONNECTION	CONNECTION	WITH
38	—	J1	KW20/F1-1	—
—	—	J2	KW20/F1-2	—
—	—	P9	NEXT HIGHER ASSY(KLIO-R)	—
3	—	—	H7131*1/TB2-1	—
4	—	—	#1/TB2-2	—
5	—	—	#1/TB2-3	—
6	—	—	#1/TB2-4	—
7	—	—	#1/TB1-LINE	—
8	—	—	#1/TB1-NEUT	—
9	—	—	#2/TB2-1	—
10	—	—	#2/TB2-2	—
11	—	—	#2/TB2-3	—
38	12	—	H7131*2/TB2-4	—

HARNES CONNECTION CHART NO.9				
ITEM NO.	HARNES TERM POINT	CONNECTION	CONNECTION	WITH
39	—	P1	H7131*1/J1	—
—	—	J11	NEXT HIGHER ASSY (KLIO-R)	—
23	—	—	H7131*1/TB6-3	—
24	—	—	TB6-2	—
25	—	—	TB5-2	—
26	—	—	TB5-3	—
27	—	—	TB4-2	—
28	—	—	TB4-3	—
29	—	—	TB3-3	—
39	30	—	H7131*1/TB3-2	—

HARNES CONNECTION CHART NO.12				
ITEM NO.	HARNES TERM POINT	CONNECTION	CONNECTION	WITH
12	—	J2	KW20/J10	—
—	—	J1	NEXT HIGHER ASSY (KLIO-R)	—

HARNES CONNECTION CHART NO. 10				
ITEM NO.	HARNES TERM POINT	CONNECTION	CONNECTION	WITH
8	—	—	KW 20/J6	—
—	—	—	ITEM #3/COAXCONN(BNC)	—

HARNES CONNECTION CHART NO.13				
ITEM NO.	HARNES TERM POINT	CONNECTION	CONNECTION	WITH
68	—	BROWN	H7131*1/TB1-LINE	—
—	—	BLUE	H7131*1/TB1-NEU	—
—	—	GRN/YEL	H7131*1/TB1-GND	—

HARNES CONNECTION CHART NO.14				
ITEM NO.	HARNES TERM POINT	CONNECTION	CONNECTION	WITH
68	—	BROWN	H7131*2/TB2-LINE	—
—	—	BLUE	H7131*2/TB2-NEU	—
—	—	GRN/YEL	H7131*2/TB2-GND	—

HARNES CONNECTION CHART NO.15				
ITEM NO.	HARNES TERM POINT	CONNECTION	CONNECTION	WITH
72	—	—	H7131*1/J3	—
—	—	—	H7131*2/J2	—

REVISION HISTORY		
DATE	ECO NUMBER	REV.

AUTOMATED BY PRLST.5R(52)

PARTS LIST

SHEET A1 OF A05

LINE	ITEM	TOP DOCUMENT	PART NUMBER	MIN REV	DESCRIPTION	QTY PER VARIATION	
						00	01
						A	A
1	1	E-AD-7020324-0-DBU	7020324-01	A	CABINET ASSY, CPU	1	1
2	2	E-UA-H761-0-0	OH761-A	A	H761 WITHOUT COVER	1	1
3	3	E-AD-7020380-0-0	7020380-00	A	CPU LOGIC ASSY, (KL10-PV)	1	1
4	4		9008264-00	A	MOUNT, CABLE TIE, ADHESIVE BACKE	A/R	A/R
5	5	E-IA-7426485-0-0	7426485-01	A	DUCT, LOGIC, CPU CAB TOP	1	1
6	6	C-MD-7426449-0-0	7426449-01	A	CLIP, DUCT, RIGHT HAND	1	1
7	7	C-MD-7426448-0-0	7426448-01	A	CLIP, DUCT, LEFT HAND	1	1
8	8		1700100-00	A	CABLE, COAX, ASSY W/CONN	1	-
9	9		9010434-01	A	RECEPTACLE, CLIP-ON STEEL	4	-
10	10	E-DA-7426492-0-0	7426492-01	A	DUCT, WELDMENT, CPU LOGIC	1	1
11	11	D-MD-7426465-0-0	7426465-02	A	BRACKET, MASTER OSCILLATOR	1	-
12	12	D-IA-7015524-0-0	7015524-8F	A	CABLE CLOCK SELECT	1	-
13	13	E-IA-7020320-0-0	7020320-00	A	CPU FAULT HARNESS	1	1
14	14	E-AD-7009878-0-0	7009878-00	A	CAPACITOR BOX ASSY (KL10)	1	1
15	15	D-MD-7426465-0-0	7426465-01	A	BRACKET, MASTER OSCILLATOR	1	-
16	16	E-DA-7426488-0-0	7426488-01	A	DUCT, REG. P.S. RIGHT HAND	1	1
17	17	E-DA-7426486-0-0	7426486-01	A	COVER, PROTECTIVE, REG. P.S.	1	1
18	18	E-DA-7426487-0-0	7426487-01	A	DUCT, REG. P.S. LEFT HAND	1	1
19	19		9007594-00	A	ADHESIVE, NEUPRENE	A/R	A/R
20	20	E-AD-7015075-0-0	7015075-00	A	BATTERY BOX ASSY	2	-
21	21		3014903-00	A	POWER SUPPLY, MULTIPLE OUTPUT	2	-
22	22	D-MD-7426464-0-0	7426464-01	A	PLATE, PROTECTION	1	1
23	23		9007036-00	A	GROMMET, CATERPILLAR POLYAMIDE	A/R	A/R
24	24	C-MD-7426494-0-0	7426494-01	A	CLIP, L.H. DUCT CPU LOGIC	1	1
25	25	C-MD-7426493-0-0	7426493-01	A	CLIP, R.H. DUCT CPU LOGIC	1	1
26	26	D-UA-KW20-0-0	OKW20-A	A	OSCILLATOR ASSY MASTER 60HZ	1	-
27	27	E-IA-7020713-0-0	7020713-01	A	HARNESS, CPU SENSE	1	1
28	28	J-IA-7020313-0-0	7020313-00	A	HARNESS, CPU DC POWER LOWER	1	1

REVISION HISTORY			BASIC PART NO: 7020326										
ENGI	ECD NUMBER	IREV	SECTION A OF A	DRN:	BILL FAULSTICH	DATE: 24-JUN-83	D	I	G	I	T	A	L
	INITIAL	A	SECTION VARIATION INDEX CAJ00,01	CHK'D:	J. HUSON	DATE: 24-JUN-83	TITLE PARTS LIST CPU CABINET ASSEMBLY						
			[B]	DES.ENG.:	ROGER SCOTT	DATE: 24-JUN-83	DOCUMENT NUMBER						
			[C]				SIZE	CODE	NUMBER	REV			
			[D]	RESP.ENG.:	ROGER SCOTT	DATE: 24-JUN-83	K	PL	7020326-0-DBP	A			
			[E]	MFG.ENG.:	SUE ALMEDIA	DATE: 24-JUN-83	RELEASE DATE:						
			[F]	ASSEMBLY NUMBER:	E-AD-7020326-0-0	TOP DOCUMENT NUMBER:	B-DD-7020326-0-0	FILE NAME:	Z7835A.PLS	EDIT #:	18		

"THIS DRAWING AND THE SPECIFICATIONS CONTAINED HEREIN ARE CONFIDENTIAL AND PROPRIETARY. THEY ARE THE PROPERTY OF DIGITAL EQUIPMENT CORPORATION AND SHALL NOT BE REPRODUCED OR COPIED OR USED IN WHOLE OR IN PART AS THE BASIS FOR THE MANUFACTURE OR SALE OF ITEMS WITHOUT WRITTEN PERMISSION. THIS IS AN UNPUBLISHED WORK PROTECTED UNDER THE FEDERAL COPYRIGHT LAWS."

MRO

PARTS LIST

LINE	ITEM	TOP DOCUMENT	PART NUMBER	MIN REV	DESCRIPTION	QTY PER VARIATION	
						00	01
						A	A
29	29	J-IA-7020311-0-0	7020311-00	A	HARNESS,CPU,DC POWER UPPER	1	1
30	30	J-IA-7020494-0-0	7020494-00	A	HARNESS DC POWER H7131 TOP	1	-
31	31	J-IA-7020495-0-0	7020495-00	A	HARNESS, DC POWER H7131 BOTTOM	1	-
32	32	E-IA-7020711-0-0	7020711-01		HARNESS, DC MASTER OSC	1	-
33	33	U-IA-7020717-0-0	7020717-0M		CABLE, CAP BOX POWER	4	4
34	34	D-IA-7020718-0-0	7020718-01		PWR CABLE CAP BOX	1	1
35	35	D-IA-7020718-0-0	7020718-1H		POWER CABLE, CAP BOX	1	1
36	36	D-IA-7020718-0-0	7020718-1K		POWER CABLE, CAP BOX	1	1
37	37	D-IA-7020718-0-0	7020718-2L		POWER CABLE, CAP BOX	1	1
38	38	J-IA-7020712-0-0	7020712-01		HARNESS, AC POWER CPU	1	-
39	39	J-IA-7020328-0-0	7020328-00	A	CABLE,MARGIN SENSE	2	-
40	40		9J06660-00	A	WASHER,FLAT SST	10	10
41	41		9009617-00	A	TIE,CABLE BUNDL.DIA 0-3"TYPE=101	A/R	A/R
42	42		9007033-00		TIE,CABLE BUNDL.DIA 0-1-3/4"=101	A/R	A/R
43	43		9007031-00	B	TIE,CABLE BUNDL.DIA 0- 3/4"=101	A/R	A/R
44	44		9006563-00	A	NUT,HEX EXT TOOTH LCKWSHR 8-32	10	10
45	45		9009700-00	A	SCREW,SEMS TRUSS PHIL 10-	74	36
46	46		9006724-00	A	WASHER,LOCK EXTERNAL STEEL	17	17
47	47		9007786-00	F	RETAINER,U-NUT 10-32X	20	16
48	48	B-MD-7411296-0-0	7411296-00	A	HEAT SINK SPACER (KL10)	2	2
49	49	C-IA-7013059-0-0	7013059-05		GROUND STRAP	2	1
50	50	C-IA-7013059-0-0	7013059-04		GROUND STRAP	1	1
51	51		9006565-00	C	NUT,HEX EXT TOOTH LCKWSHR 10-32	21	18
52	52		9006376-08	A	SCREW,CAP SOC HEX 1/4-	2	2
53	53		9008415-00	A	WASHER,FLAT SST	2	2
54	54		9006241-09	A	SCREW,MACH HEX PLN 1/4-	4	4
55	55		9006664-00	A	WASHER,FLAT SST	4	-
56	56		9007651-00	B	WASHER,LOCK EXTERNAL STEEL	10	3
57	57		9008203-00	A	NUT,HEX EXT TOOTH LCKWSHR 1/4-20	1	1
58	58	C-IA-7013059-0-0	7013059-01		GROUND STRIP	2	-
59	59	C-IA-7013059-0-0	7013059-06	A	GROUND STRIP	1	-
60	60		9007867-00		MOUNT, PUSH,CABLE TIE	A/R	-
61	61	C-IA-7414615-0-0	7414615-00		MOUNTING PLATE, CAPACITOR BOX	3	3
62	62		9006037-02	A	SCREW,MACH FLAT PHIL 8-	12	12
63	63		9006568-00	A	NUT,HEX EXT TOOTH LCKWSH 5/16-18	8	8
64	64		9006638-00	A	WASHER,LOCK INTERNAL STEEL	8	8
65	65	D-AD-7016447-0-0	7016447-00		STRAIN RELIEF ASSY	1	1
66	66		3616053-00	A	LABEL,DANGER HIGH VOLTAGE FOR TU	2	-
67	67		3613272-00	B	LABEL,ADH BACK,MYLAR CAP	13	4
68	68	D-IA-7021029-0-0	7021029-03		CABLE, POWER AC	2	-
69	69		9007083-00	A	CLAMP,CABLE,SCREW MTD. 3/8 "	A/R	A/R
70	70		9007032-00		TIE,CABLE BUNDL.DIA 0-1-3/4"=101	A/R	A/R
71	71		1221535-01	A	CLIP,NYLON FOR RF GASKET	90	90
72	72	C-IA-7008288-0-0	7008288-3F		CABLE ASSY	1	-
73	73		1213012-00	A	BLOWER,CENTRIFUGAL 550CFM 208V	1	1
74	74		9008274-00	B	FOAM, TAPE 3/8" X 3/8" BLACK	A/R	A/R

D	I	G	I	T	A	L	TITLE	SECTION A	OF	A	SIZE	CODE	DOCUMENT NUMBER	REV
							CPU CABINET ASSEMBLY						7020326-0-DBP	A

MR A

AUTOMATED BY PRTLST.5R(52)

PARTS LIST

SHEET A3 OF A03

LINE	ITEM	TOP DOCUMENT	PART NUMBER	MIN REV	DESCRIPTION	QTY	PER VARIATION
						00	01
						A	A
75	75	D-IA-7012343-0-0	7012343-00		SCREEN, DIFFUSER ASSY (C-P-U)	1	1
76	76	A-DC-7409873-0-0	7409873-01	A	PWR CONN DECAL WHITE ON CLEAR	1	1
77	77		1220105-01	A	GASKET,EMI .25"OD	40	40
78	78		3622343-01		LABEL,CPU MODULE UTILIZATION	1	1

D	I	G	I	T	A	L	TITLE	CPU CABINET ASSEMBLY	SECTION A OF A	SIZE	CODE	DOCUMENT NUMBER	REV
										K	PL	7020326-0-DBP	A

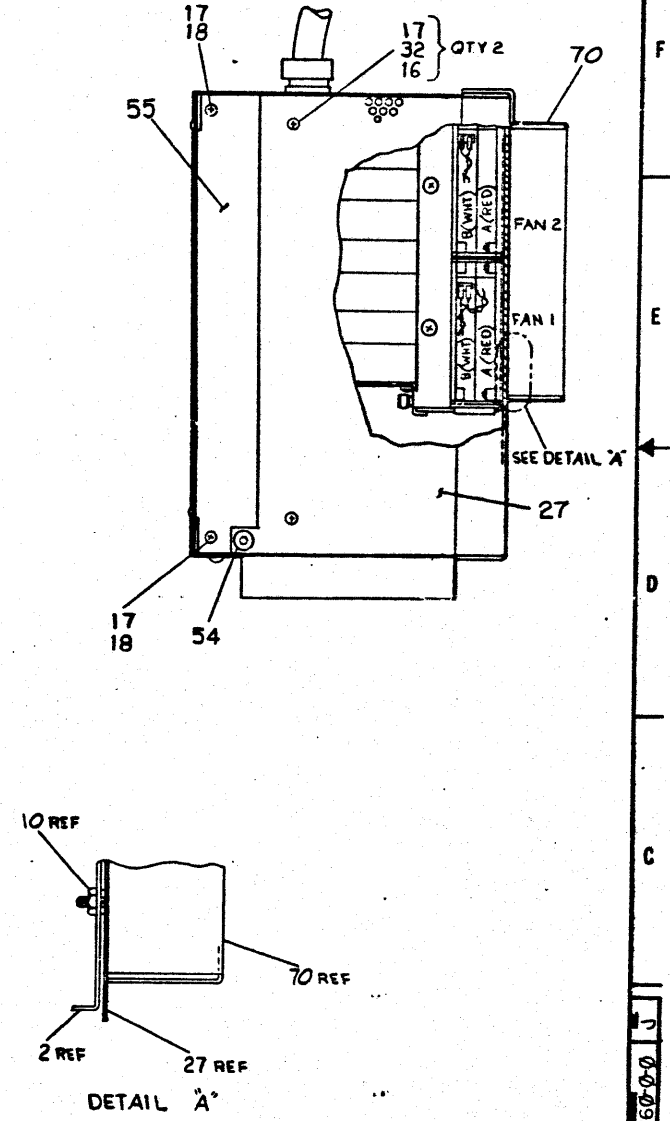
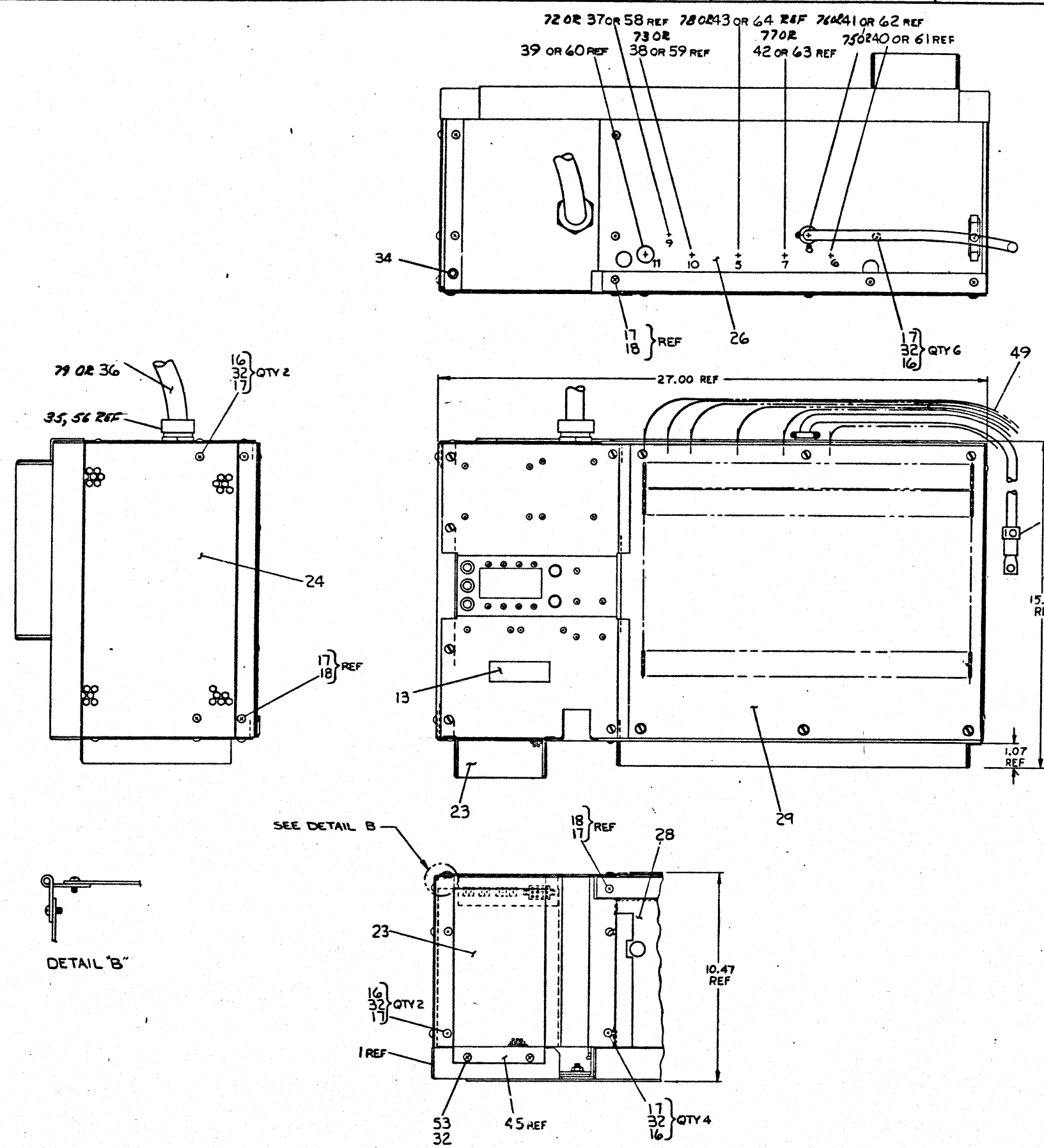
MRO

ALL DIMENSIONS ARE IN INCHES UNLESS OTHERWISE SPECIFIED. REFER TO THE DRAWING FOR DIMENSIONS OF COMPONENTS AND TO THE PART NUMBER FOR THE MANUFACTURE OF THE COMPONENTS. © 1954 DIGITAL EQUIPMENT CORPORATION

LEGEND	
PART NUMBER	VARIATION
H760-A	208V 60HZ
H760-B	416V 50HZ
H760-C	208V 60HZ
H760-D	416V 50HZ
H760-E	208V 60HZ

- NOTES:
1. THIS ASSY HAS AN OFFSHEET PARTS LIST REFER TO R-PL-H760-0-0
  2. TRANSFORMER ITEMS TO BE ASSEMBLED (USING ITEM #10) TO MTG PLATE ITEM #3 PLACES (TYP FOR T1, T2, T3) THEN ATTACH MTG PLATE TO CHASSIS WITH (4) ITEM #10 & 31 (TYP 3 PLACES)
  3. DISENGAGE 4 MTG FASTENERS ON DIODE HEAT SINK ITEM #2 & REMOVE FROM FAN BRKT. (PART OF HEAT SINK) ATTACH FAN BRKT. WITH 4 ITEM #6 & 31 TO CHASSIS ITEM #1 REPLACE DIODE HEAT SINK WHEN ABOVE OPERATION IS COMPLETE
  4. LABEL POINT DESIGNATIONS OF 2AWG CABLES (ITEM 37 & 43) WITH BRADY MARKERS.
  5. INSTALL INSULATOR CAPS (PART OF ITEM 50 & 44) TO CAPACITORS AFTER LEAD CONNECTIONS.
  6. LUG MAY GO ON EITHER SIDE OF TRANSFORMER OR DIODE TERMINALS.
  7. ATTACH MOUNTS WITH ITEM 67 OR EQUIVALENT AND TIE HARNESS (ITEM 20) TO CABLE TIE MOUNTS 3 PLACES.
  8. TORQUE DOWN #2 AWG WIRE MTG. HARDWARE ON TRANSFORMERS T1, T2 & T3 TERMINALS 11 THRU 13 AND DIODE ASSY. 2A TERMINALS 1 THRU 4 AND 9 THRU 12 TO 236 IN.-LBS. (19 PLACES).

J  
H  
F  
E  
D  
C  
B  
A



REV	DATE	BY	CHKD	DESCRIPTION
1	7-15-54	J. HEARD		INITIAL DESIGN
2	7-15-54	J. HEARD		REVISED TO ADD THERMAL PROTECTION
3	7-15-54	J. HEARD		REVISED TO ADD FAN BRACKET
4	7-15-54	J. HEARD		REVISED TO ADD WIRING HARNESS
5	7-15-54	J. HEARD		REVISED TO ADD INSULATOR CAPS
6	7-15-54	J. HEARD		REVISED TO ADD LABELS
7	7-15-54	J. HEARD		REVISED TO ADD MOUNTING HARDWARE
8	7-15-54	J. HEARD		REVISED TO ADD WIRING DIAGRAM
9	7-15-54	J. HEARD		REVISED TO ADD PARTS LIST
10	7-15-54	J. HEARD		REVISED TO ADD DIMENSIONS
11	7-15-54	J. HEARD		REVISED TO ADD TOLERANCES
12	7-15-54	J. HEARD		REVISED TO ADD FINISHES
13	7-15-54	J. HEARD		REVISED TO ADD MATERIALS
14	7-15-54	J. HEARD		REVISED TO ADD NEXT HIGHER ASSY
15	7-15-54	J. HEARD		REVISED TO ADD D-UR
16	7-15-54	J. HEARD		REVISED TO ADD SCALE
17	7-15-54	J. HEARD		REVISED TO ADD SHEET
18	7-15-54	J. HEARD		REVISED TO ADD PART NO.
19	7-15-54	J. HEARD		REVISED TO ADD ITEM NO.
20	7-15-54	J. HEARD		REVISED TO ADD TITLE
21	7-15-54	J. HEARD		REVISED TO ADD NUMBER
22	7-15-54	J. HEARD		REVISED TO ADD SCALE
23	7-15-54	J. HEARD		REVISED TO ADD SHEET
24	7-15-54	J. HEARD		REVISED TO ADD PART NO.
25	7-15-54	J. HEARD		REVISED TO ADD ITEM NO.
26	7-15-54	J. HEARD		REVISED TO ADD TITLE
27	7-15-54	J. HEARD		REVISED TO ADD NUMBER
28	7-15-54	J. HEARD		REVISED TO ADD SCALE
29	7-15-54	J. HEARD		REVISED TO ADD SHEET
30	7-15-54	J. HEARD		REVISED TO ADD PART NO.
31	7-15-54	J. HEARD		REVISED TO ADD ITEM NO.
32	7-15-54	J. HEARD		REVISED TO ADD TITLE
33	7-15-54	J. HEARD		REVISED TO ADD NUMBER
34	7-15-54	J. HEARD		REVISED TO ADD SCALE
35	7-15-54	J. HEARD		REVISED TO ADD SHEET
36	7-15-54	J. HEARD		REVISED TO ADD PART NO.
37	7-15-54	J. HEARD		REVISED TO ADD ITEM NO.
38	7-15-54	J. HEARD		REVISED TO ADD TITLE
39	7-15-54	J. HEARD		REVISED TO ADD NUMBER
40	7-15-54	J. HEARD		REVISED TO ADD SCALE
41	7-15-54	J. HEARD		REVISED TO ADD SHEET
42	7-15-54	J. HEARD		REVISED TO ADD PART NO.
43	7-15-54	J. HEARD		REVISED TO ADD ITEM NO.
44	7-15-54	J. HEARD		REVISED TO ADD TITLE
45	7-15-54	J. HEARD		REVISED TO ADD NUMBER
46	7-15-54	J. HEARD		REVISED TO ADD SCALE
47	7-15-54	J. HEARD		REVISED TO ADD SHEET
48	7-15-54	J. HEARD		REVISED TO ADD PART NO.
49	7-15-54	J. HEARD		REVISED TO ADD ITEM NO.
50	7-15-54	J. HEARD		REVISED TO ADD TITLE
51	7-15-54	J. HEARD		REVISED TO ADD NUMBER
52	7-15-54	J. HEARD		REVISED TO ADD SCALE
53	7-15-54	J. HEARD		REVISED TO ADD SHEET
54	7-15-54	J. HEARD		REVISED TO ADD PART NO.
55	7-15-54	J. HEARD		REVISED TO ADD ITEM NO.
56	7-15-54	J. HEARD		REVISED TO ADD TITLE
57	7-15-54	J. HEARD		REVISED TO ADD NUMBER
58	7-15-54	J. HEARD		REVISED TO ADD SCALE
59	7-15-54	J. HEARD		REVISED TO ADD SHEET
60	7-15-54	J. HEARD		REVISED TO ADD PART NO.
61	7-15-54	J. HEARD		REVISED TO ADD ITEM NO.
62	7-15-54	J. HEARD		REVISED TO ADD TITLE
63	7-15-54	J. HEARD		REVISED TO ADD NUMBER
64	7-15-54	J. HEARD		REVISED TO ADD SCALE
65	7-15-54	J. HEARD		REVISED TO ADD SHEET
66	7-15-54	J. HEARD		REVISED TO ADD PART NO.
67	7-15-54	J. HEARD		REVISED TO ADD ITEM NO.
68	7-15-54	J. HEARD		REVISED TO ADD TITLE
69	7-15-54	J. HEARD		REVISED TO ADD NUMBER
70	7-15-54	J. HEARD		REVISED TO ADD SCALE
71	7-15-54	J. HEARD		REVISED TO ADD SHEET
72	7-15-54	J. HEARD		REVISED TO ADD PART NO.
73	7-15-54	J. HEARD		REVISED TO ADD ITEM NO.
74	7-15-54	J. HEARD		REVISED TO ADD TITLE
75	7-15-54	J. HEARD		REVISED TO ADD NUMBER
76	7-15-54	J. HEARD		REVISED TO ADD SCALE
77	7-15-54	J. HEARD		REVISED TO ADD SHEET
78	7-15-54	J. HEARD		REVISED TO ADD PART NO.
79	7-15-54	J. HEARD		REVISED TO ADD ITEM NO.
80	7-15-54	J. HEARD		REVISED TO ADD TITLE
81	7-15-54	J. HEARD		REVISED TO ADD NUMBER
82	7-15-54	J. HEARD		REVISED TO ADD SCALE
83	7-15-54	J. HEARD		REVISED TO ADD SHEET
84	7-15-54	J. HEARD		REVISED TO ADD PART NO.
85	7-15-54	J. HEARD		REVISED TO ADD ITEM NO.
86	7-15-54	J. HEARD		REVISED TO ADD TITLE
87	7-15-54	J. HEARD		REVISED TO ADD NUMBER
88	7-15-54	J. HEARD		REVISED TO ADD SCALE
89	7-15-54	J. HEARD		REVISED TO ADD SHEET
90	7-15-54	J. HEARD		REVISED TO ADD PART NO.
91	7-15-54	J. HEARD		REVISED TO ADD ITEM NO.
92	7-15-54	J. HEARD		REVISED TO ADD TITLE
93	7-15-54	J. HEARD		REVISED TO ADD NUMBER
94	7-15-54	J. HEARD		REVISED TO ADD SCALE
95	7-15-54	J. HEARD		REVISED TO ADD SHEET
96	7-15-54	J. HEARD		REVISED TO ADD PART NO.
97	7-15-54	J. HEARD		REVISED TO ADD ITEM NO.
98	7-15-54	J. HEARD		REVISED TO ADD TITLE
99	7-15-54	J. HEARD		REVISED TO ADD NUMBER
100	7-15-54	J. HEARD		REVISED TO ADD SCALE

REV	DATE	BY	CHKD	DESCRIPTION
1	7-15-54	J. HEARD		INITIAL DESIGN
2	7-15-54	J. HEARD		REVISED TO ADD THERMAL PROTECTION
3	7-15-54	J. HEARD		REVISED TO ADD FAN BRACKET
4	7-15-54	J. HEARD		REVISED TO ADD WIRING HARNESS
5	7-15-54	J. HEARD		REVISED TO ADD INSULATOR CAPS
6	7-15-54	J. HEARD		REVISED TO ADD LABELS
7	7-15-54	J. HEARD		REVISED TO ADD MOUNTING HARDWARE
8	7-15-54	J. HEARD		REVISED TO ADD WIRING DIAGRAM
9	7-15-54	J. HEARD		REVISED TO ADD PARTS LIST
10	7-15-54	J. HEARD		REVISED TO ADD DIMENSIONS
11	7-15-54	J. HEARD		REVISED TO ADD TOLERANCES
12	7-15-54	J. HEARD		REVISED TO ADD FINISHES
13	7-15-54	J. HEARD		REVISED TO ADD MATERIALS
14	7-15-54	J. HEARD		REVISED TO ADD NEXT HIGHER ASSY
15	7-15-54	J. HEARD		REVISED TO ADD D-UR
16	7-15-54	J. HEARD		REVISED TO ADD SCALE
17	7-15-54	J. HEARD		REVISED TO ADD SHEET
18	7-15-54	J. HEARD		REVISED TO ADD PART NO.
19	7-15-54	J. HEARD		REVISED TO ADD ITEM NO.
20	7-15-54	J. HEARD		REVISED TO ADD TITLE
21	7-15-54	J. HEARD		REVISED TO ADD NUMBER
22	7-15-54	J. HEARD		REVISED TO ADD SCALE
23	7-15-54	J. HEARD		REVISED TO ADD SHEET
24	7-15-54	J. HEARD		REVISED TO ADD PART NO.
25	7-15-54	J. HEARD		REVISED TO ADD ITEM NO.
26	7-15-54	J. HEARD		REVISED TO ADD TITLE
27	7-15-54	J. HEARD		REVISED TO ADD NUMBER
28	7-15-54	J. HEARD		REVISED TO ADD SCALE
29	7-15-54	J. HEARD		REVISED TO ADD SHEET
30	7-15-54	J. HEARD		REVISED TO ADD PART NO.
31	7-15-54	J. HEARD		REVISED TO ADD ITEM NO.
32	7-15-54	J. HEARD		REVISED TO ADD TITLE
33	7-15-54	J. HEARD		REVISED TO ADD NUMBER
34	7-15-54	J. HEARD		REVISED TO ADD SCALE
35	7-15-54	J. HEARD		REVISED TO ADD SHEET
36	7-15-54	J. HEARD		REVISED TO ADD PART NO.
37	7-15-54	J. HEARD		REVISED TO ADD ITEM NO.
38	7-15-54	J. HEARD		REVISED TO ADD TITLE
39	7-15-54	J. HEARD		REVISED TO ADD NUMBER
40	7-15-54	J. HEARD		REVISED TO ADD SCALE
41	7-15-54	J. HEARD		REVISED TO ADD SHEET
42	7-15-54	J. HEARD		REVISED TO ADD PART NO.
43	7-15-54	J. HEARD		REVISED TO ADD ITEM NO.
44	7-15-54	J. HEARD		REVISED TO ADD TITLE
45	7-15-54	J. HEARD		REVISED TO ADD NUMBER
46	7-15-54	J. HEARD		REVISED TO ADD SCALE
47	7-15-54	J. HEARD		REVISED TO ADD SHEET
48	7-15-54	J. HEARD		REVISED TO ADD PART NO.
49	7-15-54	J. HEARD		REVISED TO ADD ITEM NO.
50	7-15-54	J. HEARD		REVISED TO ADD TITLE
51	7-15-54	J. HEARD		REVISED TO ADD NUMBER
52	7-15-54	J. HEARD		REVISED TO ADD SCALE
53	7-15-54	J. HEARD		REVISED TO ADD SHEET
54	7-15-54	J. HEARD		REVISED TO ADD PART NO.
55	7-15-54	J. HEARD		REVISED TO ADD ITEM NO.
56	7-15-54	J. HEARD		REVISED TO ADD TITLE
57	7-15-54	J. HEARD		REVISED TO ADD NUMBER
58	7-15-54	J. HEARD		REVISED TO ADD SCALE
59	7-15-54	J. HEARD		REVISED TO ADD SHEET
60	7-15-54	J. HEARD		REVISED TO ADD PART NO.
61	7-15-54	J. HEARD		REVISED TO ADD ITEM NO.
62	7-15-54	J. HEARD		REVISED TO ADD TITLE
63	7-15-54	J. HEARD		REVISED TO ADD NUMBER
64	7-15-54	J. HEARD		REVISED TO ADD SCALE
65	7-15-54	J. HEARD		REVISED TO ADD SHEET
66	7-15-54	J. HEARD		REVISED TO ADD PART NO.
67	7-15-54	J. HEARD		REVISED TO ADD ITEM NO.
68	7-15-54	J. HEARD		REVISED TO ADD TITLE
69	7-15-54	J. HEARD		REVISED TO ADD NUMBER
70	7-15-54	J. HEARD		REVISED TO ADD SCALE
71	7-15-54	J. HEARD		REVISED TO ADD SHEET
72	7-15-54	J. HEARD		REVISED TO ADD PART NO.
73	7-15-54	J. HEARD		REVISED TO ADD ITEM NO.
74	7-15-54	J. HEARD		REVISED TO ADD TITLE
75	7-15-54	J. HEARD		REVISED TO ADD NUMBER
76	7-15-54	J. HEARD		REVISED TO ADD SCALE
77	7-15-54	J. HEARD		REVISED TO ADD SHEET
78	7-15-54	J. HEARD		REVISED TO ADD PART NO.
79	7-15-54	J. HEARD		REVISED TO ADD ITEM NO.
80	7-15-54	J. HEARD		REVISED TO ADD TITLE
81	7-15-54	J. HEARD		REVISED TO ADD NUMBER
82	7-15-54	J. HEARD		REVISED TO ADD SCALE
83	7-15-54	J. HEARD		REVISED TO ADD SHEET
84	7-15-54	J. HEARD		REVISED TO ADD PART NO.
85	7-15-54	J. HEARD		REVISED TO ADD ITEM NO.
86	7-15-54	J. HEARD		REVISED TO ADD TITLE
87	7-15-54	J. HEARD		REVISED TO ADD NUMBER
88	7-15-54	J. HEARD		REVISED TO ADD SCALE
89	7-15-54	J. HEARD		REVISED TO ADD SHEET
90	7-15-54	J. HEARD		REVISED TO ADD PART NO.
91	7-15-54	J. HEARD		REVISED TO ADD ITEM NO.
92	7-15-54	J. HEARD		REVISED TO ADD TITLE
93	7-15-54	J. HEARD		REVISED TO ADD NUMBER
94	7-15-54	J. HEARD		REVISED TO ADD SCALE
95	7-15-54	J. HEARD		REVISED TO ADD SHEET
96	7-15-54	J. HEARD		REVISED TO ADD PART NO.
97	7-15-54	J. HEARD		REVISED TO ADD ITEM NO.
98	7-15-54	J. HEARD		REVISED TO ADD TITLE
99	7-15-54	J. HEARD		REVISED TO ADD NUMBER
100	7-15-54	J. HEARD		REVISED TO ADD SCALE

H760-0-0

H760-0-0







AUTOMATED BY PRTLST.5R(55)

PARTS LIST

MR  
SHEET A1 OF A3

LINE	ITEM	TOP DOCUMENT	PART NUMBER	MIN REV	DESCRIPTION	QTY PER VARIATION				
						A	B	C	D	E
1	1		7410892-00		CHASSIS POW SUPPLY-KL10	1	1	1	1	1
2	2		7009409-00		DIODE HEAT SINK ASSY (H760-A)	1	1	1	1	1
3	3		1611490-00		*** THIS ITEM IS NOT USED ***	-	-	-	-	-
4	4		7410893-00		PLATE MOUNT-KL10	3	3	3	3	3
5	5		1611491-00		XFMRF P=AB S=12DC @200A	3	-	3	-	3
6	6		7009410-01		PLATE MTG COMP ASSY 60HZ.	1	-	1	-	1
7	7		7410903-00		HINGE REWORK KL10	1	1	1	1	1
8	8		7410902-02		COVER ANGLE MTG KL10	1	1	1	1	1
9	9		7410902-01		COVER ANGLE MTG KL10	1	1	1	1	1
10	10		9008203-00		NUT,HEX EXT TOOTH LCKWSHR 1/4-20	22	22	22	22	22
11	11		9006057-02		SCREW,MACH FLAT PHIL 1/4-	6	6	6	6	6
12	12		9008196-00		FASTENER,1/4 TURN RECP	12	12	12	12	12
13	13		9009255-00		LABEL, POWER SUPPLY, 2-15/16 " L	1	1	1	1	1
14	14		9007031-00		TIE,CABLE BUNDL.DIA 0- 3/4"=101	12	12	12	12	12
15	15		9003185-00		NUT,HEX EXT TOOTH LCKWSHR 6-32	12	12	12	12	12
16	16		9007786-00		RETAINER,U-NUT 10-32X	16	16	16	16	16
17	17		9006072-01		SCREW,MACH PAN PHIL 10-	27	27	27	27	27
18	18		9006565-00		NUT,HEX EXT TOOTH LCKWSHR 10-32	11	11	11	11	11
19	19		9008922-09		SCREW,MACH HEX PLN 3/8-	19	19	19	19	19
20	20		7009744-00		HARNES (H760-A)	1	1	1	1	1
21	21		1211514-00		TERM,RING .250STUD PLAG	12	12	12	12	12
22	22		9107764-66		WIRE, 02AWG(665/30)PVC 600V1	A/R	A/R	A/R	A/R	A/R
23	23		7009772-00		SCREEN WELDMENT #2-KL10 (H760)	1	1	1	1	1
24	24		7411558-01		COVER PROTECT #3 (KL10)-7X14	1	1	1	1	1
25	25		9006639-00		WASHER,LOCK INTERNAL STEEL	19	19	19	19	19
26	26		7411586-00		PLATE PROTECTION KL10	1	1	1	1	1
27	27		7411558-02		COVER PROTECT #3 (KL10)-8X14	1	1	1	1	1
28	28		7009773-00		SCREEN WELDMENT #2 KL10 (H760)	1	1	1	1	1
29	29		7410898-00		COVER P.S. KL10	1	1	1	1	1
30	30		9006071-01		*** THIS ITEM IS NOT USED ***	-	-	-	-	-

REVISION HISTORY			BASIC PART NO: H760		DRM: V.SOOZA		DATE: 16-JAN-74		DIGITAL		
ENGI	ECO NUMBER	REV	SECTION A OF A	CHK'D:	D.HEALY	DATE:	28-JAN-74	TITLE PARTS LIST			
INITIAL		J	SECTION VARIATION INDEX	DES.ENG: J.DREW		DATE:	6-SEPT-74	DOCUMENT NUMBER			
			[A] A , B , C , D , E			DATE:	28-JAN-74	SIZE	CODE	NUMBER	REV
			[B] B	RESP.ENG.: ROBAIN		DATE:	28-JAN-74	K	PL	H760-0-D8P	J
			[C] C	IMP.G.ENG.: D.HEALY		DATE:	6-SEPT-74	RELEASE DATE: 06-MAR-84			
			[D] D	ASSEMBLY NUMBER:		TOP DOCUMENT NUMBER:	FILE NAME:		EDIT #		
			[E] E	E-UA-H760-0-0BP		E-UA-H760-0-0BP	Z6850J.PLS		8		

"THIS DRAWING AND THE SPECIFICATIONS CONTAINED HEREIN ARE CONFIDENTIAL AND PROPRIETARY. THEY ARE THE PROPERTY OF DIGITAL EQUIPMENT CORPORATION AND SHALL NOT BE REPRODUCED OR COPIED OR USED IN WHOLE OR IN PART AS THE BASIS FOR THE MANUFACTURE OR SALE OF ITEMS WITHOUT WRITTEN PERMISSION. THIS IS AN UNPUBLISHED WORK PROTECTED UNDER THE FEDERAL COPYRIGHT LAWS."

AD

AUTOMATED BY PRTLST.5R(55)

PARTS LIST

SHEET A2 OF A3

MR

LINE	ITEM	TOP DOCUMENT	PART NUMBER	MIN REV	DESCRIPTION	QTY PER VARIATION				
						A	B	C	D	E
31	31		9008415-00		WASHER, FLAT SST	10	10	10	10	10
32	32		9006635-00		WASHER, LOCK INTERNAL STEEL	21	21	21	21	21
33	33		9006593-00		NUT, HEX 3/8-16X .557AP SS/M	19	19	19	19	19
34	34		9007013-00		GROMMET, ROUND RUBBER	1	1	1	1	1
35	35		1211198-03		STRAIN RELIEF FOR PWR CORD	1	1	1	1	1
36	36		7011036-00		POWER CORD [H760]	1	1	1	1	1
37	37		7010844-01		CABLE POWER NO.1 KL10 5FT	1	1	-	-	-
38	38		7010844-02		CABLE POWER NO.1 KL10 6FT	1	1	-	-	-
39	39		7010844-03		CABLE POWER NO.1 KL10 6FT-8INCH	1	1	-	-	-
40	40		7010845-01		CABLE POWER NO.2 KL10 4FT-4INCH	1	1	-	-	-
41	41		7010845-02		CABLE POWER NO.2 KL10 4FT-2INCH	1	1	-	-	-
42	42		7010845-03		CABLE POWER NO.2 KL10 4FT-11.75	1	1	-	-	-
43	43		7010845-04		CABLE POWER NO.2 KL10 4FT-3INCH	1	1	-	-	-
44	44		1611985-00		XFMRF P=B S=-12DC2200A T	-	3	-	3	-
45	45		7413131-00		BRKT MTG NO 1 CAP H760	1	1	1	1	1
46	46		7010838-00		SUPPORT CAP WELDMENT H760	1	1	1	1	1
47	47		7009410-02		PLATE MTG COMP ASSY 50HZ	-	1	-	1	-
48	48		9007772-11		*** THIS ITEM IS NOT USED ***	-	-	-	-	-
49	49		9007032-00		TIE, CABLE BUNDL. DIA 0-1-3/4"=101	12	12	12	12	12
50	50		9006074-02		*** THIS ITEM IS NOT USED ***	-	-	-	-	-
51	51		9009002-00		TERM BLOCK JUMPER	-	2	-	2	-
52	52		9006653-00		WASHER, FLAT STEEL	12	12	12	12	12
53	53		9006071-03		SCREW, MACH TRUSS PHIL 10-	4	4	4	4	4
54	54		9007857-00		GROMMET, ROUND RUBBER	1	1	1	1	1
55	55		7413454-00		SUPPORT COVER	1	1	1	1	1
56	56		9009309-02		NUT, LOCK 1-11-1/2 S/T	1	1	1	1	1
57	57		9007651-00		WASHER, LOCK EXTERNAL STEEL	1	1	1	1	1
58	58		7012467-00		POWER CABLE 3 (4FT 6INS)	-	-	1	1	-
59	59		7012467-01		POWER CABLE 3 (5FT.4INS)	-	-	1	1	-
60	60		7012467-02		POWER CABLE 3 (5FT.9IN)	-	-	1	1	-
61	61		7012468-00		CABLE ASSY (KL10-C)	-	-	1	1	-
62	62		7012468-01		POWER CABLE 4 (4FT-3IN)	-	-	1	1	-
63	63		7012468-02		POWER CABLE 4 (5FT-1IN)	-	-	1	1	-
64	64		7012468-03		POWER CABLE 4 (5FT-2IN)	-	-	1	1	-
65	65		9009309-00		NUT, LOCK 1/2-14 S/T	-	-	7	7	7
66	66		9008264-00		MOUNT, CABLE TIE, ADHESIVE BACKE	3	3	3	3	3
67	67		9009157-00		ADH, LIQ. RM. TEMP CURING COLORLESS	A/R	A/R	A/R	A/R	A/R
68	68		9107370-00		WIRE, 14AWG19/.0147IPVC 150V	-	A/R	-	A/R	-
69	69		9007927-00		TERM, RING #5, 6STUD CRIMP 14-1	-	2	-	2	-
70	70		7417235-00		DRIP SCREEN	1	1	-	-	-
71	71		9006784-00		/REPLACED BY 90-06724-00	18	18	18	18	18
72	72		7020493-00		POWER CABLE NO. 5	-	-	-	-	1
73	73		7020493-01		POWER CABLE NO. 5	-	-	-	-	1
74	74		7020493-02		POWER CABLE NO. 5	-	-	-	-	1
75	75		7020493-03		POWER CABLE NO. 5	-	-	-	-	1
76	76		7020493-04		CABLE POWER 5	-	-	-	-	1
77	77		7020493-05		CABLE POWER 5	-	-	-	-	1
78	78		7020493-05		CABLE POWER 5	-	-	-	-	1

D	I	G	I	T	A	L	TITLE	SECTION	SIZE	CODE	DOCUMENT NUMBER	REV
							RAW POWER SUPPLY	A			H760-0-DBP	J

MR

MR

AUTOMATED BY PRTLST.5R(55)

PARTS LIST

SHEET A3 OF A3

LINE ITEM TOP DOCUMENT

PART NUMBER	MIN REV	DESCRIPTION	VARIATION REVISION LEVEL:				
			A	B	C	D	E
7011036-01		POWER CORD H760	-	-	-	-	1

QTY PER VARIATION

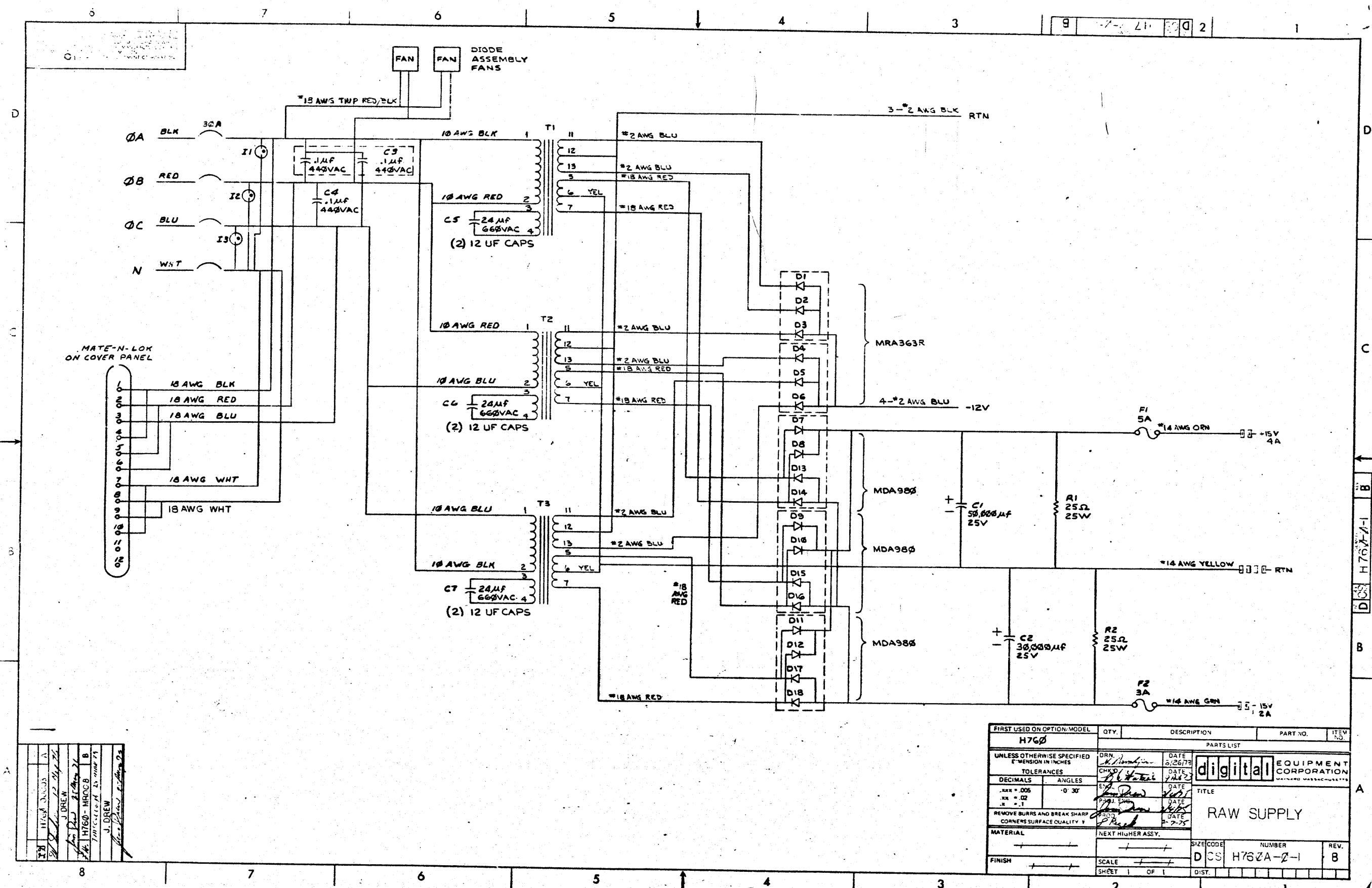
79 79

7011036-01 POWER CORD H760

A B C D E  
- - - - 1

D I G I T A L	TITLE	RAW POWER SUPPLY	SECTION A OF A	SIZE CODE	DOCUMENT NUMBER	REV
				K PL	H750-0-DBP	J

MRO



1	DRN	DATE
2	CHKD	DATE
3	BY	DATE
4	POST SWG	DATE
5	PROB	DATE
6	TEST	DATE
7	APP'D	DATE
8	DRW	DATE
9	CHKD	DATE
10	BY	DATE
11	POST SWG	DATE
12	PROB	DATE
13	TEST	DATE
14	APP'D	DATE
15	DRW	DATE
16	CHKD	DATE
17	BY	DATE
18	POST SWG	DATE
19	PROB	DATE
20	TEST	DATE
21	APP'D	DATE
22	DRW	DATE
23	CHKD	DATE
24	BY	DATE
25	POST SWG	DATE
26	PROB	DATE
27	TEST	DATE
28	APP'D	DATE
29	DRW	DATE
30	CHKD	DATE
31	BY	DATE
32	POST SWG	DATE
33	PROB	DATE
34	TEST	DATE
35	APP'D	DATE
36	DRW	DATE
37	CHKD	DATE
38	BY	DATE
39	POST SWG	DATE
40	PROB	DATE
41	TEST	DATE
42	APP'D	DATE
43	DRW	DATE
44	CHKD	DATE
45	BY	DATE
46	POST SWG	DATE
47	PROB	DATE
48	TEST	DATE
49	APP'D	DATE
50	DRW	DATE

FIRST USED ON OPTION/MODEL	QTY.	DESCRIPTION	PART NO.	ITEM NO.
H760				
UNLESS OTHERWISE SPECIFIED DIMENSION IN INCHES				
TOLERANCES				
DECIMALS	ANGLES			
.XXX ± .005	0° 30'			
.XX ± .02				
.X ± .1				
REMOVE BURRS AND BREAK SHARP CORNERS SURFACE QUALITY				
MATERIAL		NEXT HIGHER ASSY.		
FINISH		SCALE		
		SHEET 1 OF 1		
		DIST.		
		SIZE CODE		
		NUMBER		
		REV.		
		D CS H762A-2-1 B		

digital EQUIPMENT CORPORATION  
MILFORD MASSACHUSETTS

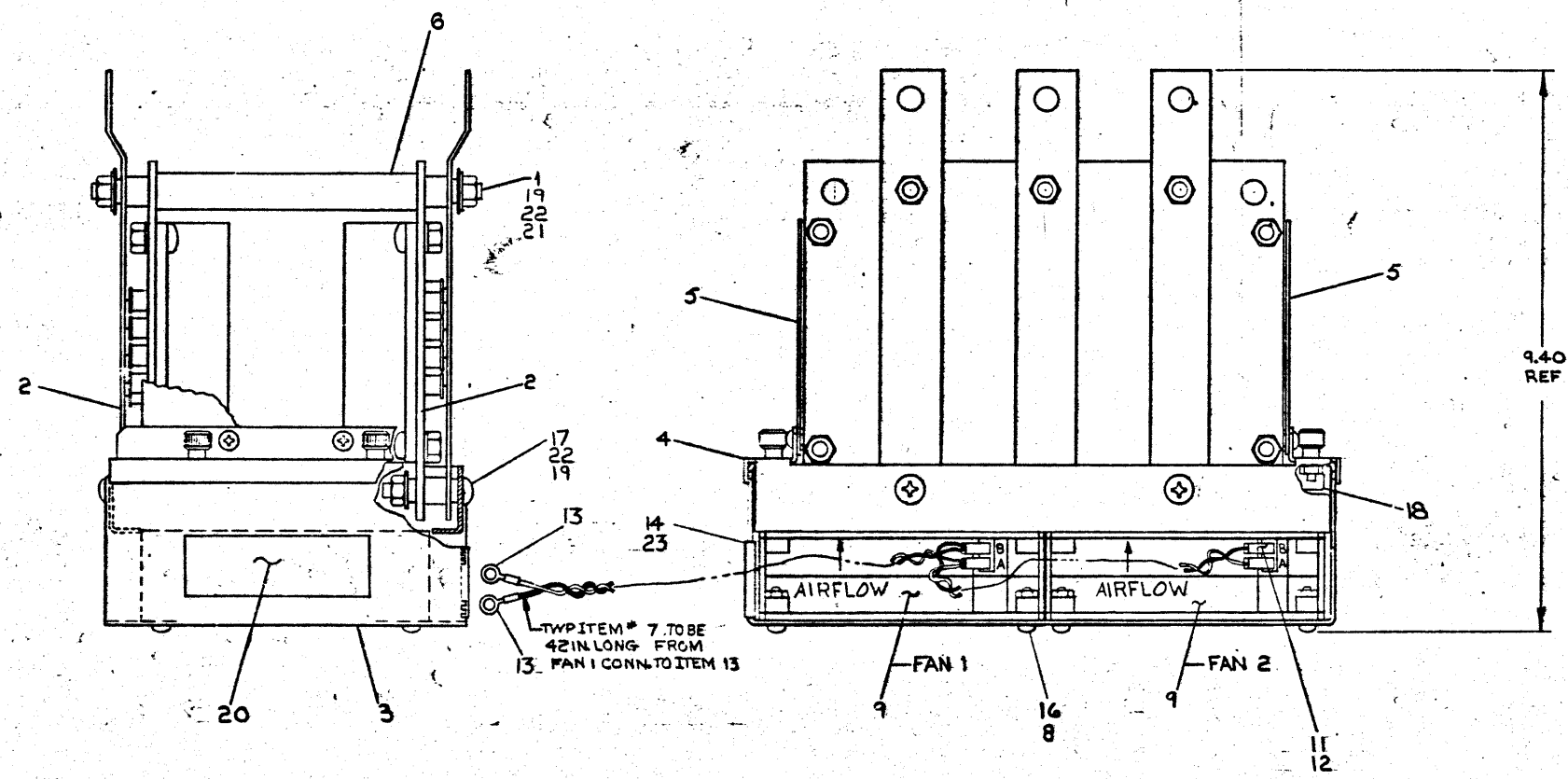
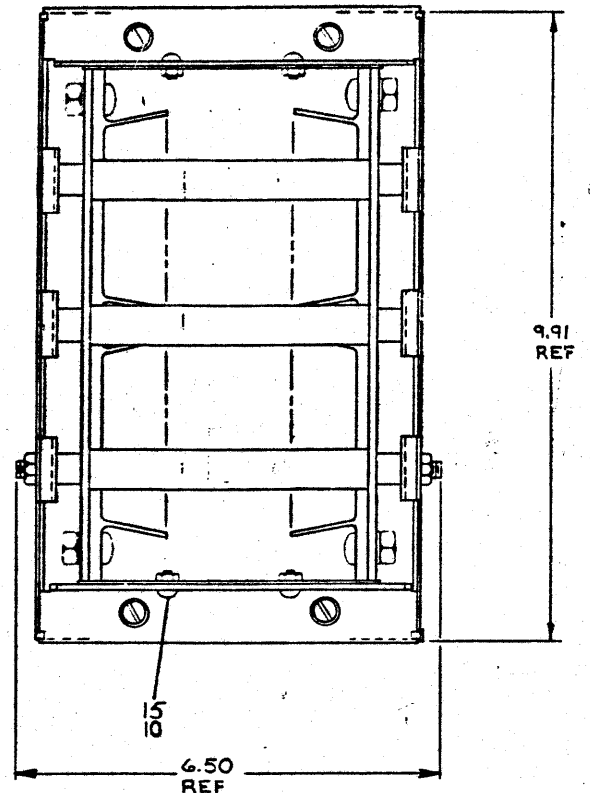
TITLE  
RAW SUPPLY

The drawing and specifications herein are the property of Digital Equipment Corporation and are not to be distributed, copied, or used in any way without the written consent of Digital Equipment Corporation.

DIGITAL EQUIP. CORP.

WIRE TABLE						
ITEM NO.	AWG	COLOR	FROM		TO	
			CONN	WITH	CONN	WITH
7	18	RED	FAN2-A	11-12	FAN1-A*	11-12
7	TWP	WHT	FAN2-B	11-12	FAN1-B*	11-12
7	18	RED	FAN1-A**	11-12	-	13
7	TWP	WHT	FAN1-B**	11-12	-	13

\*CRIMP ITEM #12 TO BOTH RED TWP  
 \*\*CRIMP ITEM #12 TO BOTH WHT TWP



QTY.	DESCRIPTION	PART NO.	REV.
A/R	ADHESIVE, HYBRID 80	9007694	27
10	WASH. FLAT .0250 x .2812 x .06	9007792	22
6	WASHER, NYLON	9009646	21
1	LABEL, ADHESIVE BACKED	9009255	20
10	NUT KEPS 1/4-20	9008203	19
4	NUT, SPRING	9007786	8
4	SCREW, PHL PAN HD 1/4-20 x 1.25	9009450	17
8	SCREW, PHL PAN HD 3/32 x .63	9006025	16
4	SCREW, PHL PAN HD 3/32 x .312	9006036	15
A/R	GROMMET	9007046	4
2	CONN, SOLDERLESS, RED	9007930	13
4	FASTAB TERMINAL	1210820	4
4	FASTAB SOCKET HSG	1210820	1
4	NUT, KEPS 8-32	9008883	10
2	FAN SUPER BOXER	1210930	9
8	NUT, KEPS 8-32	9008880	8
A/R	18 AWG TWP RED/WH	9007430	29
3	SPACER	9009631	6
2	PANEL, BAFFLE	3-WC-411475-0-0	5
1	HEAT SINK SUPPORT	3-WC-411475-0-0	4
1	FAN BRACKET	3-WC-411475-0-0	3
2	DIODE ASSEMBLY	1111495	2
3	ROD, THREADED	3-WC-7411475-0-0	1

FIRST USED OR OPTION/MODEL: KL10

UNLESS OTHERWISE SPECIFIED DIMENSIONS IN INCHES TOLERANCES: DECIMALS: .010 ANGLES: 18°

DATE: 11/11/77

DESIGNED BY: [Signature]

CHECKED BY: [Signature]

APPROVED BY: [Signature]

DATE: 11/11/77

MATERIAL: [Blank]

REWORK: [Blank]

REVISIONS: [Blank]

DATE: [Blank]

BY: [Blank]

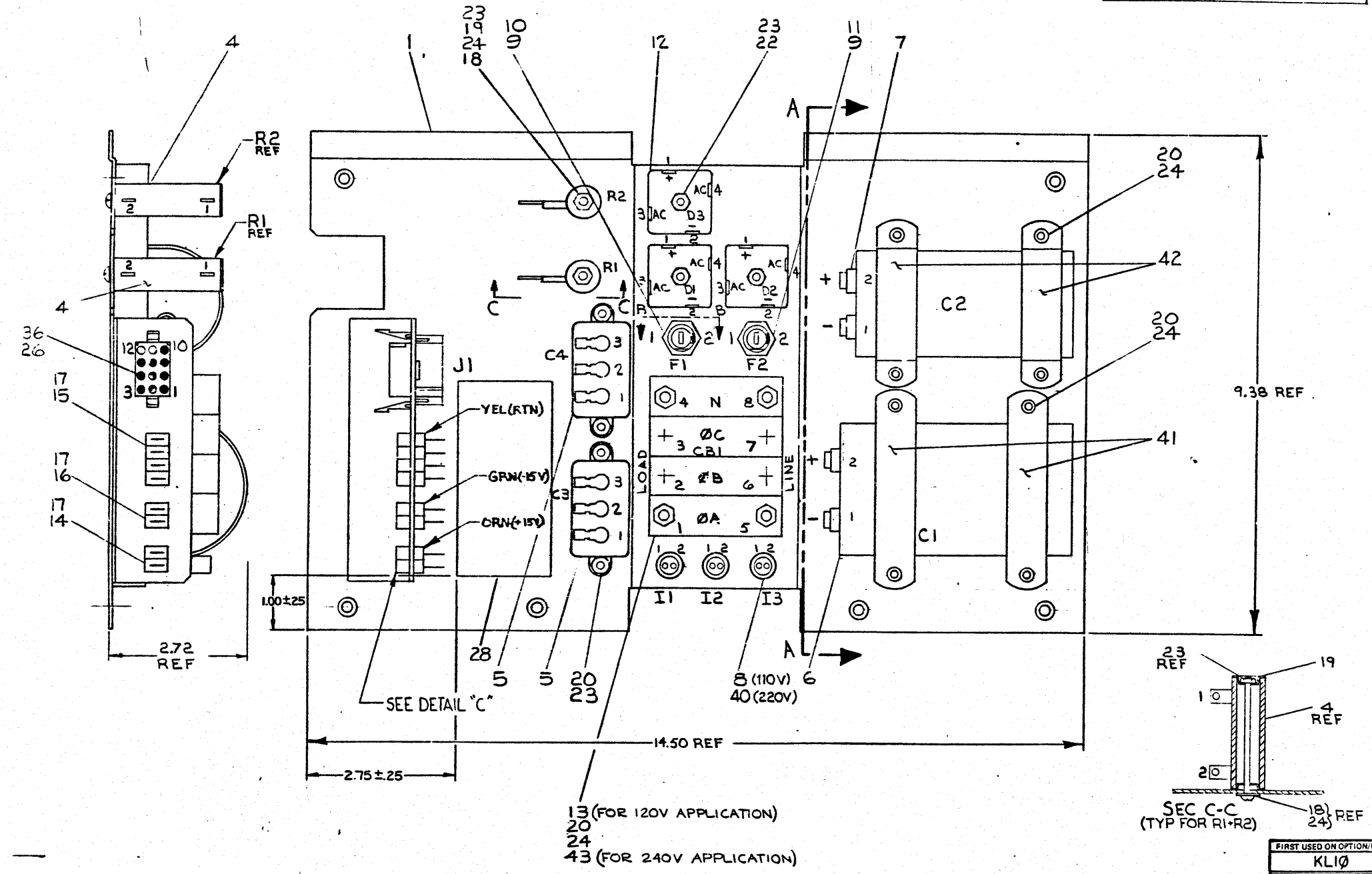
DESCRIPTION: DIODE HEAT SINK ASSY

PART NO.: 9009631

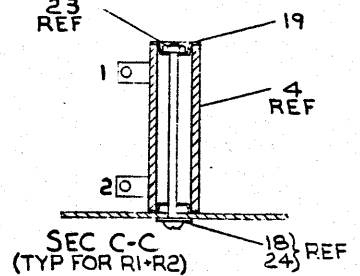
REV.: 6

THIS DRAWING AND SPECIFICATIONS HEREIN ARE THE PROPERTY OF DIGITAL EQUIPMENT CORPORATION AND SHALL NOT BE REPRODUCED OR COPIED OR USED IN WHOLE OR IN PART AS THE BASIS FOR THE MANUFACTURE OR SALE OF ITEMS WITHOUT THE WRITTEN PERMISSION. COPYRIGHT © 1977 DIGITAL EQUIPMENT CORPORATION

LEGEND	
NUMBER	VARIATION
7009410-1	H760-A 60 HZ
7009410-2	H760-B 50 HZ



QTY	DESCRIPTION	PART NO.	ITEM NO.
1	CIRCUIT BREAKER 15A 240V	1212321-01	43
2	CAP. MTG BRKT #1	1214483-0-0	42
2	CAP. MTG BRKT #2	7014453-0-0	41
3	LAMP PILOT	1202556	40
11	CONNECTOR (BLUE)	9007928	39
5	TIES, CABLE	9007031	38
A/R	A/R #18 AWG WIRE STRD INS (WHITE)	9107360-99	37
1	CONN. MAT-N-LOK 12 SKT	1209350-12	36
6	CONN. SC: FELESS	9007694-0	35
A/R	A/R #14 AWG WIRE STRD INS (YELLOW)	9107370-44	34
A/R	A/R #14 AWG WIRE STRD INS (GREEN)	9107370-55	33
A/R	A/R #14 AWG WIRE STRD INS (ORANGE)	9107370-33	32
A/R	A/R #18 AWG WIRE STRD INS (ORANGE)	9107360-33	31
A/R	A/R #18 AWG WIRE STRD INS (RED)	9107360-22	30
A/R	A/R #18 AWG WIRE STRD INS (BLACK)	9107360-00	29
1	LABEL, ADHESIVE BACKED	9009255	28
6	CONNECTOR (RED)	9007930-0	27
10	FEMALE CONTACT	1209379-01	26
13	CONNECTOR (BLUE)	9007919-0	25
18	INT TOOTH LOCK WASHER #6	9006633	24
9	KEP NUT #6-32	9008185	23
3	PHL PAN HD SCR #2-32 x .36 LG.	9007793-1	22
A/R	A/R #18 AWG WIRE STRD INS (BLACK)	9107360-00	21
20	PHL PAN HD SCR #6-32 x .31 LG	9006021-1	20
4	WASHER, CENTERING	9006674	19
2	PHL PAN HD SCR #2-32 x .12 LG	9007850-1	18
8	TERMINAL INSERT	9007238	17
2	BUSH, JUNC. TERM (GRN)	9007236	16
4	BUSH, JUNC. TERM (YEL)	9007233	15
2	BUSH, JUNC. TERM (CRN)	9007234	14
1	CIRCUIT BREAKER 5A 240V	1211037-02	13
3	DIODE PACK	1110168	12
1	FUSE 3A	9007217	11
1	FUSE 5A	9007221	10
2	FUSE HOLDER	9007242	9
3	LAMP, PWR CN IND (RED)	1211263	8
1	CAPACITOR 30,000MFD 25VDC	1010184	7
1	CAPACITOR 50,000MFD 25VDC	1009967-0	6
2	CAPACITOR 2X-1MFD 440VAC	1010193	5
2	RESISTOR 25 OHM 25W 1.0%	1300196	4
1	COMPONENT MTG PLATE	2-ND-741C811-0-0	1



REV	CHANGE NO.	DATE	BY	CHK
A	H760-00001	12/17/77	J. DREW	J. DREW
B	H760-00002	1/13/78	J. DREW	J. DREW
C	7009410-00001	18 August 77	N. HEARD	N. HEARD
D	H760-00003	19 Aug 77	J. DREW	J. DREW
E	H760-00004	1/11/78	J. DREW	J. DREW

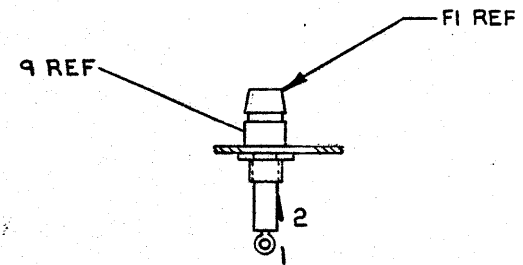
FIRST USED ON OPTION/MODEL	QTY.	DESCRIPTION	PART NO.	ITEM NO.
KLIØ				
UNLESS OTHERWISE SPECIFIED DIMENSION IN INCHES				
TOLERANCES				
DECIMALS	ANGLES	DATE		
.XXX = .005	±0° 30'	DATE	digital EQUIPMENT CORPORATION	
.XX = .02		DATE	TITLE	
.X = .1		DATE	COMPONENT MTG PLATE ASSY	
REMOVE BURRS AND BREAK SHARP CORNERS SURFACE QUALITY V				
MATERIAL	NEXT HIGHER ASSY.	SCALE	NUMBER	REV.
	D-UA-4760-0-0	NONE	DAD 7009410-0-C	D
FINISH	SHEET	OF	DIST.	
	1	2		

THIS DRAWING AND SPECIFICATIONS HEREIN ARE THE PROPERTY OF DIGITAL EQUIPMENT CORPORATION AND SHALL NOT BE REPRODUCED OR COPIED OR USED IN WHOLE OR IN PART AS THE BASIS FOR THE MANUFACTURE OR SALE OF ITEMS WITHOUT THE WRITTEN PERMISSION OF DIGITAL EQUIPMENT CORPORATION

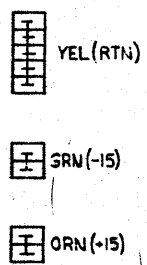
WIRE TABLE

ITEM NO.	DESCRIPTION	FROM			TO		
		AWG	COLOR	POINT CONNECTION WITH	POINT CONNECTION WITH	CONNECTION WITH	
8	*22	BLK	I1-2			27	
8	*22	BLK	I2-2			27	
8	*22	BLK	I3-2			27	
8	*22	BLK	I1-1			39	
29	18	BLK	J1-1	26		26	
8	*22	BLK	I2-1			39	
30	18	RED	J1-2	26		26	
8	*22	BLK	I3-1			39	
31	18	ORN	J1-3	26		26	
29	18	BLK	C3-1	SOLD		27	
29	18	BLK	C3-2	SOLD		39	
29	18	BLK	C4-1	SOLD		39	
29	18	BLK	C3-3	SOLD		39	
29	18	BLK	C4-2	SOLD		39	
32	14	ORN	D1-1	25+35		25+35	
32	14	ORN	D2-1	25		25+35	
32	14	ORN	D3-1	25		39	
32	14	ORN	R1-1	SOLD		25	
32	14	ORN	F1-1	SOLD		SOLD	
33	14	GRN	D1-2	25+35		25+35	
33	14	GRN	D2-2	25		25+35	
33	14	GRN	D3-2	25		39	
33	14	GRN	R2-1	SOLD		25	
33	14	GRN	F2-1	SOLD		SOLD	
34	14	YEL	C1-1(NEG)	39		39	
34	14	YEL	C2-2(POS)	39		SOLD	
34	14	YEL	R1-2	SOLD		SOLD	
34	14	YEL	R2-2	SOLD		SOLD	
37	18	WHT	J1-10	26		27	
37	18	WHT				26	
34	14	YEL	C1-1 (NEG)	39		25	
37	18	WHT	CBI-4	27			
37	18	WHT	J1-9	26		26	

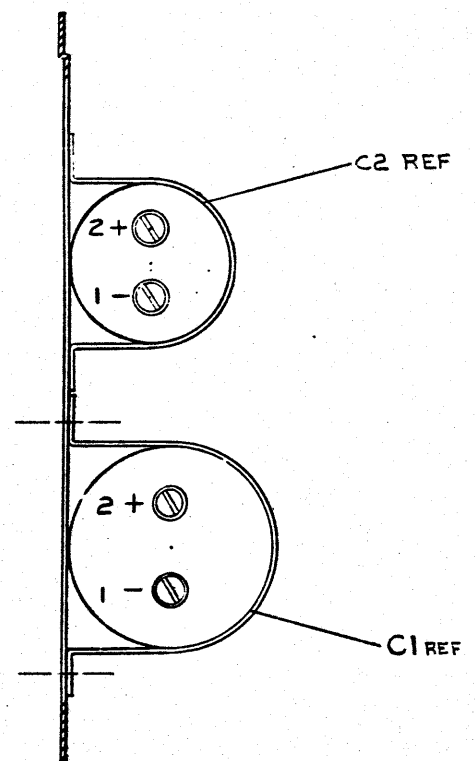
\* #22 AWG BLK WIRE PART OF INDICATOR LAMP ITEM #8  
 \*\* SEE DETIAL 'C'



SECTION B-B  
(TYP FOR FI F2)



DETAIL 'C'  
(BUS YEL, GRN & ORN WIRES AS SHOWN)  
TURNED TO SHOW TERMINALS



SECTION A-A

REVISIONS		
CHK	CHANGE NO	REV



8

7

6

5

4

3

V 8-0-1974 QID 2

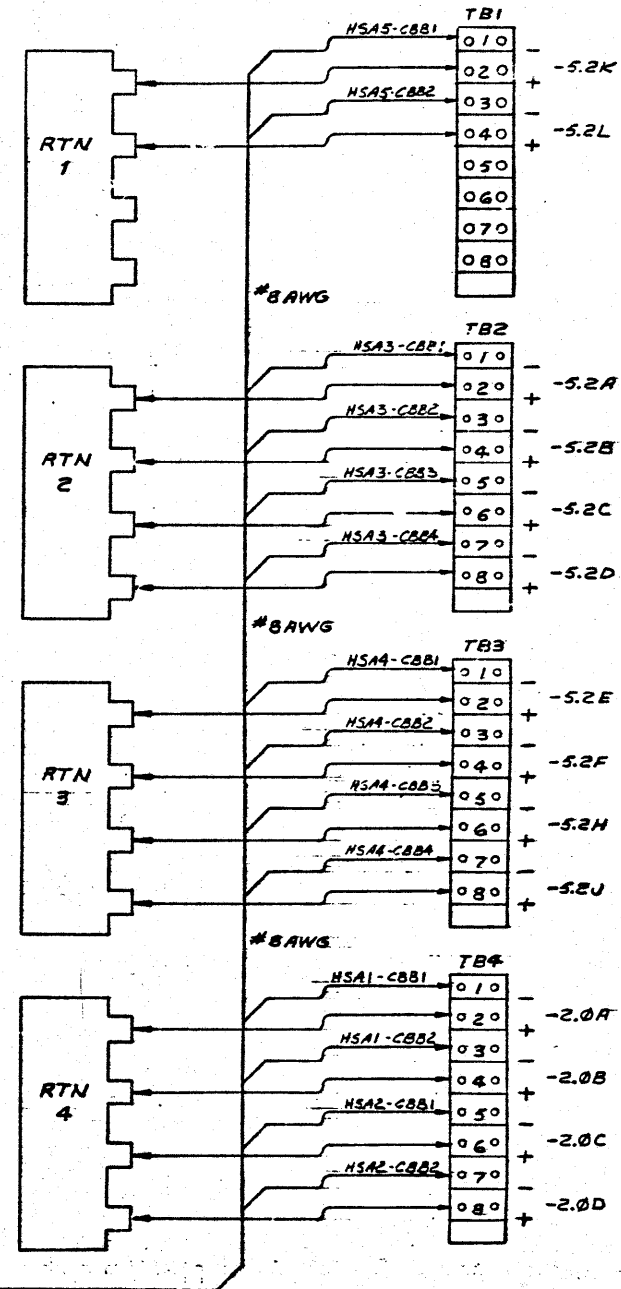
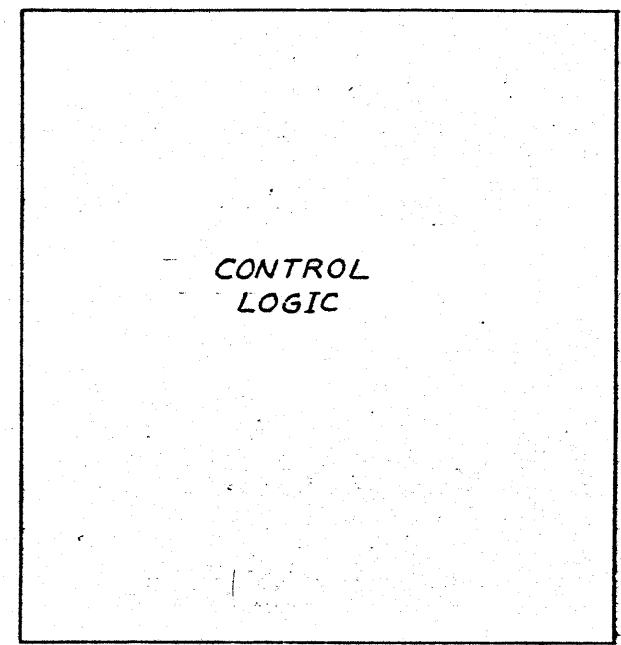
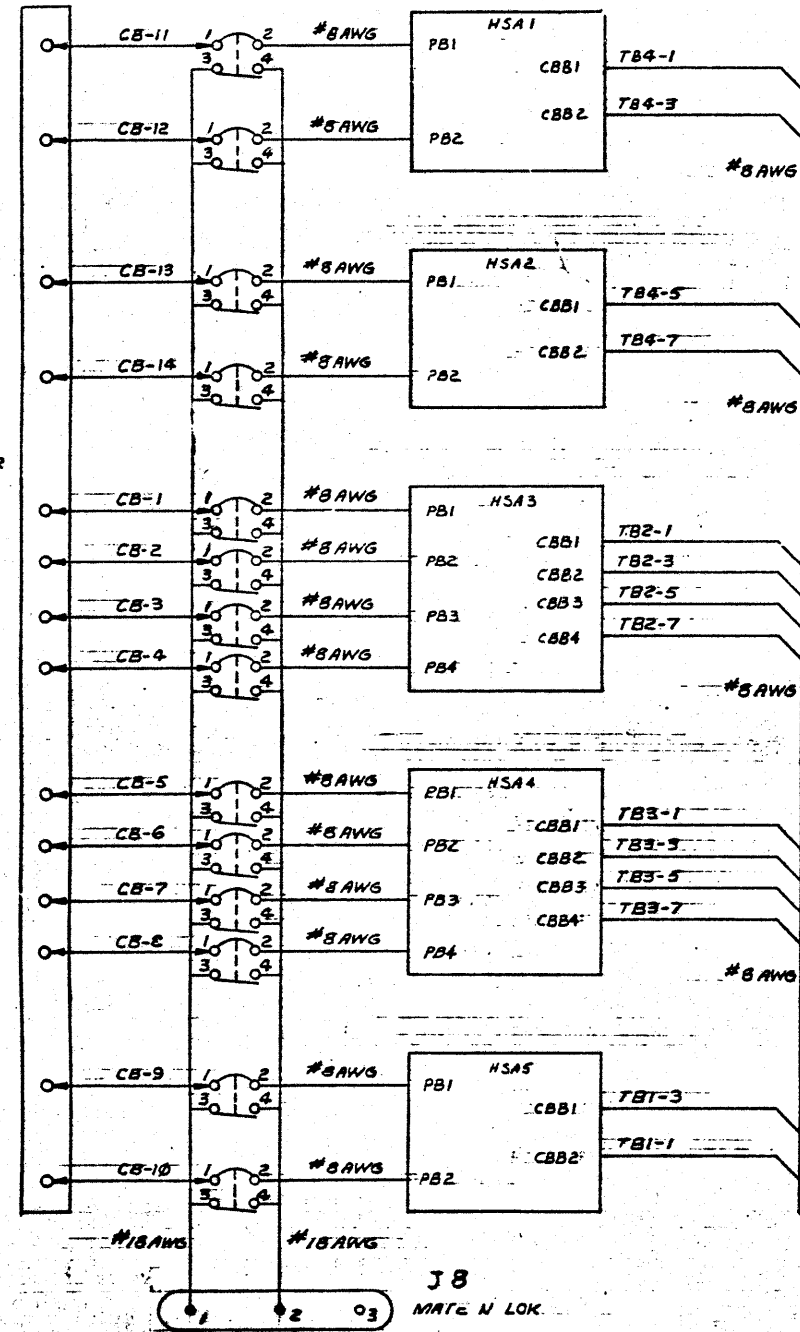
MR 1

THIS DRAWING AND SPECIFICATIONS HEREIN ARE THE PROPERTY OF DIGITAL EQUIPMENT CORPORATION AND SHALL NOT BE REPRODUCED OR COPIED OR USED IN WHOLE OR IN PART AS THE BASIS FOR THE MANUFACTURE OR SALE OF ITEMS WITHOUT WRITTEN PERMISSION. COPYRIGHT © 1974, DIGITAL EQUIPMENT CORPORATION

NOTE: CBB INDICATES COLLECTOR BUS  
PB INDICATES POWER BUS

RTN 1 THRU 4:  
BUSSING BARS  
MOUNTED ON  
TERMINAL BLOCKS

-12V BUS BAR  
MOUNTED ON  
CIRCUIT BREAKER  
POSTS



REV.	BY	DATE
1	MR006	6 OCT 73
2	MCELEADY	10/20/73
3	J. M. ...	11/20/73

FIRST USED ON OPTION/MODEL		QTY.	DESCRIPTION	PART NO.	ITEM NO.
H761					
DIMENSIONAL TOLERANCE		PARTS LIST			
MILLIMETERS		digital			
DIMENSIONS ARE UNLESS OTHERWISE SPECIFIED		TITLE			
X, XX ±0.10		H761 (POWER)			
XX ±0.5		WIRING DIAGRAM			
X ±2.5		DATE 2-7-75			
THIRD ANGLE PROJECTION		MATERIAL			
REMOVE BURRS AND BREAK SHARP CORNERS SURFACE QUALITY		FINISH			
SCALE SHEET 1 OF 2		SIZE CODE NUMBER REV.			
		D I C H761-0-8 A			

8

7

6

5

4

3

2

1



"THIS DRAWING AND SPECIFICATIONS HEREIN ARE THE PROPERTY OF DIGITAL EQUIPMENT CORPORATION AND SHALL NOT BE REPRODUCED OR COPIED OR USED IN WHOLE OR IN PART AS THE BASIS FOR THE MANUFACTURE OR SALE OF ITEMS WITHOUT WRITTEN PERMISSION. COPYRIGHT © 1974, DIGITAL EQUIPMENT CORPORATION"

RTN 1 THRU 4:  
BUSSING BARS  
MOUNTED ON  
TERMINAL BLOCK  
TB1-RTN1  
TB2-RTN2  
TB3-RTN3  
TB4-RTN4

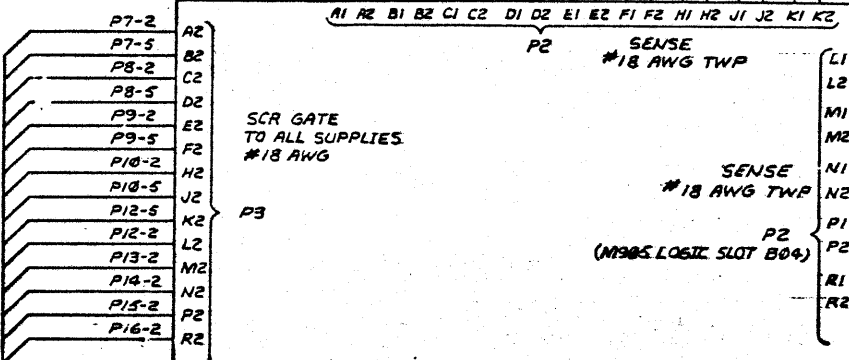
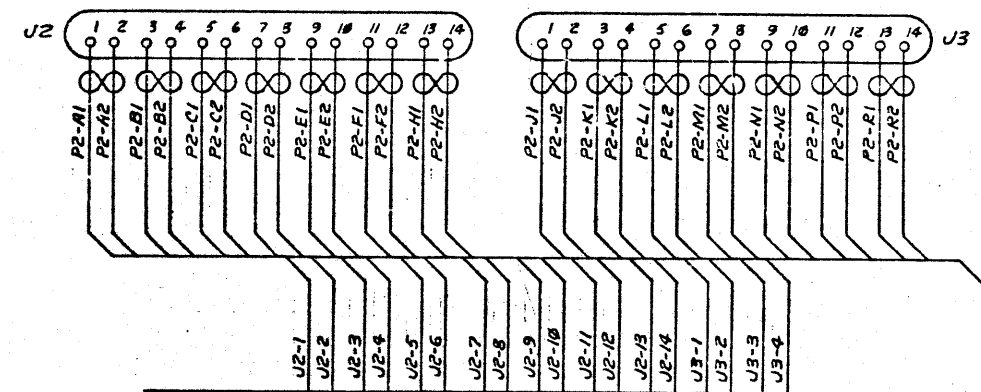
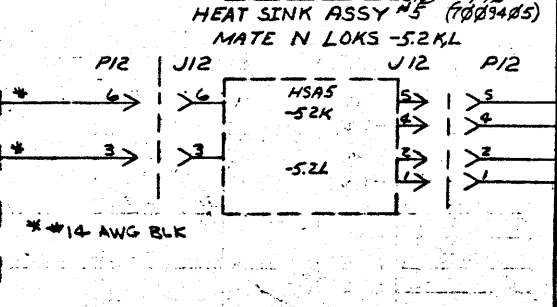
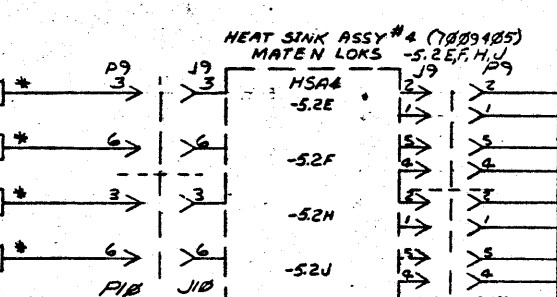
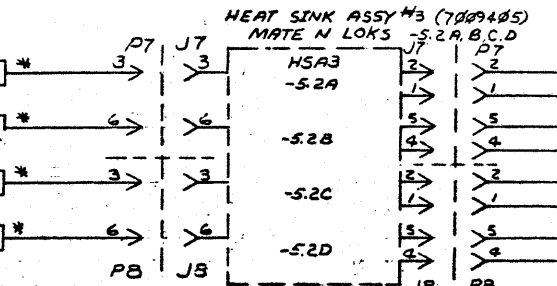
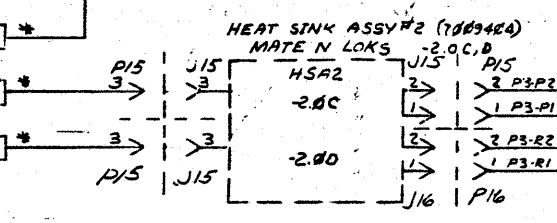
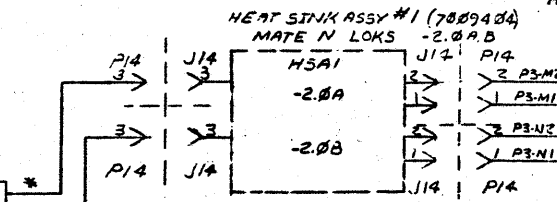
#14AWG  
RTN  
1  
2  
3  
4

#18 AWG BLK

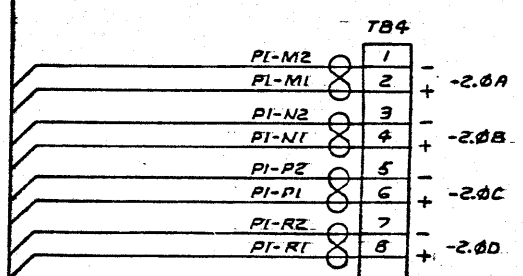
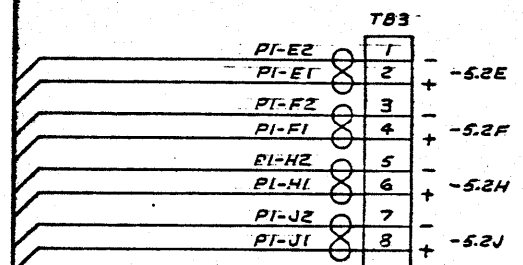
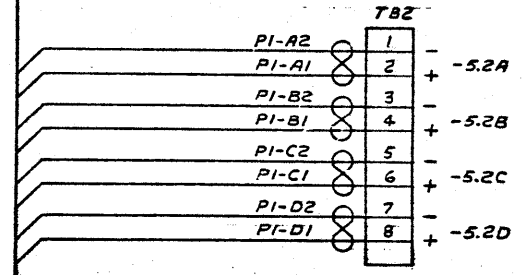
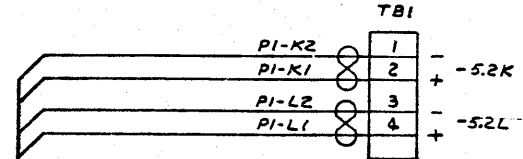
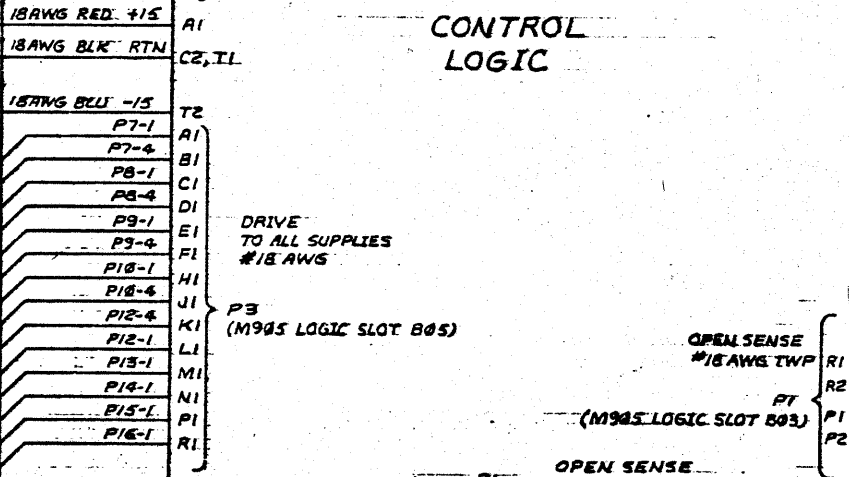
RTN  
1  
2  
3  
4

RTN  
1  
2  
3  
4

RTN  
1  
2  
3  
4



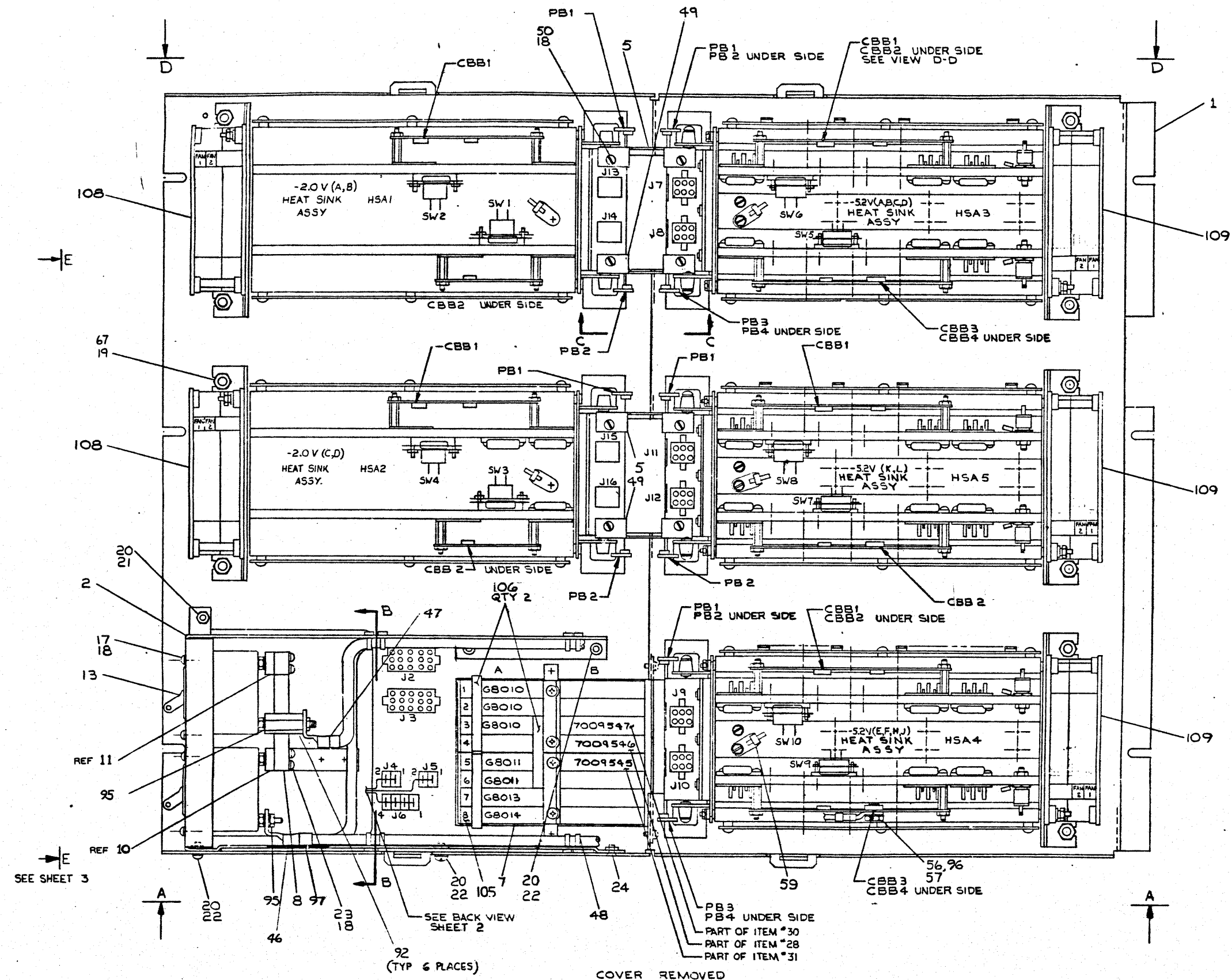
CONTROL LOGIC



CHK	CHANGE NO.	REV.

OPERATIONS HEREIN ARE THE PROPERTY OF THE COMPANY AND ARE NOT TO BE REPRODUCED OR USED IN WHOLE OR IN PART FOR THE MANUFACTURE OF ANY OTHER EQUIPMENT WITHOUT THE WRITTEN PERMISSION OF THE COMPANY.

- NOTES:
1. USE THE WRAPS (ITEM #36) ACCORDING TO DEC STANDARD 116.
  2. COLOR DOT ON THERMOSTAT MATCHES COLOR OF POWER WIRING TO REGULATOR. (GREEN FOR -2.0V BLUE FOR -5.0V)



CAUTION: OFF SHEET PARTS LIST EXISTS

1	2	3	4	5	6	7	8	9	10	11	12	13	14	15	16	17	18	19	20	21	22	23	24	25	26	27	28	29	30	31	32	33	34	35	36	37	38	39	40	41	42	43	44	45	46	47	48	49	50	51	52	53	54	55	56	57	58	59	60	61	62	63	64	65	66	67	68	69	70	71	72	73	74	75	76	77	78	79	80	81	82	83	84	85	86	87	88	89	90	91	92	93	94	95	96	97	98	99	100
---	---	---	---	---	---	---	---	---	----	----	----	----	----	----	----	----	----	----	----	----	----	----	----	----	----	----	----	----	----	----	----	----	----	----	----	----	----	----	----	----	----	----	----	----	----	----	----	----	----	----	----	----	----	----	----	----	----	----	----	----	----	----	----	----	----	----	----	----	----	----	----	----	----	----	----	----	----	----	----	----	----	----	----	----	----	----	----	----	----	----	----	----	----	----	----	----	----	----	-----

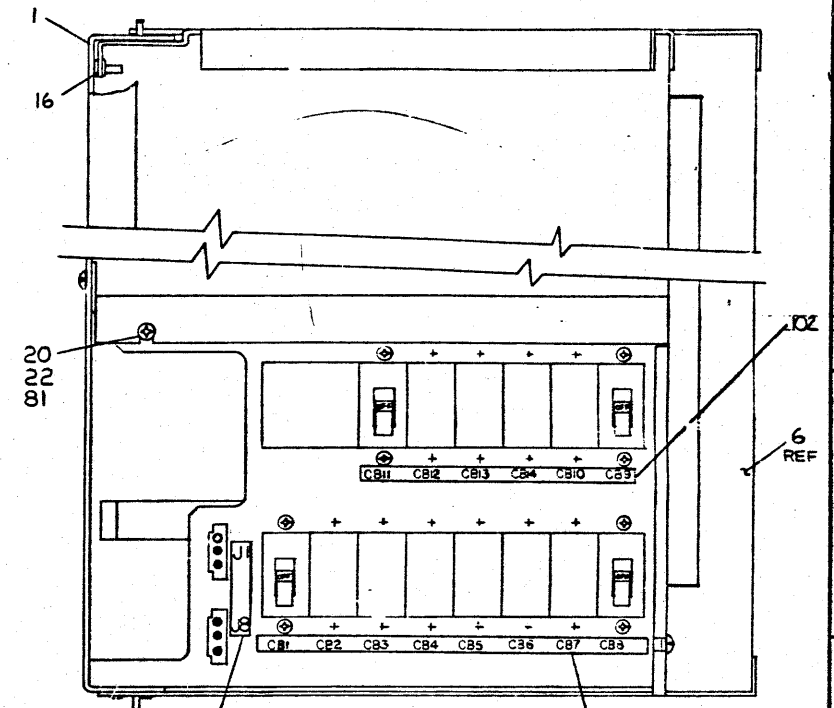
FIRST USED ON OPTION/MODEL		QTY.	DESCRIPTION	PART NO.	ITEM NO.
KL10					
DIMENSIONAL TOLERANCE		DRN.	DATE	PARTS LIST	
DIMENSIONS ARE IN INCHES		CHK'D.	DATE	digital	
MILLIMETERS ARE IN MILLIMETERS		ENR.	DATE	REGULATED POWER SUPPLY	
MATERIAL		PROJ. ENG.	DATE	EUA H761-0-0	
FINISH		PROD.	DATE	NUMBER	
REVISIONS		REV.	DATE	REV.	
SCALE 1/1		SHEET 1 OF 1		DIST.	



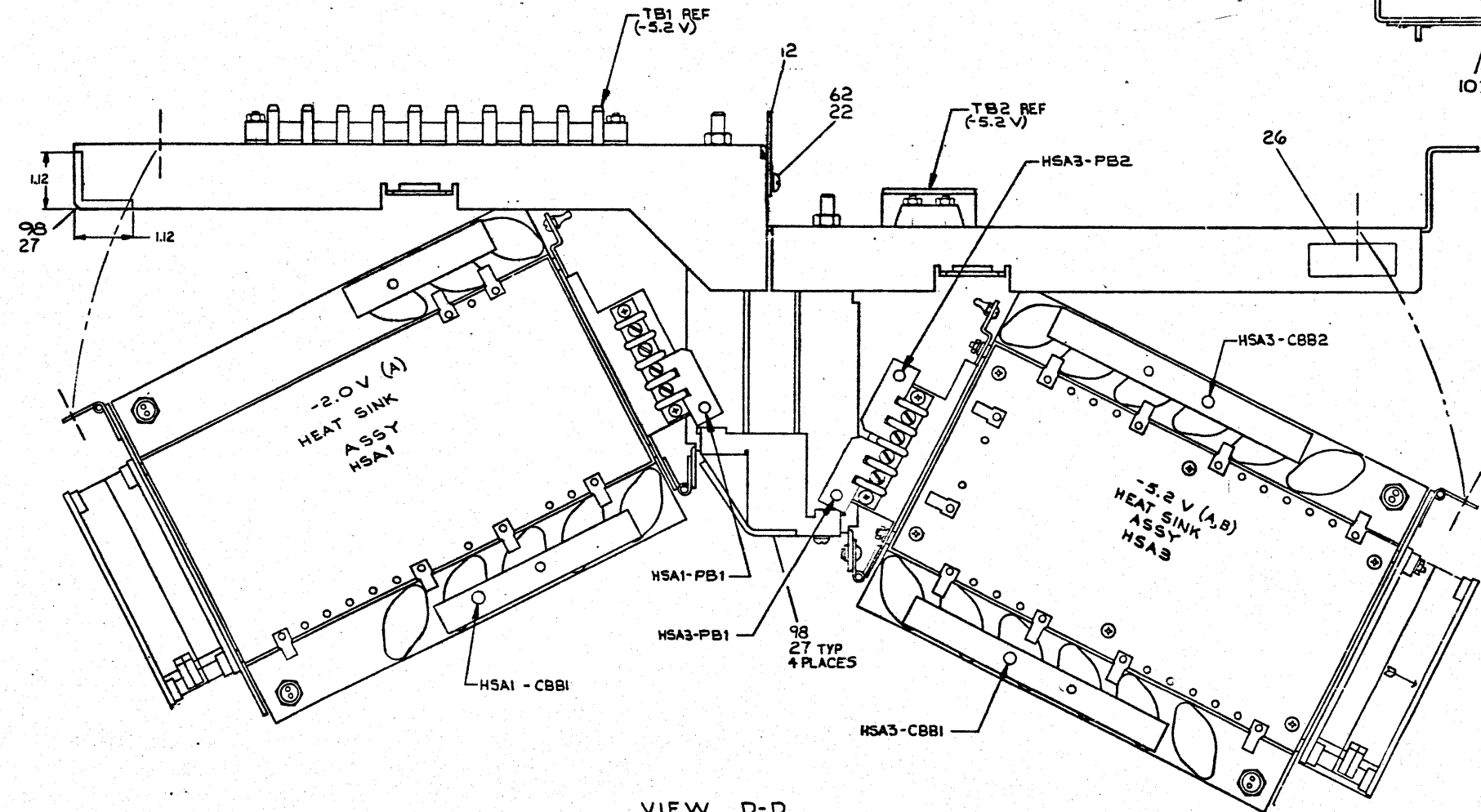
THIS DRAWING AND SPECIFICATIONS, HEREIN, ARE THE PROPERTY OF THE UNITED STATES GOVERNMENT AND SHALL NOT BE REPRODUCED OR COPIED IN WHOLE OR IN PART WITHOUT EXPRESS PERMISSION OF THE SECRETARY OF DEFENSE.

WIRE TABLE								WIRE TABLE							
ITEM NO.	DESCRIPTION	FROM	TO	REMARKS	ITEM NO.	DESCRIPTION	FROM	TO	REMARKS						
AWG.	COLOR	POINT	CONNECTION	TERM.	POINT	CONNECTION	TERM.	POINT	CONNECTION						
28	18				28										
29	18				29										
30	18				30										
31	18				31										
32	18				32										
33	18				33										
34	18				34										
35	18				35										
36	18				36										
37	18				37										
38	18				38										
39	18				39										
40	18				40										
41	18				41										
42	18				42										
43	18				43										
44	18				44										
45	18				45										
46	18				46										
47	18				47										
48	18				48										
49	18				49										
50	18				50										
51	18				51										
52	18				52										
53	18				53										
54	18				54										
55	18				55										
56	18				56										
29					29										

CONTINUED ON SHEET 4



VIEW E-E  
ITEMS 6, 16, 81  
USED ON H761-0 ONLY  
ITEMS 20, 22  
USED ON H761-0 & H761-A



VIEW D-D  
SCALE: 1/1

REV.	CHANGE NO.	REV.

THIS DRAWING AND SPECIFICATIONS SHALL BE THE PROPERTY OF DIGITAL EQUIPMENT CORPORATION AND SHALL NOT BE REPRODUCED OR COPIED OR USED IN WHOLE OR IN PART AS THE BASIS FOR THE MANUFACTURE OR SALE OF ITEMS WITHOUT WRITTEN PERMISSION OF DIGITAL EQUIPMENT CORPORATION.

WIRE TABLE

ITEM NO.	DESCRIPTION			FROM			TO			REMARKS
	AWG	COLOR	POINT	CONNECTION	WITH	POINT	CONNECTION	WITH		
34	18	WHT	1	HARNESS	SOLD		CBI-5			
	TWP	RED	2		SOLD		CBI-3		TWP	
		RED	3							
		BLK	4		J1-3		CHASSIS ITEM#1		TWP	
		WHT	5		J1-2				TWP	
		YEL	6		J1-1				TWP	
		YEL	7				SW4-1			
		YEL	8							
		BLK	9				SW4-2		TWP	
		BLK	10						TWP	
		YEL	11				SW3-1			
		YEL	12							
		BLK	13				SW3-2		TWP	
		BLK	14						TWP	
		BLK	15				SW2-2			
		YEL	16				SW2-1		TWP	
		YEL	17							
		YEL	18				SW1-1			
		BLK	19						TWP	
		BLK	20				SW1-2		TWP	
		YEL	21							
		YEL	22				SW5-1			
		BLK	23						TWP	
		BLK	24				SW5-2		TWP	
		YEL	25							
		YEL	26				SW6-1			
		BLK	27						TWP	
		BLK	28				SW6-2		TWP	
		YEL	29							
		YEL	30				SW7-1			
		BLK	31						TWP	
		BLK	32				SW7-2		TWP	
		YEL	33							
		YEL	34				SW8-1			
		BLK	35						TWP	
		BLK	36				SW8-2		TWP	
		YEL	37							
		YEL	38				SW9-1			
		BLK	39						TWP	
		BLK	40				SW9-2		TWP	
		YEL	41							
		YEL	42				SW10-1			
	18	BLK	43						TWP	
104	TWP	BLK	44	HARNESS			SW10-2		TWP	

REVISIONS		
CHK	CHANGE NO.	REV.

EUA H761-β-β

AUTOMATED BY PRTLST.5R(52)

PARTS LIST

MR  
SHEET A1 OF A3

LINE	ITEM	TOP DOCUMENT	PART NUMBER	MIN REV	DESCRIPTION	QTY	PER	VARIATION
					VARIATION REVISION LEVEL:	00	A	
						K	A	
1	1	E-IA-7410991-0-0	7410991-00		CHASSIS REGULATED P.S. (KL10)	1	1	
2	2	E-IA-7410993-0-0	7410993-00		CIRCUIT BREAK MTG PLATE (KL10)	1	1	
3	3	E-AD-7009405-0-0	7009405-00		*** THIS ITEM IS NOT USED ***	-	-	
4	4	E-AD-7009404-0-0	7009404-00		*** THIS ITEM IS NOT USED ***	-	-	
5	5	D-IA-7411571-0-0	7411571-01		SUPPORT REG ASSY-KL10	2	2	
6	6	E-IA-7010162-0-0	7010162-00		COVER ASSY (H761) KL10	1	-	
7	7	C-AD-7010100-0-0	7010100-00		LOGIC H761	1	1	
8	8	B-MD-7411529-0-0	7411529-00	A	BAR CONN BUSS-KL10	1	1	
9	9	C-IA-7411554-0-0	7411554-01		STRIP BUSS RETURN H761 (KL10)	4	4	
10	10	C-MD-7411531-0-0	7411531-00		BAR NO 1 -12V BUSS	1	1	
11	11	C-MD-7411532-0-0	7411532-00		BAR NO 2 -12V BUSS-KL10	1	1	
12	12	B-MD-7412425-0-0	7412425-00	A	CONN PROT PLATE PIN KL10 (H761)	1	1	
13	13		1211498-00	A	CKT BKR 35.0 A 50V 1P	14	14	
14	14		1211499-00	A	TERM BLOCK 09POS(2K05).687CC	4	4	
15	15		9007046-00	A	*** THIS ITEM IS NOT USED ***	-	-	
16	16		9007014-00	A	GROMMET, ROUND RUBBER	1	-	
17	17		9006020-01	A	SCREW, MACH PAN PHIL 6-	28	28	
18	18		9006533-00	A	WASHER, LOCK INTERNAL STEEL	40	40	
19	19		9008203-00	A	NUT, HEX EXT TOOTH LCKWSHR 1/4-20	20	20	
20	20		9006037-01	A	SCREW, MACH PAN PHIL 8-	26	20	
21	21		9006563-00	A	NUT, HEX EXT TOOTH LCKWSHR 8-32	1	1	
22	22		9006634-00	A	WASHER, LOCK INTERNAL STEEL	27	21	
23	23		9006025-01	A	SCREW, MACH PAN PHIL 6-	4	4	
24	24		9006036-02	A	SCREW, MACH FLAT PHIL 8-	2	2	
25	25		9006560-00	A	NUT, HEX EXT TOOTH LCKWSHR 6-32	16	16	
26	26		9009255-00	B	LABEL, POWER SUPPLY, 2-15/16 " L	1	1	
27	27		9007594-00	A	ADHESIVE, NEOPRENE	1	1	
28	28	D-IA-7009546-0-0	7009546-00		CABLE (H761)	1	1	
29	29	E-IA-7010307-0-0	7010307-00		HARNESS A/C FAN (H761)	1	1	
30	30	E-IA-7009547-0-0	7009547-00		CABLE (H761)	1	1	

REVISION HISTORY			BASIC PART NO: H761		DRN: K. GAMACHE		DATE:		DIGITAL	
ENGR	ECO NUMBER	REV	SECTION A OF A	CHK'D:	D. SIREEN	DATE:	1 NOV 74	TITLE	PARTS LIST	
	INITIAL	K	SECTION VARIATION INDEX	CA100, A				REGULATED POWER SUPPLY		
			[B]		DES. ENG: J. DREW	DATE:	19 NOV 74	DOCUMENT NUMBER		
			[C]					SIZE CODE	NUMBER	REV
			[D]		RESP. ENG.: J. DREW	DATE:	19 NOV 74	K	PL	H761-0-DBP
			[E]		APG. ENG.: R. J'BRIAN	DATE:	19 NOV 74	RELEASE DATE:		
			[F]		ASSEMBLY NUMBER:	TOP DOCUMENT NUMBER:	FILE NAME:	EDIT #		
					E-UA-H761-0-0	E-UA-H761-0-0	27456K.PLS	5		

"THIS DRAWING AND THE SPECIFICATIONS CONTAINED HEREIN ARE CONFIDENTIAL AND PROPRIETARY. THEY ARE THE PROPERTY OF DIGITAL EQUIPMENT CORPORATION AND SHALL NOT BE REPRODUCED OR COPIED OR USED IN WHOLE OR IN PART AS THE BASIS FOR THE MANUFACTURE OR SALE OF ITEMS WITHOUT WRITTEN PERMISSION. THIS IS AN UNPUBLISHED WORK PROTECTED UNDER THE FEDERAL COPYRIGHT LAWS."

MR



AUTOMATED BY PRLST.5R(52)

PARTS LIST

SHEET A2 OF A3

LINE	ITEM	TOP DOCUMENT	PART NUMBER	MIN REV	DESCRIPTION	QTY	PER	VARIATION
					VARIATION REVISION LEVEL:	00	A	
						K	A	
31	31	E-IA-7009545-0-0	7009545-00		CABLE (H761)	1	1	
32	32		9007237-00		TERM,TAB,BUSHING	4	4	
33	33		9007236-00		TERM,TAB,BUSHING	2	2	
34	34		9007234-00		TERM,TAB,BUSHING	2	2	
35	35		9007238-00	B	TERM QUICK 2POS SOLDER,MALE	8	8	
36	36		9007880-00		TIE,CABLE BUNDL DIA 0-1.14"=101	21	21	
37	37		9009139-00		CONN,P+S 01SKT 22-19AWG	3	3	
38	38		9107302-11		TUBING,TEFLON .106ID	A/R	A/R	
39	39		9107360-33	A	WIRE, 18AWG(19/30)IPVC 150V	A/R	A/R	
40	40		9107360-00	A	WIRE, 18AWG(19/30)IPVC 150V	A/R	A/R	
41	41		9107360-55	A	WIRE, 18AWG(19/30)IPVC 150V	A/R	A/R	
42	42		9107370-00	A	WIRE, 14AWG19/.0147IPVC 150V	A/R	A/R	
43	43		9107430-29	A	WIRE,TWP 19AWG(19/30)IPVC 150V	A/R	A/R	
44	44		9107765-55	A	WIRE, 08AWG(163/30)IPVC 600V1	A/R	A/R	
45	45		9107765-65	A	WIRE, 08AWG(163/30)IPVC 600V1	A/R	A/R	
46	46		1212986-01	A	TERM,RING 1/4STUD FLAG	8	8	
47	47		1211515-00	D	TERM,RING 1/4STUD CRIMP	40	40	
48	48		9007031-00	B	TIE,CABLE BUNDL.DIA 0- 3/4"=101	63	63	
49	49	D-IA-7411571-0-0	7411571-02		SUPPORT REG ASSY-KL10	2	2	
50	50		9006021-04	A	SCREW,MACH BIND SLJT 5-	8	8	
51	51		9007928-00		TERM,RING #10STUD CRIMP 14-1	8	8	
52	52		9107560-03	B	WIRE,BOSS 18AWG TIN BARE	A/R	A/R	
53	53		9107278-00		TUBING,TEFLON .042ID	0	0	
54	54		1209379-00		*** THIS ITEM IS NOT USED ***	-	-	
55	55		1209350-03	F	*** THIS ITEM IS NOT USED ***	-	-	
56	56		9006240-09	A	SCREW,MACH HEX PLN 1/4-	28	28	
57	57		9006724-00	A	WASHER,LOCK EXTERNAL STEEL	28	28	
58	58	A-DC-7409873-0-0	7409873-00		CANCELLED 7-28-81 BY FRED CARBER	1	1	
59	59		9007033-00		TIE,CABLE BUNDL.DIA 0-1-3/4"=101	5	5	
60	60		5308944-03		*** THIS ITEM IS NOT USED ***	-	-	
61	61		5308943-01		*** THIS ITEM IS NOT USED ***	-	-	
62	62		9006035-01	A	SCREW,MACH PAN PHIL 8-	2	2	
63	63		G8010-00		-5.2V CONTROL KL10	3	3	
64	64		G8011-00		-2V CONTROL KL10	2	2	
65	65	D-CS-G3013-0-0	G3013-00		+10V REFERENCE KL10	1	1	
66	66	D-CS-G8014-0-0	G8014-00		-5.2V DETECTOR 16 INPUTS	1	1	
67	67		9006676-00	A	WASHER,FLAT SST	20	20	
68	68		5308754-03		DECAL	1	1	
69	69		5308754-05		DECAL	1	1	
70	70		5308754-07		*** THIS ITEM IS NOT USED ***	-	-	
71	71		5308754-09		*** THIS ITEM IS NOT USED ***	-	-	
72	72		5308754-11		*** THIS ITEM IS NOT USED ***	-	-	
73	73		5308754-13		*** THIS ITEM IS NOT USED ***	-	-	
74	74		5308754-15		*** THIS ITEM IS NOT USED ***	-	-	
75	75		5308754-19		FAB FOR H761	1	1	
76	76		5308753-31		DECAL 21 PT LETTERS (H761)	1	1	
77	77		5308753-03		DECAL	1	1	
78	78		5308753-01		DECAL	1	1	

D	I	G	I	T	A	L	TITLE	REGULATED POWER SUPPLY	SECTION A OF A	SIZE/	CODE/	DOCUMENT NUMBER	REV
										K	PL	H761-0-DBP	K

MR



AUTOMATED BY PPLST.5R(52)

PARTS LIST

MR  
SHEET A3 OF A3

LINE	ITEM	TOP DOCUMENT	PART NUMBER	MIN REV	DESCRIPTION	QTY	PER	VARIATION
						00	A	
					VARIATION REVISION LEVEL:	K	A	
79	79		5308753-23		DECAL 21 PT LETTERS (H761)	1	1	
80	80		5308753-27		DECAL 1107	1	1	
81	81		9006660-00	A	WASHER, FLAT SST	6	-	
82	82		5308944-05		*** THIS ITEM IS NOT USED ***	-	-	
83	83		5308943-03		*** THIS ITEM IS NOT USED ***	-	-	
84	84		5308943-05		*** THIS ITEM IS NOT USED ***	-	-	
85	85		5308943-07		*** THIS ITEM IS NOT USED ***	-	-	
86	86		5308943-09		*** THIS ITEM IS NOT USED ***	-	-	
87	87		5308943-11		*** THIS ITEM IS NOT USED ***	-	-	
88	88		5308943-13		*** THIS ITEM IS NOT USED ***	-	-	
89	89		5308943-15		*** THIS ITEM IS NOT USED ***	-	-	
90	90		5308943-17		*** THIS ITEM IS NOT USED ***	-	-	
91	91		5308943-19		*** THIS ITEM IS NOT USED ***	-	-	
92	92		9008841-01	A	STANDOFF, MALE/FEMALE HEX 10-32	6	6	
93	93		9003151-00	A	WASHER, LOCK EXTERNAL STEEL	1	1	
94	94		9008981-00	A	TAPE, FOAM, GRAY 1-3/16W 33"L 1/8T	A/R	-	
95	95		9006635-00	A	WASHER, LOCK INTERNAL STEEL	48	48	
96	96		9006637-00	A	WASHER, LOCK INTERNAL STEEL	12	12	
97	97		9009507-00	A	TAPE, VINYL ADH .75 WDX .00	A/R	A/R	
98	98		9007036-00	B	GROMMET, CATERPILLAR POLYAMIDE	A/R	A/R	
99	99		9107250-00		*** THIS ITEM IS NOT USED ***	-	-	
100	100	A-WL-H761-0-10			H761 SPECIAL GND. WIRES	REF	REF	
101	101	A-PS-3613819-0-0	3613819-00	A	DECAL, VINYL, ADH BACK, H761	1	1	
102	102	A-PS-3613819-0-0	3613819-01	A	DECAL, VINYL, ADH BACK, H761	1	1	
103	103	A-PS-3613819-0-0	3613819-02	A	DECAL, VINYL, ADH BACK, H761	1	1	
104	104		7015219-00		HARNESS, H761 THERMOSTAT	1	1	
105	105		7018177-00		ASSY, MODULE CLIP	2	2	
106	106		1209856-03		HOLDER, MODULE	2	2	
107	107	BLANK				0	0	
108	108		7009404-01		REGULATED HEAT SINK ASSY. -2.0V	2	2	
109	109		7009405-01		REGULATED HEAT SINK ASSY. -5.2V	3	3	

#####  
# RELEASABLE #

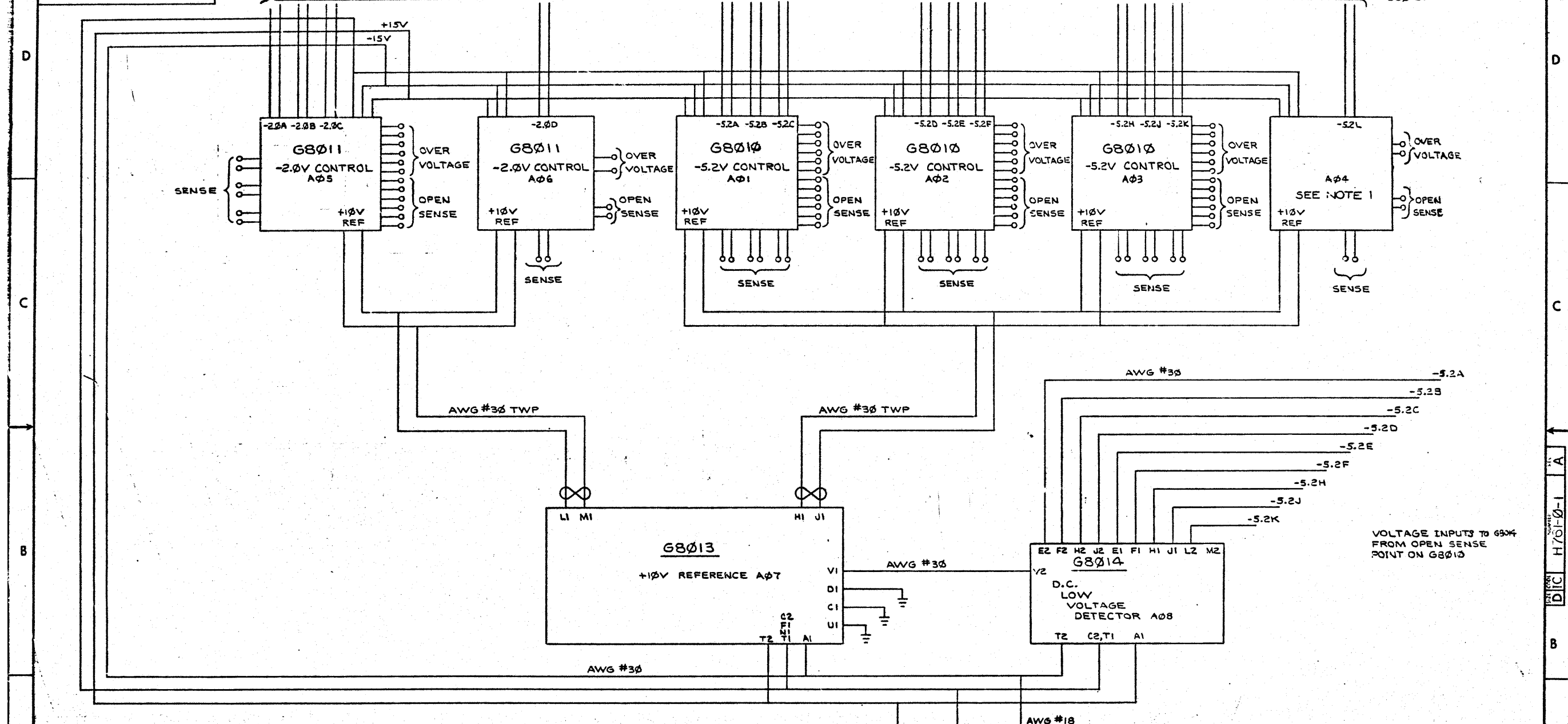
D	I	G	I	T	A	L	TITLE	SECTION A OF A	SIZE	CODE	DOCUMENT NUMBER	REV
							REGULATED POWER SUPPLY		K	PL	H761-0-DBP	K

MR0

THIS DRAWING AND SPECIFICATIONS HEREIN ARE THE PROPERTY OF DIGITAL EQUIPMENT CORPORATION AND SHALL NOT BE REPRODUCED OR COPIED OR USED IN WHOLE OR IN PART AS THE BASIS FOR THE MANUFACTURE OR SALE OF ITEMS WITHOUT WRITTEN PERMISSION FROM DIGITAL EQUIPMENT CORPORATION.

SCR & DRIVE TO HEAT SINK ASSEMBLY

NOTES:  
1. WIRING TO A21 FOR SPARE G8010. DO NOT PLUG IN G8010.

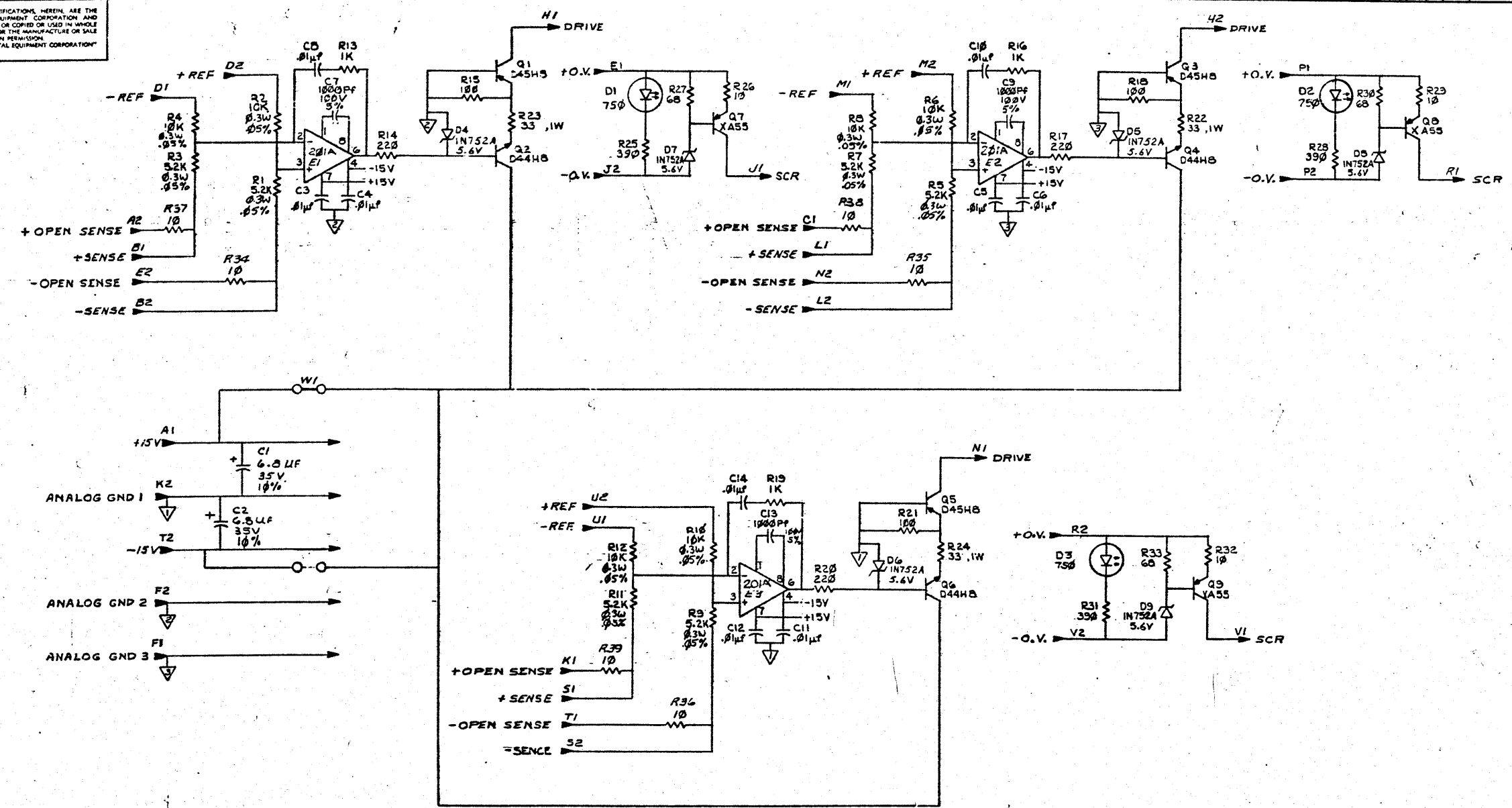


REV	DATE	BY	CHKD
1	7-25-75	J. DREW	
2			
3			

LINK CHANGE TO H761-0001  
S. B. BROWN  
J. DREW  
7-25-75

FIRST USED ON OPTION/MODEL <b>H761</b>	QTY.	DESCRIPTION	PART NO.	ITEM NO.
PARTS LIST				
UNLESS OTHERWISE SPECIFIED DIMENSION IN INCHES				
TOLERANCES				
DECIMALS	ANGLES	DATE		
.XXX = .005	:0' 30"	DATE	TITLE	
.XX = .02		DATE	CONTROL LOGIC	
.X = .1		DATE	NUMBER	
REMOVE BURRS AND BREAK SHARP CORNERS SURFACE QUALITY 1	PROD	DATE	REV.	
MATERIAL	NEXT HIGHER ASSY.		SIZE CODE	
FINISH	SCALE	SHEET 1 OF 1	DIC	H761-2-1

"THIS DRAWING AND SPECIFICATIONS HEREIN ARE THE PROPERTY OF DIGITAL EQUIPMENT CORPORATION AND SHALL NOT BE REPRODUCED OR COPIED OR USED IN WHOLE OR IN PART AS THE BASIS FOR THE MANUFACTURE OR SALE OF ITEMS WITHOUT WRITTEN PERMISSION. COPYRIGHT © 1973 DIGITAL EQUIPMENT CORPORATION"



NOTES: 1. UNLESS OTHERWISE SPECIFIED:  
 A. RESISTORS ARE 1/4W 5% RESISTANCE IN OHMS.  
 B. CAPACITORS ARE 50V, ±20%

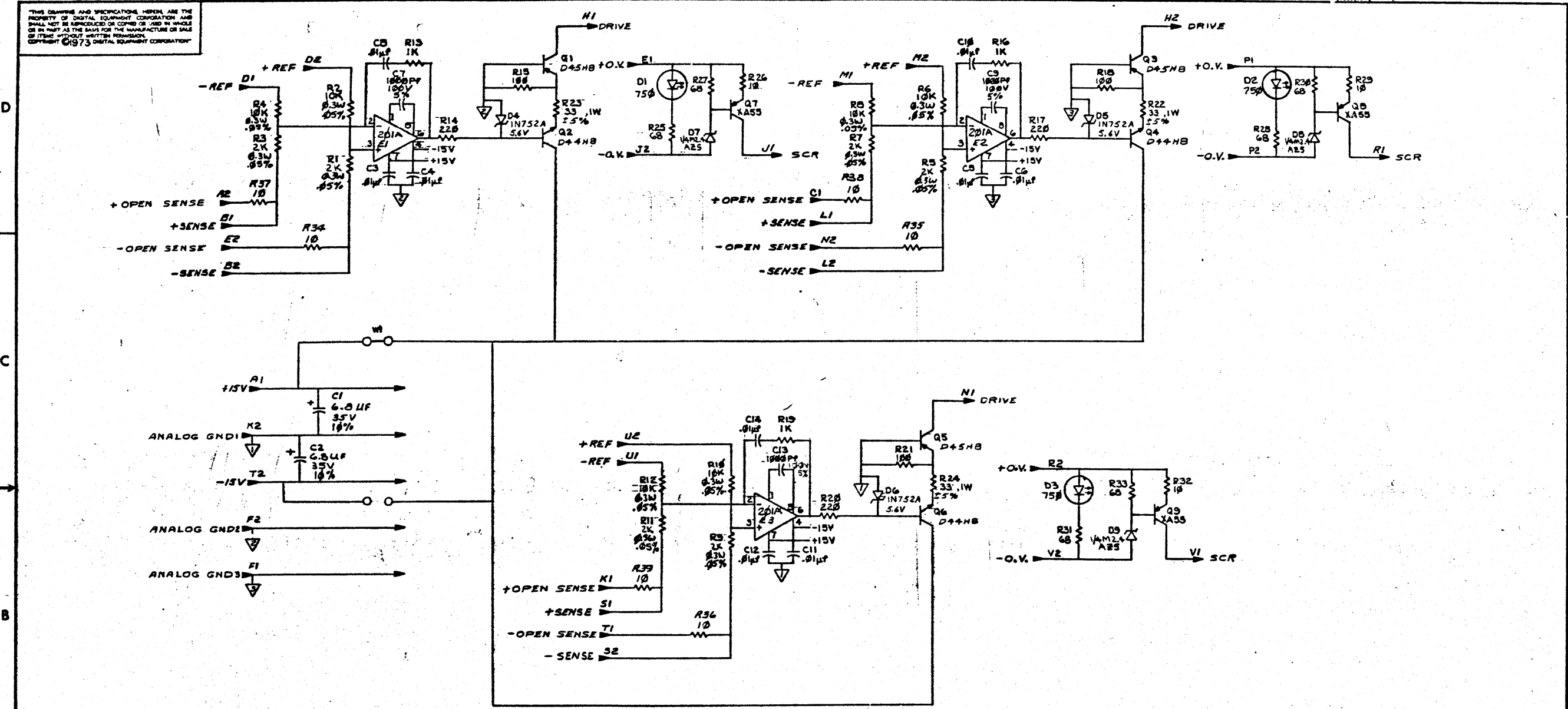
REVISIONS			
CHK	CHANGE NO	REV	
	69810-0001	B	69810-0003 C
			2-27-75 J. DREW
			12676

DESIGNED BY	B. BALENTINE	DATE	3-5-73	TITLE	-5.2 VOLT CONTROL
CHKD BY	F. CAMPBERRY	DATE	3-20-73	FIRST USED ON	KL10
ENGR BY	J. DREW	DATE	7-17-74	NEXT HIGH-LEVEL ASSEMBLY	
PROJ ENG	J. DREW	DATE	7-17-74	SIZE CODE	NUMBER
APP'D BY	P. Regan	DATE	7-17-74	DIST.	REV. C
				SCALE	1/1
				SHEET	1 OF 1

DCS G8010-0-1 C

THIS DRAWING AND SPECIFICATIONS HEREIN ARE THE PROPERTY OF DIGITAL EQUIPMENT CORPORATION AND SHALL NOT BE REPRODUCED OR COPIED OR USED IN WHOLE OR IN PART AS THE BASIS FOR THE MANUFACTURE OR SALE OF ITEMS WITHOUT WRITTEN PERMISSION. COPYRIGHT © 1973 DIGITAL EQUIPMENT CORPORATION

1-0-11089 SC D 2



NOTES: 1. UNLESS OTHERWISE SPECIFIED:  
 A. RESISTANCE IS IN OHMS  
 B. ALL RESISTORS ARE 1/4W, ±5%  
 C. ALL CAPACITORS ARE 50V, ±20%

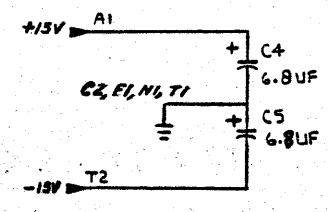
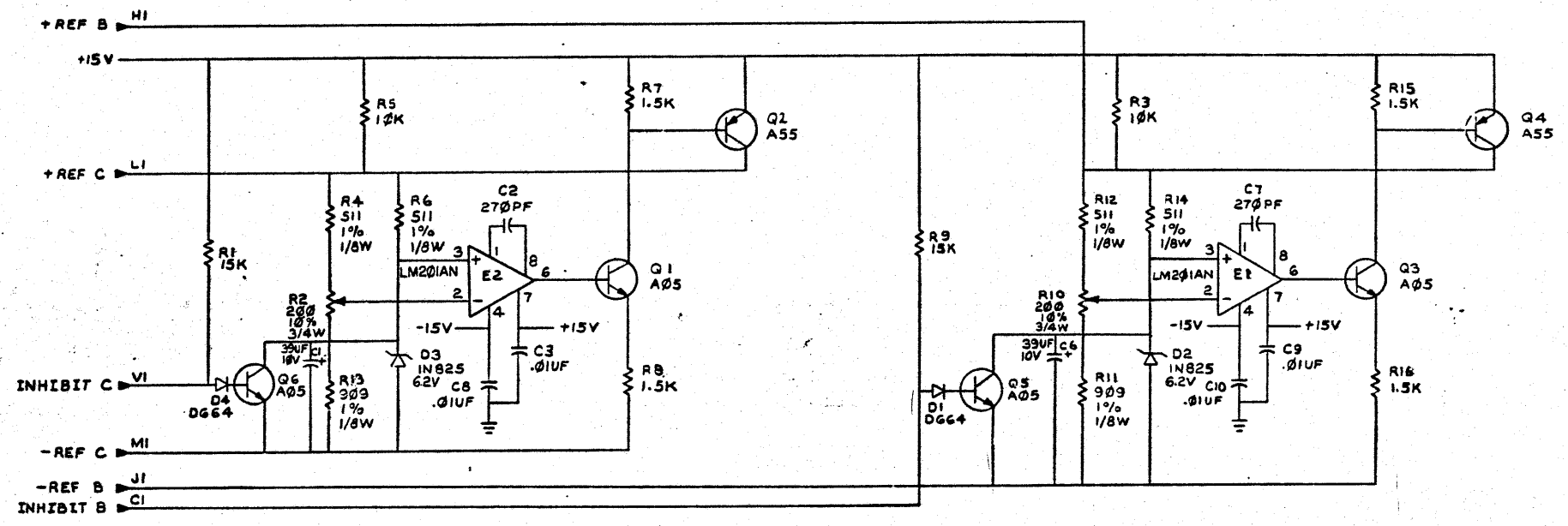
REV	CHG	NO	REV	DATE	BY	CHKD
1	35011-00001	B	1	19 NOV 76	J. DREW	
2	35011-00003	C	1	19 NOV 76	J. DREW	

DRN	QUIGGAN	DATE	4-2-73	FIRST USED ON	KL10
CHKD	P. BOSSMAN	DATE	02-2-73	NEXT HIGHER	ASSEMBLY
ENG	J. DREW	DATE	7-17-73	SIZE CODE	NUMBER
APPROV	J. DREW	DATE	7-17-73	DCS	G8011-0-1
PROD	J. RECK	DATE	7-17-73	SCALE	

-2 VOLT CONTROL

SHEET 2 OF 1

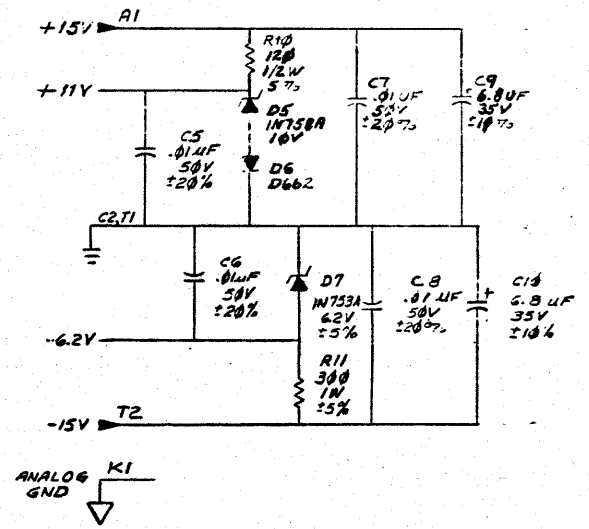
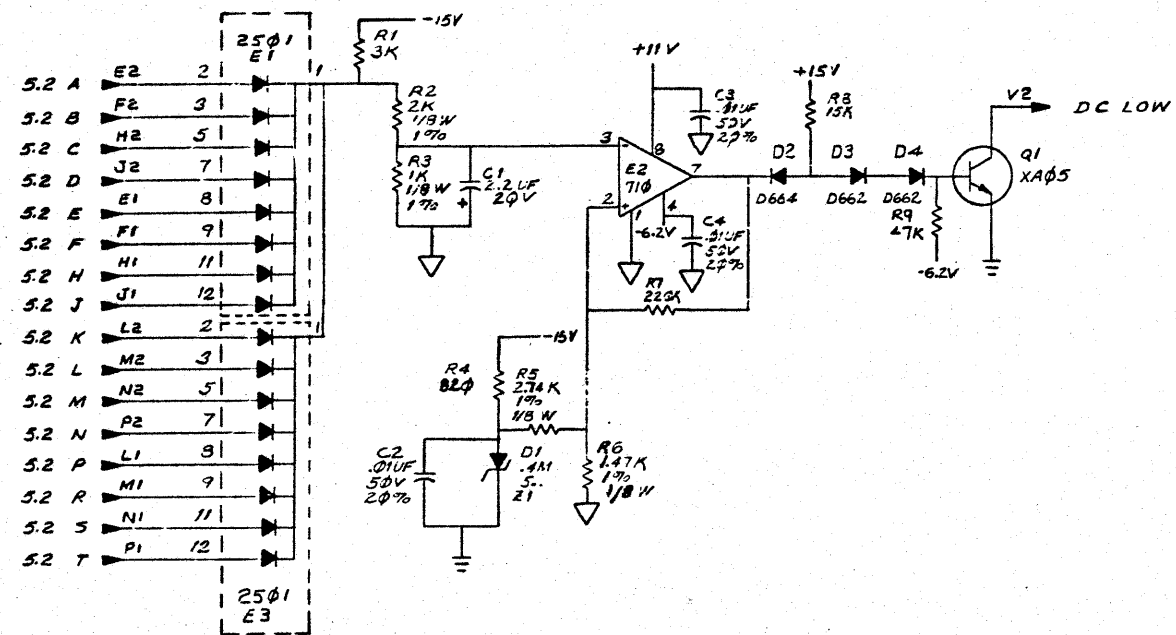
THIS DRAWING AND SPECIFICATIONS HEREIN ARE THE PROPERTY OF DIGITAL EQUIPMENT CORPORATION AND SHALL NOT BE REPRODUCED OR COPIED OR USED IN WHOLE OR IN PART AS THE BASIS FOR THE MANUFACTURE OR SALE OF ITEMS WITHOUT WRITTEN PERMISSION. COPYRIGHT © 1975, DIGITAL EQUIPMENT CORPORATION



REVISIONS		
CHK	CHANGE NO	REV
H	G8013-00001	B
J	8	4-6-75
J	DREW	
J	10/1/75	

DRN	DATE	CHK'D	DATE	ENG	DATE	PROJ	ENG	DATE	PROD	DATE
HLDENSMORE	4-4-75	J. Drew	9-25-75	J. Drew	11/5/75					
TITLE: +10V REFERENCE										
SCALE: 1/4" = 1"										
SHEET 1 OF 1										
NEXT HIGHER ASSY: B-DD-G8013-3										
SIZE CODE: DCS G8013-0-1										
NUMBER: 8										
REV: B										

THIS DRAWING AND SPECIFICATIONS HEREIN ARE THE PROPERTY OF DIGITAL EQUIPMENT CORPORATION AND SHALL NOT BE REPRODUCED OR COPIED OR USED IN WHOLE OR IN PART AS THE BASIS FOR THE MANUFACTURE OR SALE OF ITEMS WITHOUT WRITTEN PERMISSION. COPYRIGHT © 1975, DIGITAL EQUIPMENT CORPORATION.



REVISIONS		
CHK	CHANGE NO	REV
1	68D14-00001	B
		12/75
J. DREW		

DR. B. NICHOL	DATE 7-23-73	ENG. JIM DREW
CHK'D <i>J. Drew</i>	DATE 10/2/73	NEXT HIGHER ASSY. B-00-08014-0-0
TITLE LOW VOLTAGE DETECTOR	SIZE CODE DCS	NUMBER 68D14-0-1
SCALE 1/1	SHEET 1 OF 1	DIST.









THIS DRAWING AND SPECIFICATIONS, HEREIN, ARE THE PROPERTY OF THE COMPANY. ANY REPRODUCTION OR USE THEREOF WITHOUT THE WRITTEN PERMISSION OF THE COMPANY IS PROHIBITED.

WIRE TABLE							WIRE TABLE								
ITEM NO.	AWG.	COLOR	CONN	WITH	CONN	WITH	REMARKS	ITEM NO.	AWG.	COLOR	CONN	WITH	CONN	WITH	REMARKS
40	14	GRN	PC1-2	37	Q1-3	SOLD		40	14	GRN	PC2-2	37	Q9-3	SOLD	
			PC1-3	37	Q2-3	SOLD					PC2-3	37	Q10-3	SOLD	
			Q3-1	SOLD	Q4-1	SOLD					Q11-1	SOLD	Q12-1	SOLD	
			Q5-1	SOLD	Q6-1	SOLD					Q13-1	SOLD	Q14-1	SOLD	
			Q7-1	SOLD	Q8-1	SOLD					Q15-1	SOLD	Q16-1	SOLD	
41	18	GRN	PC1-4	37	D1-1	SOLD		41	18	GRN	PC2-4	37	D2-1	SOLD	
46	18	BRN			J1-2	12		43	18	RED	PC2-4	37	J2-2	12	
40	14	GRN	PC1-5	37	D1-3	SOLD		40	14	GRN	PC2-5	37	D2-3	SOLD	
40	14	GRN	PC1-6	37	Q1-2	SOLD		40	14	GRN	PC2-6	37	Q2-2	SOLD	
41	18	GRN	PC1-7	37	Q2-1	SOLD		41	18	GRN	PC2-7	37	Q10-1	SOLD	
47	18	GRY/BRN			J1-1	12		42	18	GRY/RED			J2-1	12	
40	14	GRN	PC1-8	37	Q2-2	SOLD		40	14	GRN	PC2-8	37	Q10-2	SOLD	
			PC1-9		Q1-1						PC2-9		Q9-1		
			PC1-10		Q3-3						PC2-10		Q11-3		
			PC1-11		Q4-3						PC2-11		Q12-3		
			PC1-12		Q5-3						PC2-12		Q13-3		
			PC1-17		Q6-3						PC2-17		Q14-3		
			PC1-18		Q7-3						PC2-18		Q15-3		
			PC1-19		Q8-3	SOLD					PC2-19		Q16-3	SOLD	
			PC1-13		TB1-4	36					PC2-13		TB2-1	36	
			PC1-14		TB1-3						PC2-14		TB2-2		
			PC1-15		TB1-2						PC2-15		TB2-3		
40	14	GRN	PC1-16	37	TB1-1	36		40		GRN	PC2-16	37	TB2-4	36	
						SOLD							J2-2	SOLD	
44	14	BLK	PC1-1	56	D1-2	12		44	14	BLK	PC2-1	56	J2-3	12	
					J1-3										
45	10	RED	BB-A	14.39	BB-B	14.39									
45	10	RED	BB-C	14.39	BB-D	14.39									

REVISIONS		
CHK	CHANGE NO.	REV.

700340400F

AUTOMATED BY PRTLST.5R(52)

PARTS LIST

SHEET A1 OF A2

MR

LINE	ITEM	TOP DOCUMENT	PART NUMBER	MIN REV	DESCRIPTION	QTY PER VARIATION	
						JO	01
1	1		1211480-00	D	HEAT SINKS, 8.900X4.68	1	1
2	2	D-IA-7411262-0-0	7411262-00		PLATE HEAT SINK MFG [KL10]	1	1
3	3	D-IA-7411000-0-0	7411000-00		SUPPORT HEAT SINK (KL10)	1	1
4	4	C-IA-7410999-0-0	7410999-00	A	CONN BRACKET (KL10)	1	1
5	5	C-IA-7411136-0-0	7411136-01		BUSSING STRIP (KL10)	2	2
6	6	C-IA-7411137-0-0	7411137-01		BUSSING STRIP NO 2 (KL10)	1	1
7	7	C-IA-7411136-0-0	7411136-02		BUSSING STRIP (KL10)	2	2
8	8	E-IA-7411001-0-0	7411001-00		FAN BRKT (KL10)	1	1
9	9	B-MD-7411295-0-0	7411295-00	A	STANDOFF BUSHING (KL10)	14	14
10	10		1209350-06		MATE-N-LOK 06SKT(3X02).240CC HSG	2	2
11	11	BLANK				0	0
12	12		1209379-00		MATE-N-LOK 01SKT 20-14AWG .09230	6	6
13	13		1210930-01	E	*** THIS ITEM IS NOT USED ***	-	-
14	14		9007926-01		TERM,RING #10STUD CRIMP 10-1	4	4
15	15		9007031-00	B	TIE,CABLE BUNDL.DIA 3- 3/4"=101	6	6
16	16		1203346-00	A	TERM BLOCK 04POS(1X04).437CC	2	2
17	17	BLANK				0	0
18	18	BLANK				0	0
19	19		9009648-03	A	SCREW,CAP SOC HEX 6-	14	14
20	20		9006331-03	A	SCREW,CAP SOC HEX 6-	16	16
21	21	BLANK				0	0
22	22	D-CS-5410663-0-0	5410663-01		PCB (70-9404) H761	2	2
23	23		9008268-00	A	COMPOUND, THERMAL JJINT	A/R	A/R
24	24		9008185-00	A	NUT,HEX EXT TOOTH LCK/SHR 6-32	40	40
25	25		1111481-00	A	SCR PIV= 10 IO=35.00A	2	2
26	26		9006021-01	A	SCREW,MACH PAN PHIL 5-	2	2
27	27		9006633-00	A	WASHER,LOCK INTERVAL STEEL	3	3
28	28	C-IA-7411137-0-0	7411137-02		BUSSING STRIP NO 2 (KL10)	1	1
29	29		9008201-01	A	SCREW,TAP PAN SLDT 6-	12	12
30	30		1210130-00	A	SKT,XSTR 02PIN CAD TD-3	16	16

REVISION HISTORY			BASIC PART NO: 7009404							
ENG	ECD NUMBER	REV	SECTION A OF A	DRN:	K. SANACHE	DATE:	21 DEC 73	DIGITAL		
	INITIAL	F	SECTION VARIATION INDEX	CHK'D:	D. HEALY	DATE:	2 FEB 74	TITLE PARTS LIST		
			[A]00,01					REGULATED HEAT SINK ASSY -2.0VJ		
			[B]	DES.ENG:	J. DREW	DATE:	7 JUL 74	DOCUMENT NUMBER		
			[C]					SIZE CODE NUMBER		
			[D]	RESP.ENG.:	J. DREW	DATE:	7 JUL 74	K PL 7009404-0-08P		
			[E]							
			[F]	MFG.ENG.:	R. O'BRIAN	DATE:	6 SEP 74	RELEASE DATE: 06-MAR-94		
				ASSEMBLY NUMBER:		TOP DOCUMENT NUMBER:		FILE NAME:		EDIT #
				ID-UA-7009404-0-0		ID-UA-7009404-0-0		Z7454F.PLS		6

"THIS DRAWING AND THE SPECIFICATIONS CONTAINED HEREIN ARE CONFIDENTIAL AND PROPRIETARY. THEY ARE THE PROPERTY OF DIGITAL EQUIPMENT CORPORATION AND SHALL NOT BE REPRODUCED OR COPIED OR USED IN WHOLE OR IN PART AS THE BASIS FOR THE MANUFACTURE OR SALE OF ITEMS WITHOUT WRITTEN PERMISSION. THIS IS AN UNPUBLISHED WORK PROJECTED UNDER THE FEDERAL COPYRIGHT LAWS."

MRO

MR

AUTOMATED BY PRTLST.5R(52)

PARTS LIST

SHEET A2 OF A2-

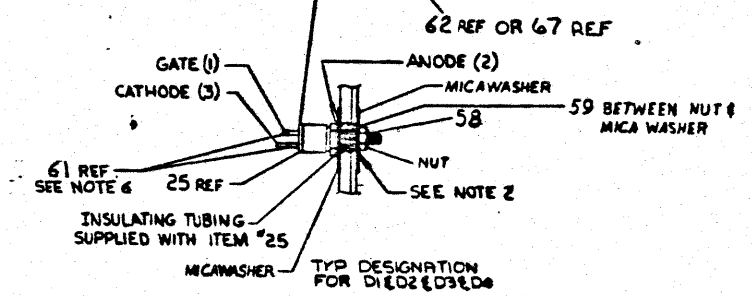
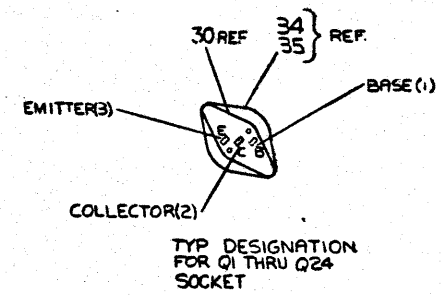
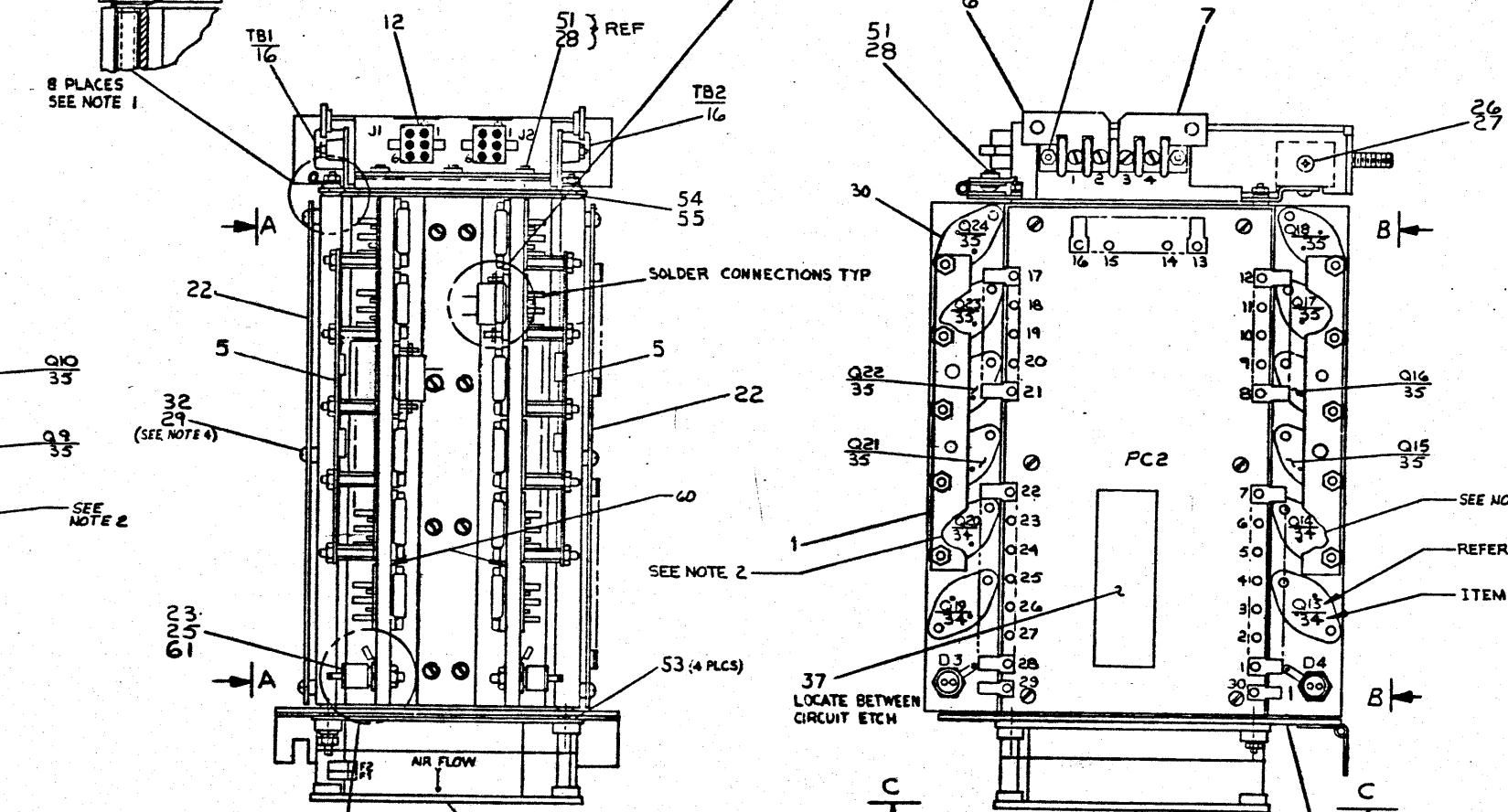
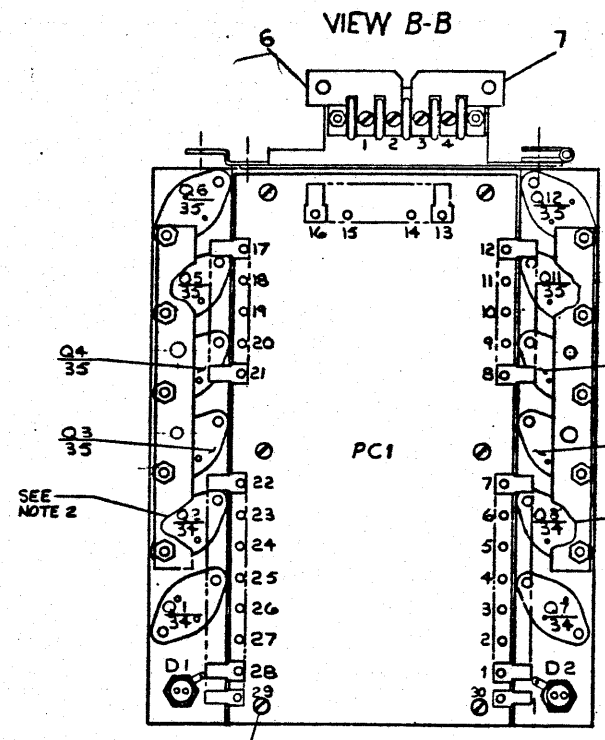
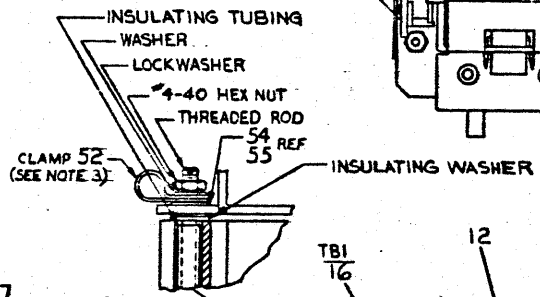
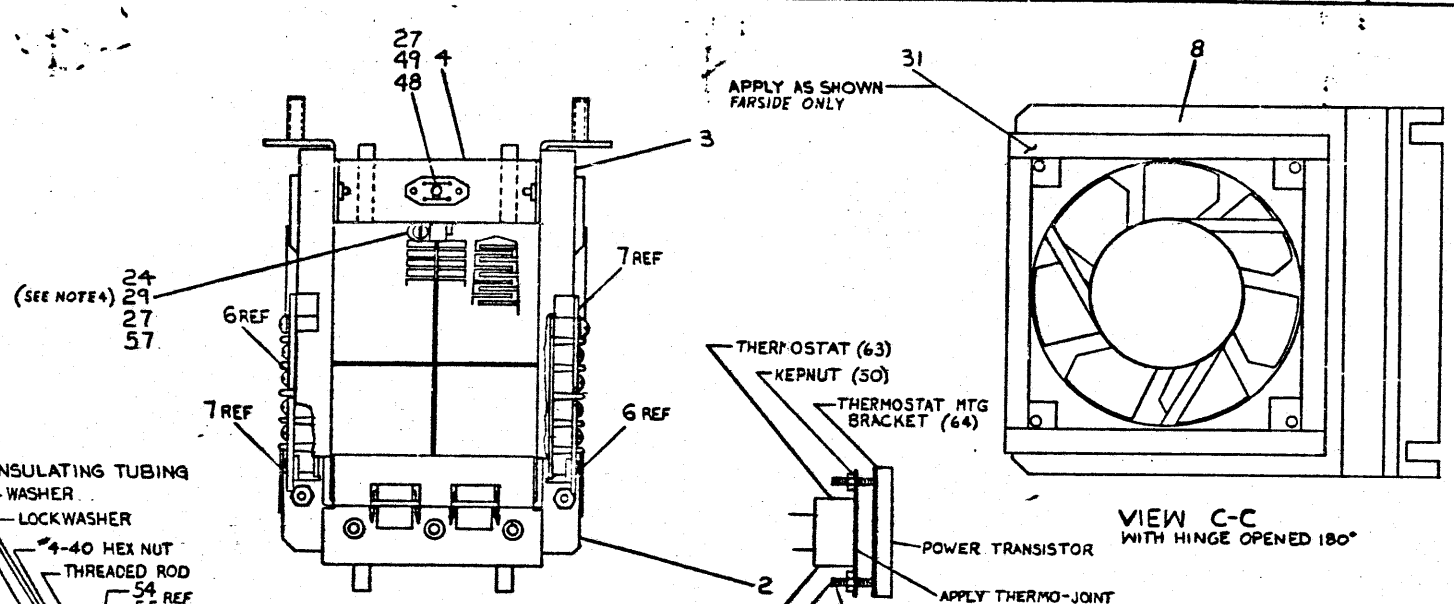
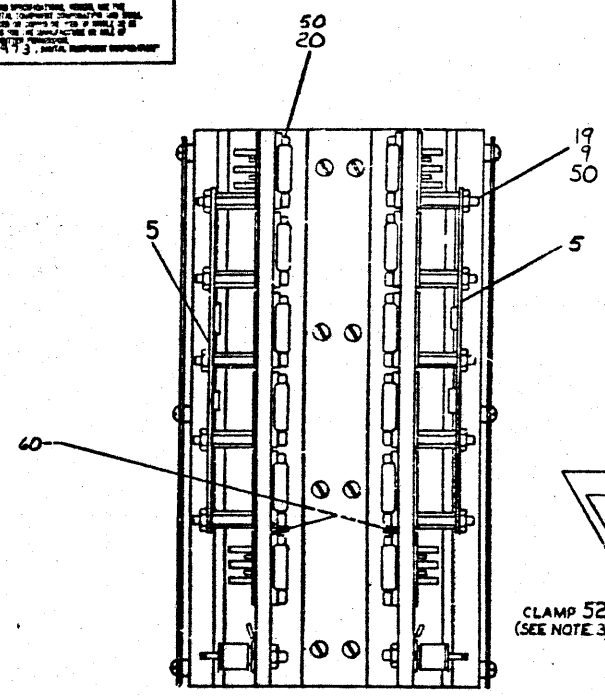
LINE	ITEM	TOP DOCUMENT	PART NUMBER	REV	DESCRIPTION	QTY PER		VARIATION
						00	01	
31	31		9008274-00	B	FOAM, TAPE 3/8" X 3/8" BLACK	A/R	A/R	
32	32		9009283-00	A	SPACER,CLEAR HOLE HEX ALUM 6	12	12	
33	33		9009002-00		TERM BLOCK JUMPER	4	4	
34	34		1503068-00	A	DEC3715 NPN 150WC SI 60 50 V	4	4	
35	35		1509730-00	B	DEC5301 NPN 200WC SI 40 20 V	12	12	
36	36		9007928-00		TERM,RING #10STUD CRIMP 14-1	8	8	
37	37		9007969-00		TERM,QUICK .300TAB CRIMP 14-1	36	36	
38	38		9007970-00		*** THIS ITEM IS NOT USED ***	-	-	
39	39		9006070-01	A	SCREW,MACH PAN PHIL 10-	4	4	
40	40		9107370-55	A	WIRE, 14AWG19/.0147IPVC 150V	A/R	A/R	
41	41		9107360-55	A	WIRE, 18AWG(19/30)IPVC 150V	A/R	A/R	
42	42		9107410-82	A	WIRE, 18AWG(19/30)IPVC 150V	A/R	A/R	
43	43		9107360-22	A	WIRE, 18AWG(19/30)IPVC 150V	A/R	A/R	
44	44		9107370-00	A	WIRE, 14AWG19/.0147IPVC 150V	A/R	A/R	
45	45		9107390-22	A	WIRE, 10AWG(105/30)IPVC 300V1	A/R	A/R	
46	46		9107360-11	A	WIRE, 18AWG(19/30)IPVC 150V	A/R	A/R	
47	47		9107410-81	A	WIRE, 18AWG(19/30)IPVC 150V	A/R	A/R	
48	48		9107430-29	A	*** THIS ITEM IS NOT USED ***	-	-	
49	49		9007775-00	A	STUD,BALL .250X0.447	1	1	
50	50		9006020-01	A	SCREW,MACH PAN PHIL 5-	1	1	
51	51		9006037-01	A	SCREW,MACH PAN PHIL 8-	3	3	
52	52		9006634-00	A	WASHER,LOCK INTERNAL STEEL	3	3	
53	53		9009255-00	B	LABEL, POWER SUPPLY, 2-15/16" L	1	1	
54	54		9007080-00	A	CLAMP,CABLE,SCREW MTD. 3/16"	2	2	
55	55		9006635-00	A	WASHER,LOCK INTERNAL STEEL	4	4	
56	56		9007920-00		TERM QUICK .300TAB CRIMP 12-1	2	2	
57	57		9006557-00	A	NUT,HEX EXT TOOTH LCK WSR 4-40	4	4	
58	58		9007046-00	A	GROMMET,STRIP POLYETHELENE	A/R	A/R	
59	59		9007594-00	A	ADHESIVE,NEOPRENE	A/R	A/R	
60	60		9009321-00	A	LOCK TITE, SCREW LOCK, 10CC PER	A/R	A/R	
61	61		9006707-00	A	WASHER,FLAT NYLON	2	2	
62	62		9006669-00	A	WASHER,FLAT SST	2	2	
63	63		1213071-02		INSULATOR,RUBBER SILICONE SM	2	2	
64	64		9107714-00	A	TUBING,SHRINK .093ID EXP	A/R	A/R	
65	65		1210930-02		FAN,TUBE AXIAL 4.5" 100CFM 230V	1	-	
66	66		1215041-00	A	THERMOSTAT,00190,C0230,SPST	2	2	
67	67		7419817-00		BRKT THERMOSTAT MFG	1	1	
68	68		7419817-01		BRKT THERMOSTAT MFG	1	1	
69	69		9005332-03	A	SCREW,CAP SJC HEX 6-	2	2	
70	70		1217916-02	A	FAN,TUBE AXIAL 4.5" 120CFM 230V	-	1	

D	I	G	I	T	A	L	TITLE	SECTION A OF A	SIZE	DATE	DOCUMENT NUMBER	REV
							REGULATED HEAT SINK ASSY -2.0V				7009404-0-DBP	F

MRO

THIS DRAWING IS UNCLASSIFIED, DATE 05-01-80 BY 1045/UC/BAW/STP/MLP. THIS DRAWING IS UNCLASSIFIED, DATE 05-01-80 BY 1045/UC/BAW/STP/MLP.

- NOTES:**
1. INSULATING TUBING (4 PCS), #4-40 THREADED ROD (4 PCS), LOCK WASHER, FLAT WASHER, INSULATING WASHER AND HEX NUT (8 EACH) SUPPLIED WITH ITEM 1.
  2. APPLY ITEM #23 THERMAL JOINT COMPOUND TO CONTACTING SURFACES OF TRANSISTORS ITEM #22 ALSO TO BOTH SIDES OF MICA WASHERS SUPPLIED WITH ITEM #25 AND #34 (4 ONLY) MICA WASHERS.
  3. USE CLAMP (ITEM 52) NEAR TERMINALS (ITEM 16) ONLY, 2 PLACES.
  4. ITEM #29 MAY BE SUBSTITUTED BY P/N 9008407-01
  5. DRILL OUT HOLES IN ITEM 30 TO .144" DIA BEFORE STARTING ASSY.
  6. ADD 3/16 IN. TUBING (ITEM) 61 TO CATHODE BEFORE ATTACHING WIRE. ADD 3/16 IN. TUBING (ITEM 61) TO GATE AFTER ATTACHING WIRE.
  7. APPLY ITEM #23 THERMAL JOINT COMPOUND TO CONTACTING SURFACES OF THERMOSTATS ITEM #63
  8. APPLY LOCKTITE (ITEM 58) TO THREADS ON STUDS OF MTG BRKT ITEM #44 AFTER INSTALLING NUTS.



REV	DATE	BY	CHKD	DESCRIPTION
1	10/10/71	J. PROVEDENT	J. PROVEDENT	ISSUED FOR PRODUCTION
2	11/10/71	J. PROVEDENT	J. PROVEDENT	REVISED TO ADD ITEM 58
3	12/10/71	J. PROVEDENT	J. PROVEDENT	REVISED TO ADD ITEM 61
4	01/10/72	J. PROVEDENT	J. PROVEDENT	REVISED TO ADD ITEM 62
5	02/10/72	J. PROVEDENT	J. PROVEDENT	REVISED TO ADD ITEM 63
6	03/10/72	J. PROVEDENT	J. PROVEDENT	REVISED TO ADD ITEM 64
7	04/10/72	J. PROVEDENT	J. PROVEDENT	REVISED TO ADD ITEM 65
8	05/10/72	J. PROVEDENT	J. PROVEDENT	REVISED TO ADD ITEM 66
9	06/10/72	J. PROVEDENT	J. PROVEDENT	REVISED TO ADD ITEM 67
10	07/10/72	J. PROVEDENT	J. PROVEDENT	REVISED TO ADD ITEM 68
11	08/10/72	J. PROVEDENT	J. PROVEDENT	REVISED TO ADD ITEM 69
12	09/10/72	J. PROVEDENT	J. PROVEDENT	REVISED TO ADD ITEM 70
13	10/10/72	J. PROVEDENT	J. PROVEDENT	REVISED TO ADD ITEM 71
14	11/10/72	J. PROVEDENT	J. PROVEDENT	REVISED TO ADD ITEM 72
15	12/10/72	J. PROVEDENT	J. PROVEDENT	REVISED TO ADD ITEM 73
16	01/10/73	J. PROVEDENT	J. PROVEDENT	REVISED TO ADD ITEM 74
17	02/10/73	J. PROVEDENT	J. PROVEDENT	REVISED TO ADD ITEM 75
18	03/10/73	J. PROVEDENT	J. PROVEDENT	REVISED TO ADD ITEM 76
19	04/10/73	J. PROVEDENT	J. PROVEDENT	REVISED TO ADD ITEM 77
20	05/10/73	J. PROVEDENT	J. PROVEDENT	REVISED TO ADD ITEM 78
21	06/10/73	J. PROVEDENT	J. PROVEDENT	REVISED TO ADD ITEM 79
22	07/10/73	J. PROVEDENT	J. PROVEDENT	REVISED TO ADD ITEM 80
23	08/10/73	J. PROVEDENT	J. PROVEDENT	REVISED TO ADD ITEM 81
24	09/10/73	J. PROVEDENT	J. PROVEDENT	REVISED TO ADD ITEM 82
25	10/10/73	J. PROVEDENT	J. PROVEDENT	REVISED TO ADD ITEM 83
26	11/10/73	J. PROVEDENT	J. PROVEDENT	REVISED TO ADD ITEM 84
27	12/10/73	J. PROVEDENT	J. PROVEDENT	REVISED TO ADD ITEM 85
28	01/10/74	J. PROVEDENT	J. PROVEDENT	REVISED TO ADD ITEM 86
29	02/10/74	J. PROVEDENT	J. PROVEDENT	REVISED TO ADD ITEM 87
30	03/10/74	J. PROVEDENT	J. PROVEDENT	REVISED TO ADD ITEM 88
31	04/10/74	J. PROVEDENT	J. PROVEDENT	REVISED TO ADD ITEM 89
32	05/10/74	J. PROVEDENT	J. PROVEDENT	REVISED TO ADD ITEM 90
33	06/10/74	J. PROVEDENT	J. PROVEDENT	REVISED TO ADD ITEM 91
34	07/10/74	J. PROVEDENT	J. PROVEDENT	REVISED TO ADD ITEM 92
35	08/10/74	J. PROVEDENT	J. PROVEDENT	REVISED TO ADD ITEM 93
36	09/10/74	J. PROVEDENT	J. PROVEDENT	REVISED TO ADD ITEM 94
37	10/10/74	J. PROVEDENT	J. PROVEDENT	REVISED TO ADD ITEM 95
38	11/10/74	J. PROVEDENT	J. PROVEDENT	REVISED TO ADD ITEM 96
39	12/10/74	J. PROVEDENT	J. PROVEDENT	REVISED TO ADD ITEM 97
40	01/10/75	J. PROVEDENT	J. PROVEDENT	REVISED TO ADD ITEM 98
41	02/10/75	J. PROVEDENT	J. PROVEDENT	REVISED TO ADD ITEM 99
42	03/10/75	J. PROVEDENT	J. PROVEDENT	REVISED TO ADD ITEM 100

REV	DATE	BY	CHKD	DESCRIPTION
1	10/10/71	J. PROVEDENT	J. PROVEDENT	ISSUED FOR PRODUCTION
2	11/10/71	J. PROVEDENT	J. PROVEDENT	REVISED TO ADD ITEM 58
3	12/10/71	J. PROVEDENT	J. PROVEDENT	REVISED TO ADD ITEM 61
4	01/10/72	J. PROVEDENT	J. PROVEDENT	REVISED TO ADD ITEM 62
5	02/10/72	J. PROVEDENT	J. PROVEDENT	REVISED TO ADD ITEM 63
6	03/10/72	J. PROVEDENT	J. PROVEDENT	REVISED TO ADD ITEM 64
7	04/10/72	J. PROVEDENT	J. PROVEDENT	REVISED TO ADD ITEM 65
8	05/10/72	J. PROVEDENT	J. PROVEDENT	REVISED TO ADD ITEM 66
9	06/10/72	J. PROVEDENT	J. PROVEDENT	REVISED TO ADD ITEM 67
10	07/10/72	J. PROVEDENT	J. PROVEDENT	REVISED TO ADD ITEM 68
11	08/10/72	J. PROVEDENT	J. PROVEDENT	REVISED TO ADD ITEM 69
12	09/10/72	J. PROVEDENT	J. PROVEDENT	REVISED TO ADD ITEM 70
13	10/10/72	J. PROVEDENT	J. PROVEDENT	REVISED TO ADD ITEM 71
14	11/10/72	J. PROVEDENT	J. PROVEDENT	REVISED TO ADD ITEM 72
15	12/10/72	J. PROVEDENT	J. PROVEDENT	REVISED TO ADD ITEM 73
16	01/10/73	J. PROVEDENT	J. PROVEDENT	REVISED TO ADD ITEM 74
17	02/10/73	J. PROVEDENT	J. PROVEDENT	REVISED TO ADD ITEM 75
18	03/10/73	J. PROVEDENT	J. PROVEDENT	REVISED TO ADD ITEM 76
19	04/10/73	J. PROVEDENT	J. PROVEDENT	REVISED TO ADD ITEM 77
20	05/10/73	J. PROVEDENT	J. PROVEDENT	REVISED TO ADD ITEM 78
21	06/10/73	J. PROVEDENT	J. PROVEDENT	REVISED TO ADD ITEM 79
22	07/10/73	J. PROVEDENT	J. PROVEDENT	REVISED TO ADD ITEM 80
23	08/10/73	J. PROVEDENT	J. PROVEDENT	REVISED TO ADD ITEM 81
24	09/10/73	J. PROVEDENT	J. PROVEDENT	REVISED TO ADD ITEM 82
25	10/10/73	J. PROVEDENT	J. PROVEDENT	REVISED TO ADD ITEM 83
26	11/10/73	J. PROVEDENT	J. PROVEDENT	REVISED TO ADD ITEM 84
27	12/10/73	J. PROVEDENT	J. PROVEDENT	REVISED TO ADD ITEM 85
28	01/10/74	J. PROVEDENT	J. PROVEDENT	REVISED TO ADD ITEM 86
29	02/10/74	J. PROVEDENT	J. PROVEDENT	REVISED TO ADD ITEM 87
30	03/10/74	J. PROVEDENT	J. PROVEDENT	REVISED TO ADD ITEM 88
31	04/10/74	J. PROVEDENT	J. PROVEDENT	REVISED TO ADD ITEM 89
32	05/10/74	J. PROVEDENT	J. PROVEDENT	REVISED TO ADD ITEM 90
33	06/10/74	J. PROVEDENT	J. PROVEDENT	REVISED TO ADD ITEM 91
34	07/10/74	J. PROVEDENT	J. PROVEDENT	REVISED TO ADD ITEM 92
35	08/10/74	J. PROVEDENT	J. PROVEDENT	REVISED TO ADD ITEM 93
36	09/10/74	J. PROVEDENT	J. PROVEDENT	REVISED TO ADD ITEM 94
37	10/10/74	J. PROVEDENT	J. PROVEDENT	REVISED TO ADD ITEM 95
38	11/10/74	J. PROVEDENT	J. PROVEDENT	REVISED TO ADD ITEM 96
39	12/10/74	J. PROVEDENT	J. PROVEDENT	REVISED TO ADD ITEM 97
40	01/10/75	J. PROVEDENT	J. PROVEDENT	REVISED TO ADD ITEM 98
41	02/10/75	J. PROVEDENT	J. PROVEDENT	REVISED TO ADD ITEM 99
42	03/10/75	J. PROVEDENT	J. PROVEDENT	REVISED TO ADD ITEM 100

7009405-0-0 F



THIS DRAWING AND SPECIFICATIONS HEREAFTER ARE THE PROPERTY OF DIGITAL EQUIPMENT CORPORATION AND SHALL NOT BE REPRODUCED IN COPY OR IN WHOLE OR IN PART AS THE BASIS FOR THE MANUFACTURE OR SALE OF ITEMS WITHOUT WRITTEN PERMISSION. COPYRIGHT © 1972, DIGITAL EQUIPMENT CORPORATION

WIPE TABLE						WIPE TABLE							
ITEM NO.	DESCRIPTION	FROM	TO	REMARKS		ITEM NO.	DESCRIPTION	FROM	TO	REMARKS			
AWG.	COLOR	CONN.	WITH	CONN.	WITH	AWG.	COLOR	CONN.	WITH	CONN.	WITH		
38	14	GRY	PC1-28	38	Q1-3	SOLD	38	14	GRY	PC2-28	38	Q19-3	SOLD
			PC1-27	38	Q2-3					PC2-27	38	Q20-3	
			Q3-1							Q21-1			
			Q9-1		Q4-1					Q23-1		Q22-1	
					Q8-1					Q24-1			
38	14	GRY	PC1-25	36	D1-3	SOLD	38	14	GRY	PC2-25	36	D3-3	SOLD
42	18	VIO			J1-5	12	42	18	VIO			J2-2	12
41		GRY	PC1-20	36	D1-1	SOLD	41		GRY	PC2-20	36	D3-1	SOLD
45		GRY/VIO				12	45		GRY/VIO			J2-1	12
41		GRY	PC1-23	36	Q2-1	SOLD	41		GRY	PC2-23	36	Q20-1	SOLD
41	14		Q2-1	SOLD	Q1-2		41	14		Q20-1	SOLD	Q19-2	
39	14		PC1-22	38	Q3-2		39	14		PC2-22	38	Q21-2	
			PC1-24		Q2-2					PC2-24		Q20-2	
			PC1-21		Q1-1					PC2-21		Q19-1	
			PC1-20		Q3-3					PC2-20		Q21-3	
			PC1-19		Q4-3					PC2-19		Q22-3	
			PC1-18		Q5-3					PC2-18		Q23-3	
38		GRY	PC1-17	38	Q8-3	SOLD	38		GRY	PC2-17	38	Q24-3	SOLD
38		GRY	TB1-1	14	PC1-18	33	38		GRY	TB2-1	14	PC2-18	33
			TB1-2	14	PC1-15	33				TB2-2	14	PC2-15	33
38		GRY					38		GRY				
38		GRN	TB1-3	14	PC1-14	33	38		GRN	TB2-3	14	PC2-14	33
			TB1-4	14	PC1-13	33				TB2-4	14	PC2-13	33
			PC1-1	38	Q7-3	SOLD				PC2-1	38	Q13-3	SOLD
			PC1-2	38	Q8-3					PC2-2	38		
			Q8-3	SOLD	Q9-1					Q15-1	SOLD	Q14-3	
			Q10-1									Q10-1	
			Q12-1	SOLD	Q11-1					Q17-1	SOLD	Q16-1	
38	14	GRN	PC1-4	38	Q2-3	SOLD	38	14	GRN	PC2-4	38	Q4-3	SOLD
44	18	WHT			J1-2	12	44	18	WHT			J2-5	12
43		GRN	PC1-3	36	D2-1	SOLD	43		GRN	PC2-3	36	D4-1	SOLD
48		GRY-WHT	PC1-6	38	J1-1	12	48		GRY-WHT	PC2-6	36	J2-4	12
43		GRN			Q9-1	SOLD	43		GRN				SOLD
43	18		Q9-1	SOLD	Q7-2		43	18	GRN	Q13-2	SOLD	Q14-1	
39	14		PC1-7	38	Q9-2		39	14	GRN	PC2-5	38	Q14-2	
			PC1-5		Q9-2					PC2-7		Q15-2	
			PC1-8		Q7-1					PC2-8		Q13-1	
			PC1-9		Q9-3					PC2-9		Q15-3	
			PC1-10		Q10-3					PC2-10		Q16-3	
			PC1-11		Q11-3					PC2-11		Q17-3	
38		GRN	PC1-12	38	Q12-3	SOLD	38		GRN	PC2-12	38	Q18-3	SOLD
40		BLK	PC1-30	33	D2-2	SOLD	40		BLK	PC2-30	33	D4-2	SOLD
					J1-3	12						J2-6	12
			PC1-29	33	D1-2	SOLD				PC2-29	33	D3-2	SOLD
40	14	BLK			J1-6	12	40	14	BLK			J2-3	12

REVISIONS		
CHK	CHANGE NO.	REV

7009475-0-01 F



LINE	ITEM	TOP DOCUMENT	PART NUMBER	REV	DESCRIPTION	QTY	PER	VARIATION
						30	01	
						F	A	
1	1		1211480-00	D	HEAT SINKS, 8.900X4.68	1	1	
2	2	D-IA-7411262-0-0	7411262-00		PLATE HEAT SINK MFG (KL10)	1	1	
3	3	D-IA-7411000-0-0	7411000-00		SUPPORT HEAT SINK (KL10)	1	1	
4	4	C-IA-7410999-0-0	7410999-00	A	CONN BRACKET (KL10)	1	1	
5	5	C-IA-7411136-0-0	7411136-00		BUSSING STRIP NO 1 (KL10)	4	4	
6	6	C-IA-7411137-0-0	7411137-01		BUSSING STRIP NO 2 (KL10)	2	2	
7	7	C-IA-7411137-0-0	7411137-02		BUSSING STRIP NO 2 (KL10)	2	2	
8	8	E-IA-7411001-0-0	7411001-00		FAN BRKT (KL10)	1	1	
9	9	B-MD-7411295-0-0	7411295-00	A	STANDOFF BUSHING (KL10)	20	20	
10	10		1209350-06		MATE-N-LOK 06SKT(3X02).240CC HSG	2	2	
11	11	BLANK				0	0	
12	12		1209379-02	M	MATE-N-LOK 01SKT 20-14AWG .08230	12	12	
13	13		1210930-01	E	*** THIS ITEM IS NOT USED ***	-	-	
14	14		9007926-01		TERM,RYNG #10SIUD CRIMP 10-1	8	8	
15	15		9007031-00	B	TIE,CABLE BUNDL.DIA 0- 3/4"=101	7	7	
16	16		1203346-00	A	TERM BLOCK 04POS(1X04).437CC	2	2	
17	17	BLANK				0	0	
18	18	BLANK				0	0	
19	19		9009648-08	A	SCREW,CAP SDC HEX 6-	20	20	
20	20		9006331-08	A	SCREW,CAP SDC HEX 5-	26	26	
21	21	BLANK				0	0	
22	22	D-CS-5410665-0-0	5410665-00		-5.2 REG HEAT SINK ASSY	2	2	
23	23		9008268-00	A	COMPOUND, THERMAL JOINT	A/R	A/R	
24	24		9007081-00	A	CLAMP,CABLE,SCREW MID. 1/4"	1	1	
25	25		1111481-00	A	SCR PIV= 10 IO=35.00A	4	4	
26	26		9006021-01	A	SCREW,MACH PAN PHIL 5-	2	2	
27	27		9006633-00	A	WASHER,LOCK INTERNAL STEEL	4	4	
28	28		9006037-01	A	SCREW,MACH PAN PHIL 8-	3	3	
29	29		9008201-01	A	SCREW,TAP PAN SLJF 5-	13	13	
30	30		1210130-00	A	SKT,XSTR 02PTN CAD TO-3	24	24	

REVISION HISTORY			BASIC PART NO: 7009405								
ENGI	ECO NUMBER	REV	SECTION A OF A	IDRN:	K. GAVACHE	DATE:	13 DEC 73	DIGITAL			
	INITIAL	F	SECTION VARIATION INDEX	CHK'D:	D. HEALY	DATE:	7 JUL 74	TITLE PARTS LIST			
			CA100,01					REGULATED HEAT SINK ASSY -5.2V			
			CBJ	DES.ENG:	J. DREW	DATE:	19 SEP 74	DOCUMENT NUMBER			
			CCJ					SIZE	CODE	NUMBER	REV
			CDJ	RESP.ENG.:	J. DREW	DATE:	19 SEP 74	K	PL	7009405-3-08P	F
			CEJ								
			CFJ	MFG.ENG.:	R. O'BRIAN	DATE:	9 NOV 74	RELEASE DATE: 06-MAR-84			
				ASSEMBLY NUMBER:	ID-UA-7009405-0-0	TOP DOCUMENT NUMBER:	ID-UA-7009405-0-0	FILE NAME:	Z7455P.PLS	EDIT #	5

"THIS DRAWING AND THE SPECIFICATIONS CONTAINED HEREIN ARE CONFIDENTIAL AND PROPRIETARY. THEY ARE THE PROPERTY OF DIGITAL EQUIPMENT CORPORATION AND SHALL NOT BE REPRODUCED OR COPIED OR USED IN WHOLE OR IN PART AS THE BASIS FOR THE MANUFACTURE OR SALE OF ITEMS WITHOUT WRITTEN PERMISSION. THIS IS AN UNPUBLISHED WORK PROTECTED UNDER THE FEDERAL COPYRIGHT LAWS."

MRO

AUTOMATED BY PRTLST.5R(52)

PARTS LIST

SHEET A2 OF A2

LINE	ITEM	TOP DOCUMENT	PART NUMBER	MIN REV	DESCRIPTION	QTY	PER	VARIATION
						30	01	
					VARIATION REVISION LEVEL:	F	A	
31	31		9008274-00	B	FOAM, TAPE 3/8" X 3/8" BLACK	A/R	A/R	
32	32		9009283-00	A	SPACER, CLEAR HOLE HEX ALUM 6	12	12	
33	33		9007920-00		TERM QUICK .300TAS CRIMP 12-1	12	12	
34	34		1503068-00	A	DEC3715 NPN 150MC SI 50 50 V	8	8	
35	35		1509730-00	B	DEC5301 NPN 200MC SI 40 20 M	15	15	
36	36		9007969-00		TERM, QUICK .300TAS CRIMP 14-1	48	48	
37	37		9009255-00	B	LABEL, POWER SUPPLY, 2-15/16" L	1	1	
38	38		9107370-88	A	WIRE, 14AWG19/.0147IPVC 150V	A/R	A/R	
39	39		9107370-55	A	WIRE, 14AWG19/.0147IPVC 150V	A/R	A/R	
40	40		9107370-00	A	WIRE, 14AWG19/.0147IPVC 150V	A/R	A/R	
41	41		9107360-88	A	WIRE, 18AWG(19/30)IPVC 150V	A/R	A/R	
42	42		9107360-77	A	WIRE, 18AWG(19/30)IPVC 150V	A/R	A/R	
43	43		9107360-55	A	WIRE, 18AWG(19/30)IPVC 150V	A/R	A/R	
44	44		9107360-99	A	WIRE, 18AWG(19/30)IPVC 150V	A/R	A/R	
45	45		9107410-87	A	WIRE, 18AWG(19/30)IPVC 150V	A/R	A/R	
46	46		9107410-89	A	WIRE, 18AWG(19/30)IPVC 150V	A/R	A/R	
47	47		9107430-29	A	*** THIS ITEM IS NOT USED ***	-	-	
48	48		9007775-00	A	STUD, BALL .250X0.447	1	1	
49	49		9006020-01	A	SCREW, MACH PAN PHIL 5-	1	1	
50	50		9008185-00	A	NUT, HEX EXT TOOTH LCKWSHR 5-32	56	56	
51	51		9006634-00	A	WASHER, LOCK INTERNAL STEEL	3	3	
52	52		9007080-00	A	CLAMP, CABLE, SCREW MTD. 3/16"	2	2	
53	53		9006557-00	A	NUT, HEX EXT TOOTH LCKWSHR 4-40	4	4	
54	54		9007046-00	A	GROMMET, STRIP POLYETHYLENE	A/R	A/R	
55	55		9007594-00	A	ADHESIVE, NEOPRENE	A/R	A/R	
56	56		9107240-00	A	WRAP, CABLE, .2500D VINYL	A/R	A/R	
57	57		9006653-00	A	WASHER, FLAT STEEL	1	1	
58	58		9009321-00	A	LOCK TITE, SCREW LOCK, 10CC PER	A/R	A/R	
59	59		9006669-00	A	WASHER, FLAT SST	4	4	
60	60		1213071-02		INSULATOR, RUBBER SILICONE SM	4	4	
61	61		9107714-00	A	TUBING, SHRINK .093ID EXP	A/R	A/R	
62	62		1210930-02		FAN, TUBE AXIAL 4.5" 100CFM 230V	1	-	
63	63		1215041-01	A	THERMOSTAT, DQ220, C2260, SPST	2	2	
64	64		7419817-00		BRKT THERMOSTAT MTG	1	1	
65	65		7419817-01		BRKT THERMOSTAT MTG	1	1	
66	66		9006332-08	A	SCREW, CAP SOC HEX 5-	2	2	
67	67		1217916-02	A	FAN, TUBE AXIAL 4.5" 120CFM 230V	-	1	

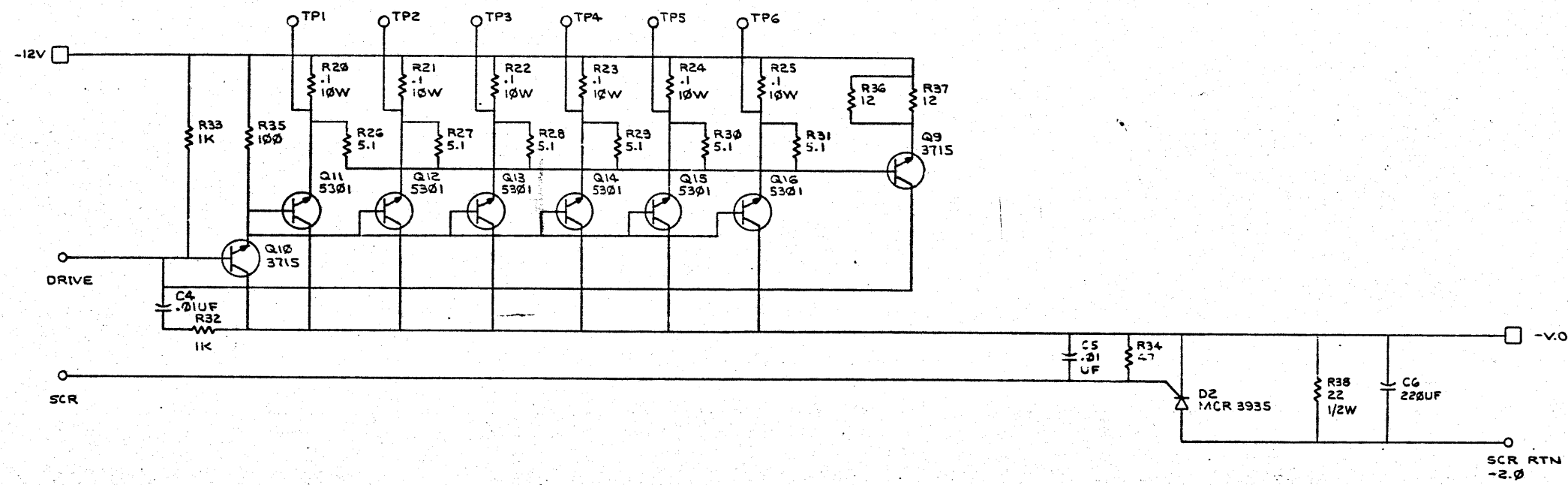
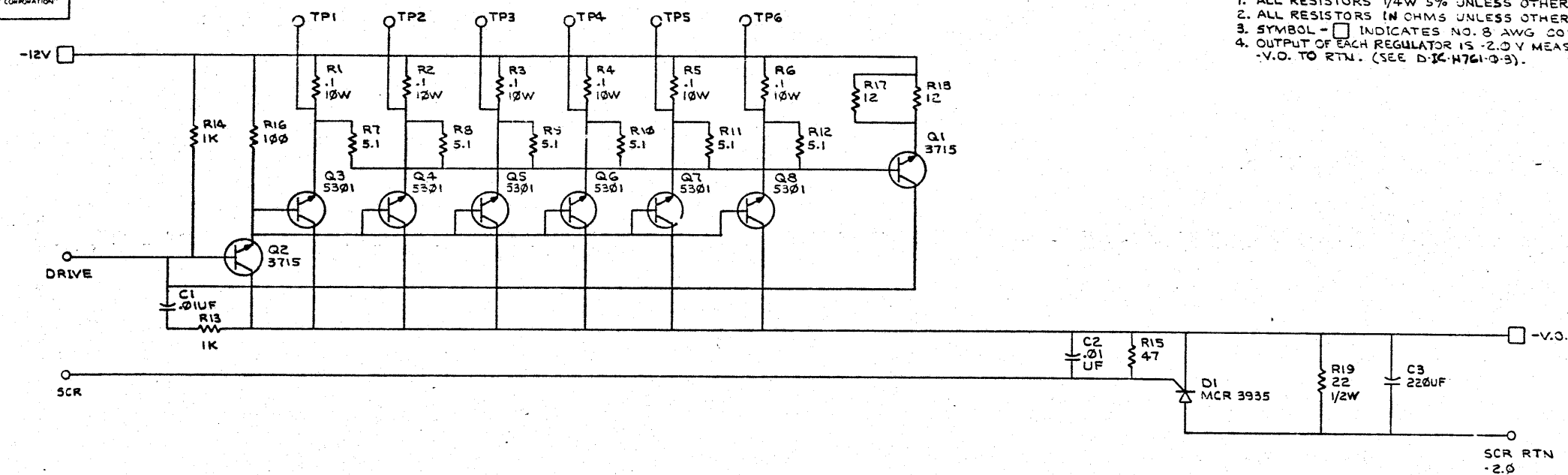
D	I	G	I	T	A	L	TITLE	REGULATED HEAT SINK ASSY -5.2V	SECTION A OF A	SIZE	CD	DOCUMENT NUMBER	7009405-0-DBP	REV	P
---	---	---	---	---	---	---	-------	--------------------------------	----------------	------	----	-----------------	---------------	-----	---

MRO

THIS DRAWING AND SPECIFICATIONS HEREIN ARE THE PROPERTY OF DIGITAL EQUIPMENT CORPORATION AND SHALL NOT BE REPRODUCED OR FURNISHED TO ANY OTHER PERSON OR ENTITY AS THE BASIS FOR THE MANUFACTURE OR SALE OF ITEMS WITHOUT WRITTEN PERMISSION OF DIGITAL EQUIPMENT CORPORATION.

DCS 7009404-0-1

- NOTES:
1. ALL RESISTORS 1/4W 5% UNLESS OTHERWISE STATED.
  2. ALL RESISTORS IN OHMS UNLESS OTHERWISE STATED.
  3. SYMBOL -  $\square$  INDICATES NO. 8 AWG CONNECTION.
  4. OUTPUT OF EACH REGULATOR IS -2.0 V MEASURED FROM -V.O. TO RTN. (SEE D-14-H761-0-3).



FIRST USED ON OPTION/MODEL	QTY.	DESCRIPTION	PART NO.	ITEM NO.
KL10				
PARTS LIST				
UNLESS OTHERWISE SPECIFIED DIMENSION IN INCHES		DRN: <i>[Signature]</i>	DATE: <i>[Date]</i>	<div style="text-align: center;"> <p>DIGITAL EQUIPMENT CORPORATION MASSACHUSETTS</p> </div>
TOLERANCES		CHKD: <i>[Signature]</i>	DATE: <i>[Date]</i>	
DECIMALS	ANGLES	ENG: <i>[Signature]</i>	DATE: <i>[Date]</i>	<div style="text-align: center;"> <p>-2.0 V</p> <p>HEAT SINK ASSY</p> </div>
.xxx = .015	-0° 30'	PROJ. ENG: <i>[Signature]</i>	DATE: <i>[Date]</i>	
REMOVE BURRS AND BREAK SHARP CORNERS SURFACE QUALITY		PRD: <i>[Signature]</i>	DATE: <i>[Date]</i>	
MATERIAL		NEXT HIGHER ASSY.		
FINISH		SCALE: <i>[Scale]</i>		
		SHEET 1 OF 1		
		DIST.:		
		SIZE CODE: H761		
		NUMBER: DCS 7009404-0-1		
		REV.:		

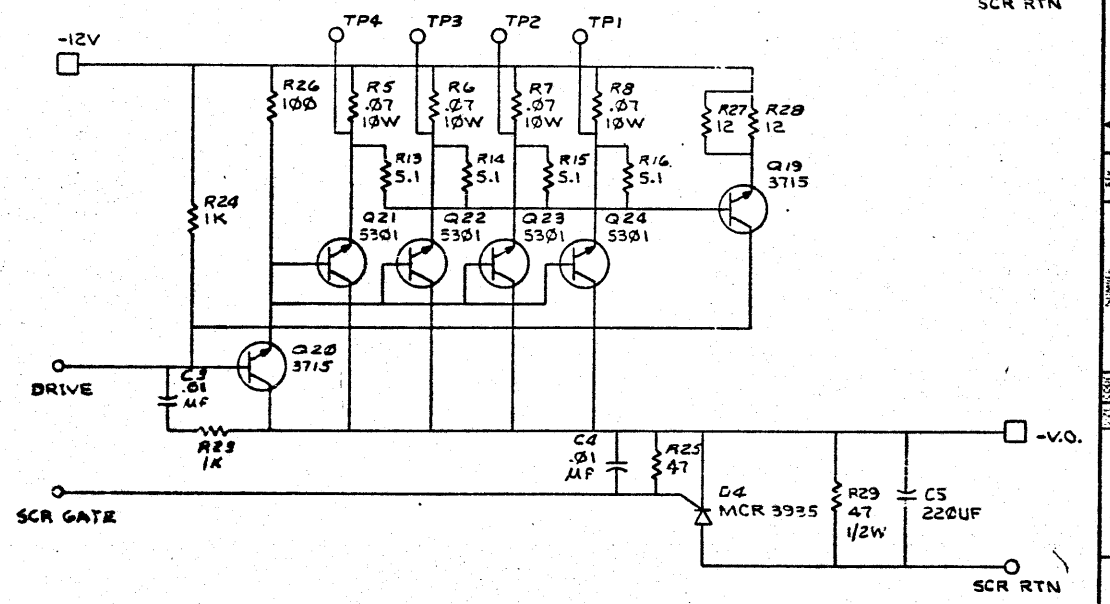
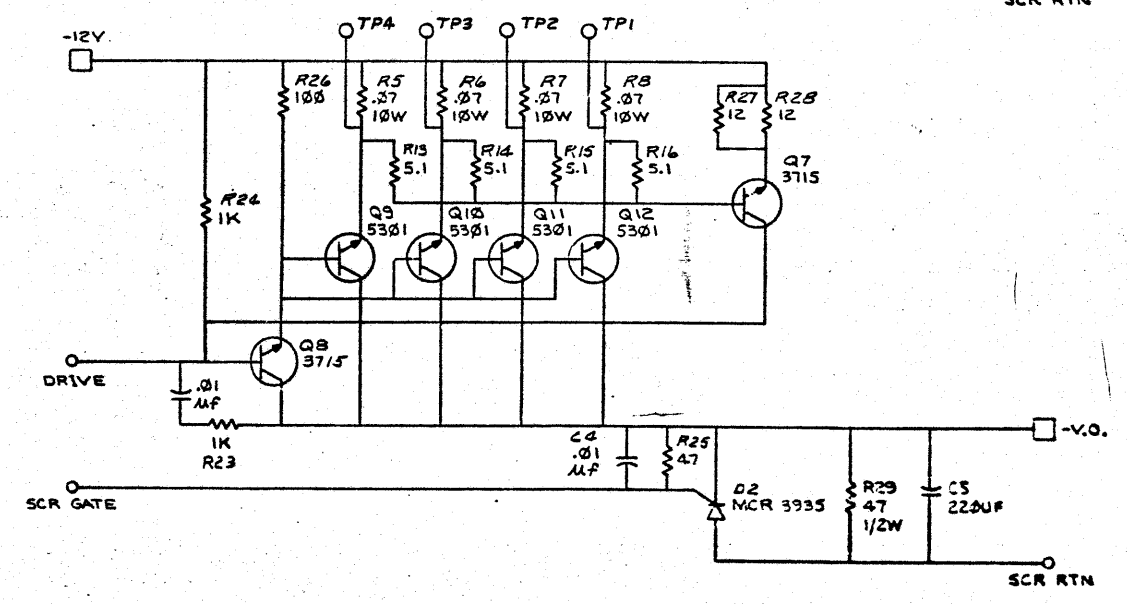
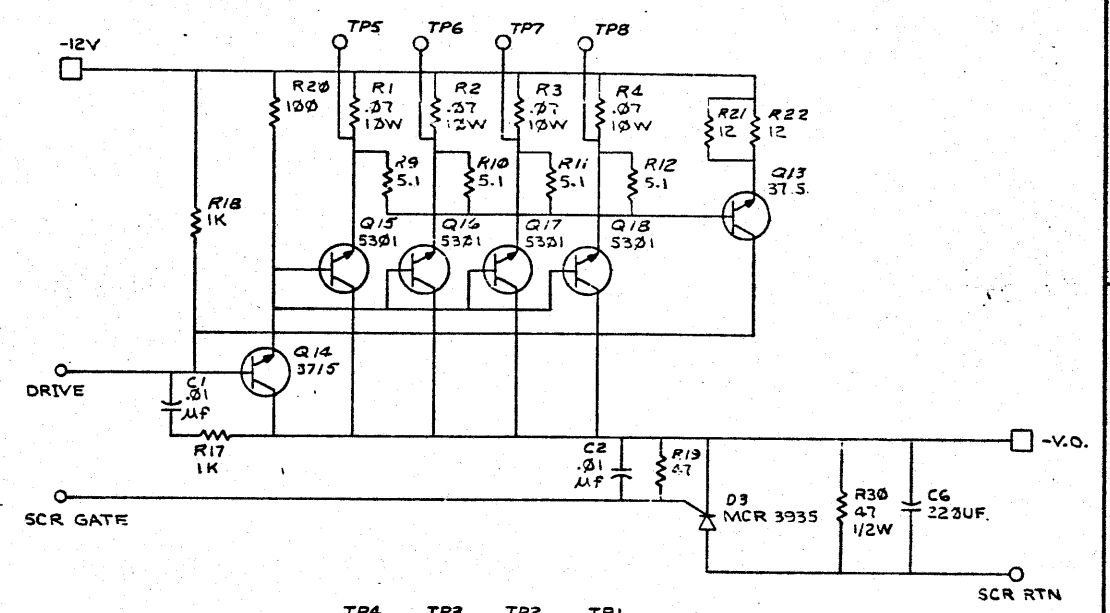
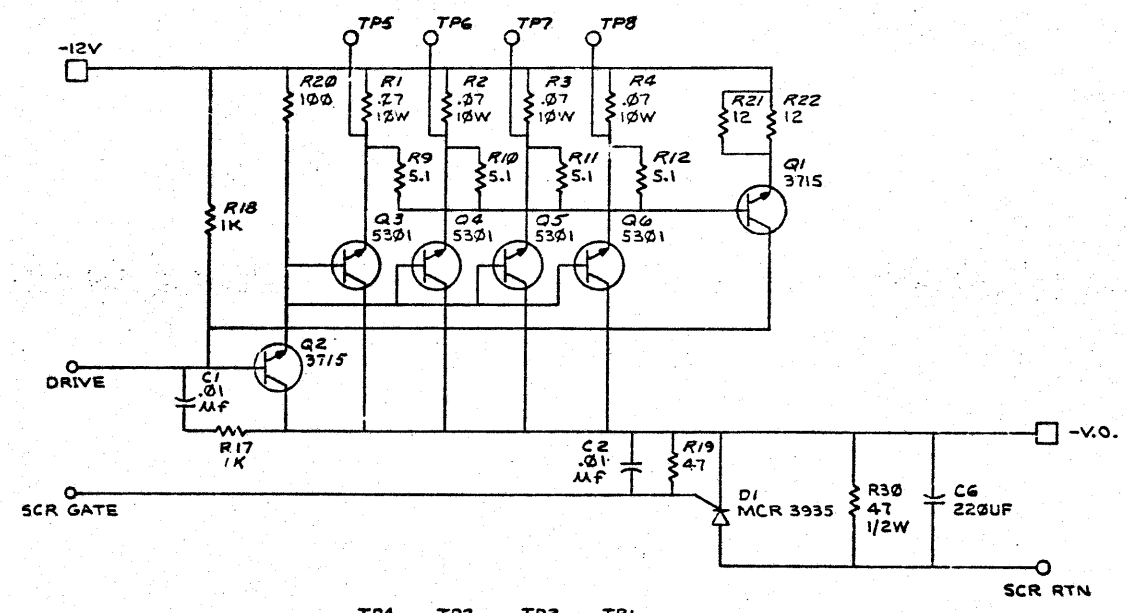
REV. 1  
DATE: 11/15/68  
BY: *[Signature]*

DCS 7009404-0-1

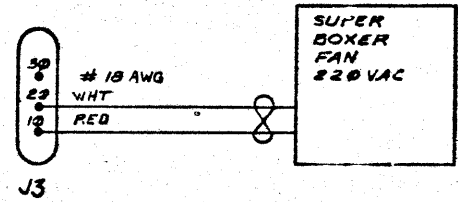
THIS DRAWING AND SPECIFICATIONS HEREIN ARE THE PROPERTY OF DIGITAL EQUIPMENT CORPORATION AND SHALL NOT BE REPRODUCED OR COPIED OR USED IN WHOLE OR IN PART AS A BASIS FOR THE MANUFACTURE OR SALE OF ITEMS WITHOUT WRITTEN PERMISSION. COPYRIGHT © 1975, DIGITAL EQUIPMENT CORPORATION

NOTES:  
1. OUTPUT OF EACH REGULATOR IS -5.2 V MEASURED FROM -V.O. TO RTN. (SEE D.I.C. H761-0 B).

NOTES:  
2. ALL RESISTORS 1/4-W 5% UNLESS OTHERWISE STATED.  
3. ALL RESISTORS IN OHMS UNLESS OTHERWISE STATED.  
4. SYMBOL - □ INDICATES NO. 8 AWG CONNECTION.



MATE-N-LOK LOCATED ON HEAT SINK MOUNTING BKT.



FIRST USED ON OPTION/MODEL	QTY.	DESCRIPTION	PART NO.	ITEM NO.
KL10				
UNLESS OTHERWISE SPECIFIED DIMENSION IN INCHES				
TOLERANCES				
DECIMALS	ANGLES	DATE		
.XXX = .005	.0	7/13/73		
.XX = .02	.0 30'	DATE		
.X = .1		9/10/73		
REMOVE BURRS AND BREAK SHARP CORNERS SURFACE QUALITY V				
NEXT HIGHER ASSY.				
TITLE				
-5.2 V HEAT SINK ASSY				
MATERIAL				
FINISH				
SCALE				
SHEET 1 OF 1				
PARTS LIST			digital EQUIPMENT CORPORATION	
SIZE CODE			NUMBER	
H761			D CS 7009405-0-1	
DIST.			REV.	

REV.	DATE	BY	CHKD.
1			
2			
3			

DEC 10/74 000-33C

D CS 7009405-0-1

THE DIMENSIONS AND SPECIFICATIONS HEREIN ARE THE PROPERTY OF DIGITAL EQUIPMENT CORPORATION AND SHALL NOT BE REPRODUCED OR COPIED IN WHOLE OR IN PART WITHOUT WRITTEN PERMISSION OF DIGITAL EQUIPMENT CORPORATION.

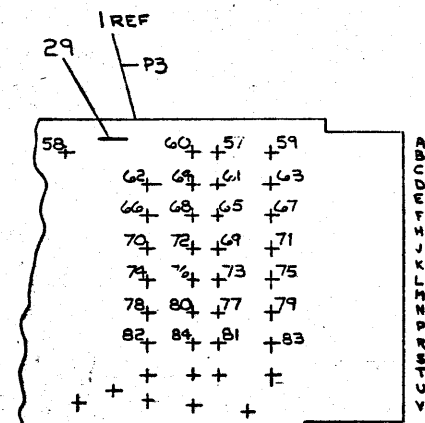
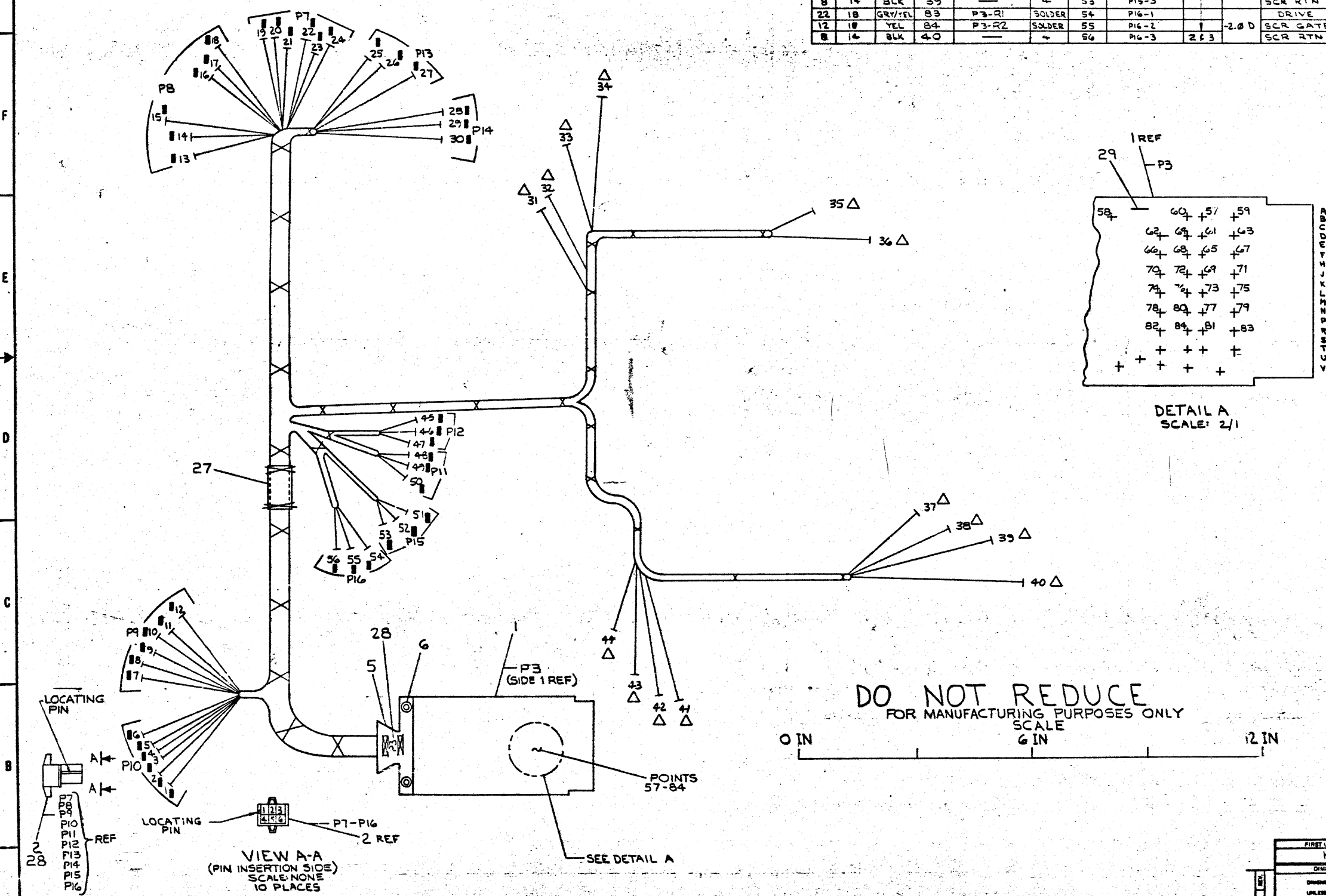
WIRE TABLE

ITEM NO.	AWG	COLOR	POINT	FROM			TO			FUNCTION
				CONNECTION	TERM	POINT	CONNECTION	TERM		
15	18	VIO	67	P3-H1	SOLDER	1	P10-1	2 F 3	DRIVE	
25	18	GRY/VIO	70	P3-2	SOLDER	2	P10-2		SCR GATE	
8	14	BLK	42			4	P10-3		SCR RTN	
16	18	GRY	71	P3-1	SOLDER	4	P10-4		DRIVE	
18	18	GRY/BLK	72	P3-1	SOLDER	5	P10-5		SCR GATE	
8	14	BLK	41			4	P10-6		SCR RTN	
13	18	GRN	65	P3-E1	SOLDER	7	P9-1		DRIVE	
23	18	GRY/GRN	66	P3-E2	SOLDER	8	P9-2		SCR GATE	
8	14	BLK	44			4	P9-3		SCR RTN	
14	18	BLU	67	P3-F1	SOLDER	10	P9-4		DRIVE	
24	18	GRY/BLU	68	P3-F2	SOLDER	11	P9-5		SCR GATE	
8	14	BLK	43			4	P9-6		SCR RTN	
11	18	ORN	61	P3-C1	SOLDER	13	P8-1		DRIVE	
21	18	GRY/ORN	62	P3-C2	SOLDER	14	P8-2		SCR GATE	
8	14	BLK	34			4	P8-3		SCR RTN	
12	18	YEL	63	P3-D1	SOLDER	16	P8-4		DRIVE	
22	18	GRY/YEL	64	P3-D2	SOLDER	17	P8-5		SCR GATE	
8	14	BLK	32			4	P8-6	2 F 3	SCR RTN	

WIRE TABLE

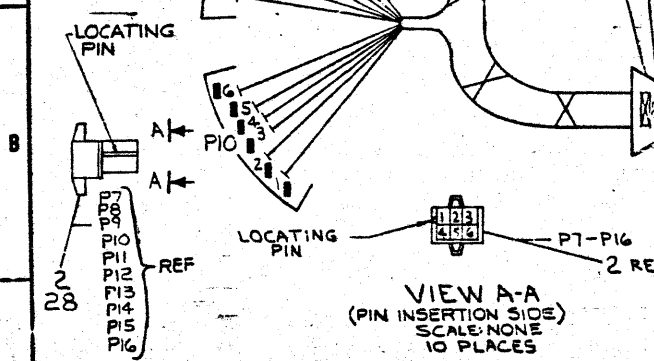
ITEM NO.	AWG	COLOR	POINT	FROM			TO			FUNCTION
				CONNECTION	TERM	POINT	CONNECTION	TERM		
7	18	BRN	57	P3-A1	SOLDER	19	P7-1	2 F 3	DRIVE	
19	18	GRY/BRN	58	P3-A2	SOLDER	20	P7-2		SCR GATE	
8	14	BLK	31			4	P7-3		SCR RTN	
10	18	RED	59	P3-B1	SOLDER	22	P7-4		DRIVE	
20	18	GRY/RED	60	P3-B2	SOLDER	23	P7-5		SCR GATE	
8	14	BLK	33			4	P7-6		SCR RTN	
17	18	WHT	73	P3-K1	SOLDER	45	P12-1		DRIVE	
26	18	GRY/WHT	74	P3-K2	SOLDER	46	P12-2		SCR GATE	
8	14	BLK	35			4	P12-3		SCR RTN	
25	18	GRY/VIO	75	P3-L1	SOLDER	48	P11-1		DRIVE	
15	18	VIO	76	P3-L2	SOLDER	49	P11-2		SCR GATE	
8	14	BLK	36			4	P11-3		SCR RTN	
19	18	GRY/BRN	77	P3-M1	SOLDER	25	P13-1		DRIVE	
7	18	BRN	78	P3-M2	SOLDER	26	P13-2		SCR GATE	
8	14	BLK	37			4	P13-3		SCR RTN	
20	18	GRY/RED	79	P3-N1	SOLDER	28	P14-1		DRIVE	
10	18	RED	80	P3-N2	SOLDER	29	P14-2		SCR GATE	
8	14	BLK	38			4	P14-3		SCR RTN	
21	18	GRY/ORN	81	P3-O1	SOLDER	51	P15-1		DRIVE	
11	18	ORN	82	P3-O2	SOLDER	52	P15-2		SCR GATE	
8	14	BLK	39			4	P15-3		SCR RTN	
22	18	GRY/YEL	83	P3-R1	SOLDER	54	P16-1		DRIVE	
12	18	YEL	84	P3-R2	SOLDER	55	P16-2		SCR GATE	
8	14	BLK	40			4	P16-3	2 F 3	SCR RTN	

NOTES:  
 1. USE "TIE WRAPS" (ITEM #7) APPROXIMATELY EVERY THREE INCHES WHEN NECESSARY, AND AT EVERY BREAK-OUT POINT. 'X' REPRESENTS TIE WRAP.  
 2. LABEL ALL CUT LINES WITH POINT DESIGNATIONS SHOWN, USING BRADY MARKERS.

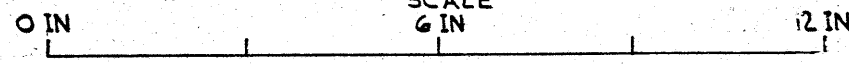


QTY	DESCRIPTION	PART NO.	ITEM NO.
1	JUMPER	9009185	29
1	DECAL	4007409872-00	28
1	LABEL, CABLE, I.D.	9009532	27
2 FT	WIRE, 18AWG, IPVC, GRY/WHT	9107410-89	26
3 FT	WIRE, 18AWG, IPVC, GRY/VIO	9107410-87	25
1 FT	WIRE, 18AWG, IPVC, GRY/BLU	9107410-86	24
1 FT	WIRE, 18AWG, IPVC, GRY/GRN	9107410-85	23
4 FT	WIRE, 18AWG, IPVC, GRY/YEL	9107410-84	22
4 FT	WIRE, 18AWG, IPVC, GRY/ORN	9107410-83	21
5 FT	WIRE, 18AWG, IPVC, GRY/RED	9107410-82	20
5 FT	WIRE, 18AWG, IPVC, GRY/BRN	9107410-81	19
1 FT	WIRE, 18AWG, IPVC, GRY/BLK	9107410-80	18
2 FT	WIRE, 18AWG, IPVC, WHT	9107360-99	17
1 FT	WIRE, 18AWG, IPVC, GRY	9107360-88	16
3 FT	WIRE, 18AWG, IPVC, VIO	9107360-77	15
1 FT	WIRE, 18AWG, IPVC, BLU	9107360-66	14
1 FT	WIRE, 18AWG, IPVC, GRN	9107360-55	13
3 FT	WIRE, 18AWG, IPVC, YEL	9107360-44	2
4 FT	WIRE, 18AWG, IPVC, ORN	9107360-33	11
5 FT	WIRE, 18AWG, IPVC, RED	9107360-22	10
5 FT	WIRE, 18AWG, IPVC, BRN	9107360-11	9
32 FT	WIRE, 14AWG, IPVC, BLK	9107370-00	8
31	TIE, CABLE 3.75L6.09N	9007031	7
2	EYELET	9006741	6
1	CLAMP, CABLE	1202790	5
14	CONN, SOLDERLESS	9007928	4
42	PIN, TERMINAL CONT	1209373-00	3
10	CONN HOUSING, 6 PIN	209351-06	2
1	CABLE TIE CONN 60 150S	11295	1

DATE	BY	DESCRIPTION	REV.
10/17/74	J. W. [Signature]	DRIVE, SCR & SCR RTN	1
10/17/74	J. W. [Signature]	DRIVE, SCR & SCR RTN	2

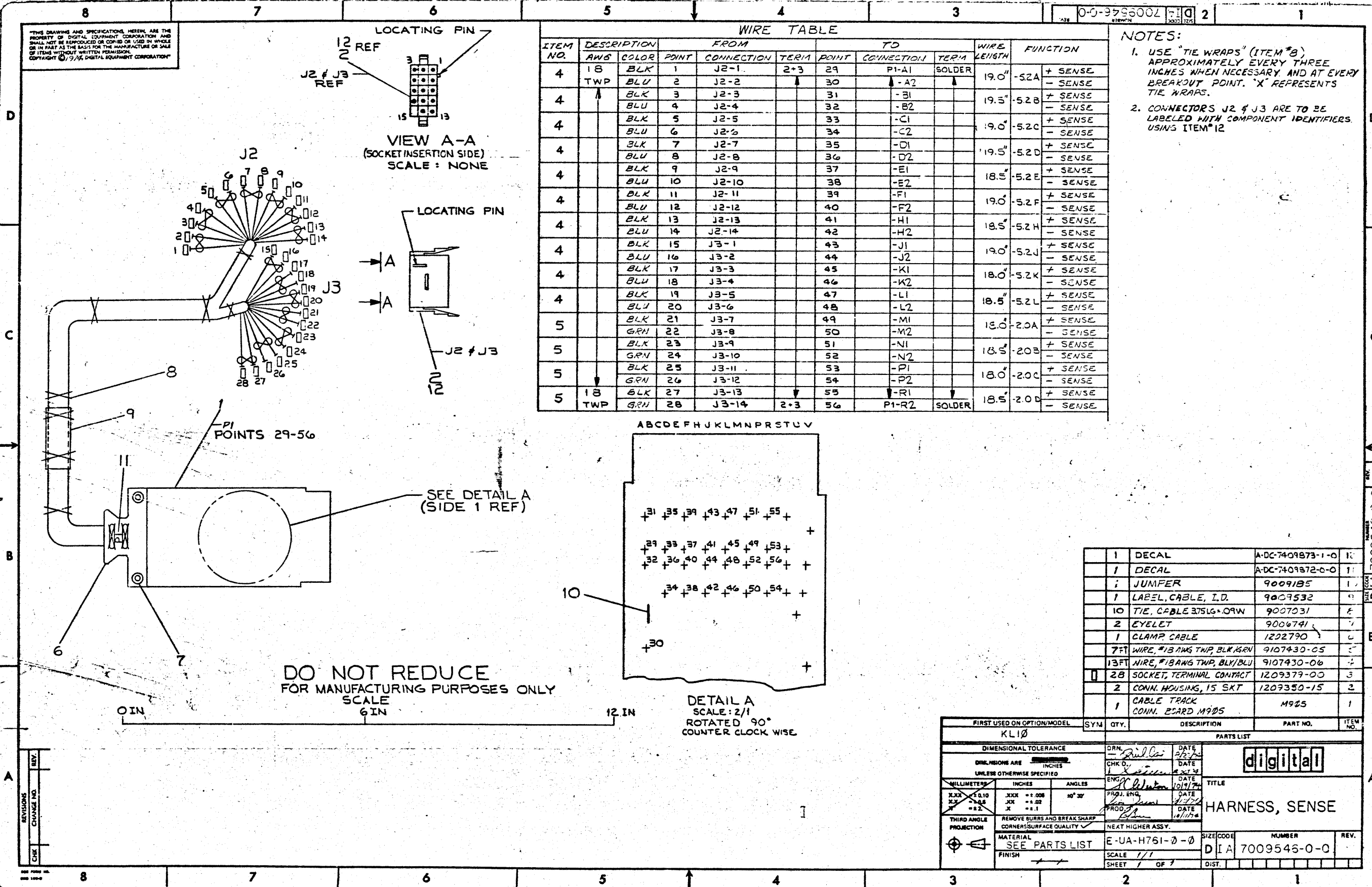


DO NOT REDUCE FOR MANUFACTURING PURPOSES ONLY



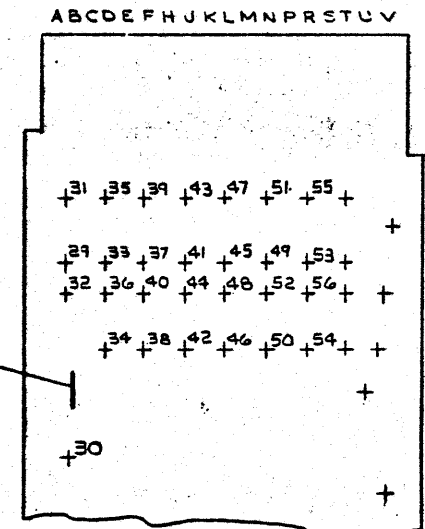
THIS DRAWING AND SPECIFICATIONS HEREIN ARE THE PROPERTY OF DIGITAL EQUIPMENT CORPORATION AND SHALL NOT BE REPRODUCED OR COPIED OR USED IN WHOLE OR IN PART AS THE BASIS FOR THE MANUFACTURE OR SALE OF ITEMS WITHOUT WRITTEN PERMISSION. COPYRIGHT © 1974 DIGITAL EQUIPMENT CORPORATION

0-0-999500Z



ITEM NO.	DESCRIPTION		FROM		TO		WIRE LENGTH	FUNCTION		
	AWG	COLOR	POINT	CONNECTION	TERM	POINT			CONNECTION	TERM
4	18	BLK	1	J2-1	2+3	29	P1-A1	SOLDER	19.0"	+ SENSE
	TWP	BLU	2	J2-2		30	-A2			- SENSE
4		BLK	3	J2-3		31	-B1		19.5"	+ SENSE
		BLU	4	J2-4		32	-B2			- SENSE
4		BLK	5	J2-5		33	-C1		19.0"	+ SENSE
		BLU	6	J2-6		34	-C2			- SENSE
4		BLK	7	J2-7		35	-D1		19.5"	+ SENSE
		BLU	8	J2-8		36	-D2			- SENSE
4		BLK	9	J2-9		37	-E1		18.5"	+ SENSE
		BLU	10	J2-10		38	-E2			- SENSE
4		BLK	11	J2-11		39	-F1		19.0"	+ SENSE
		BLU	12	J2-12		40	-F2			- SENSE
4		BLK	13	J2-13		41	-H1		18.5"	+ SENSE
		BLU	14	J2-14		42	-H2			- SENSE
4		BLK	15	J3-1		43	-J1		19.0"	+ SENSE
		BLU	16	J3-2		44	-J2			- SENSE
4		BLK	17	J3-3		45	-K1		18.0"	+ SENSE
		BLU	18	J3-4		46	-K2			- SENSE
4		BLK	19	J3-5		47	-L1		18.5"	+ SENSE
		BLU	20	J3-6		48	-L2			- SENSE
5		BLK	21	J3-7		49	-M1		18.0"	+ SENSE
		GRN	22	J3-8		50	-M2			- SENSE
5		BLK	23	J3-9		51	-N1		18.5"	+ SENSE
		GRN	24	J3-10		52	-N2			- SENSE
5		BLK	25	J3-11		53	-P1		18.0"	+ SENSE
		GRN	26	J3-12		54	-P2			- SENSE
5	18	BLK	27	J3-13	2+3	55	-R1		18.5"	+ SENSE
	TWP	GRN	28	J3-14		56	P1-R2	SOLDER		- SENSE

NOTES:  
 1. USE "TIE WRAPS" (ITEM #8) APPROXIMATELY EVERY THREE INCHES WHEN NECESSARY AND AT EVERY BREAKOUT POINT. 'X' REPRESENTS TIE WRAPS.  
 2. CONNECTORS J2 & J3 ARE TO BE LABELED WITH COMPONENT IDENTIFIERS USING ITEM #12



DETAIL A  
 SCALE: 2/1  
 ROTATED 90°  
 COUNTER CLOCK WISE

DO NOT REDUCE  
 FOR MANUFACTURING PURPOSES ONLY  
 SCALE  
 6 IN

QTY.	DESCRIPTION	PART NO.	ITEM NO.
1	DECAL	A-DC-7409873-1-0	1
1	DECAL	A-DC-7409872-0-0	1
1	JUMPER	90091B5	1
1	LABEL, CABLE, I.D.	9009532	9
10	TIE, CABLE 375LG*09W	9007031	8
2	EYELET	9006741	7
1	CLAMP, CABLE	1222790	6
7 FT	WIRE, #18 AWG TWP, BLK/GRN	9107430-05	5
13 FT	WIRE, #18 AWG TWP, BLK/BLU	9107430-06	4
28	SOCKET, TERMINAL CONTACT	1209379-00	3
2	CONN. HOUSING, 15 SRT	1209350-15	2
1	CABLE TRACK CONN. BOARD M9DS	M9DS	1

FIRST USED ON OPTION/MODEL		SYN	QTY.	DESCRIPTION	PART NO.	ITEM NO.
KL10 PARTS LIST						
DIMENSIONAL TOLERANCE		DRN.	DATE	digital		
UNLESS OTHERWISE SPECIFIED		CHK'D.	DATE			
MILLIMETERS	INCHES	ANGLES	DATE	TITLE		
XXX ±0.10	XXX ±0.008	90° 30'	DATE	HARNES, SENSE		
XX ±0.6	XX ±0.02		DATE	SIZE CODE		
X ±2	X ±0.1		DATE	NUMBER		
THIRD ANGLE PROJECTION	REMOVE BURRS AND BREAK SHARP CORNERS SURFACE QUALITY	NEXT HIGHER ASSY.	DATE	REV.		
MATERIAL	FINISH	SCALE	DATE	DIA 7009546-0-0		
SEE PARTS LIST		1/1	DATE	SHEET 1 OF 1		

REV.	CHANGE NO.

DIA 7009546-0-0

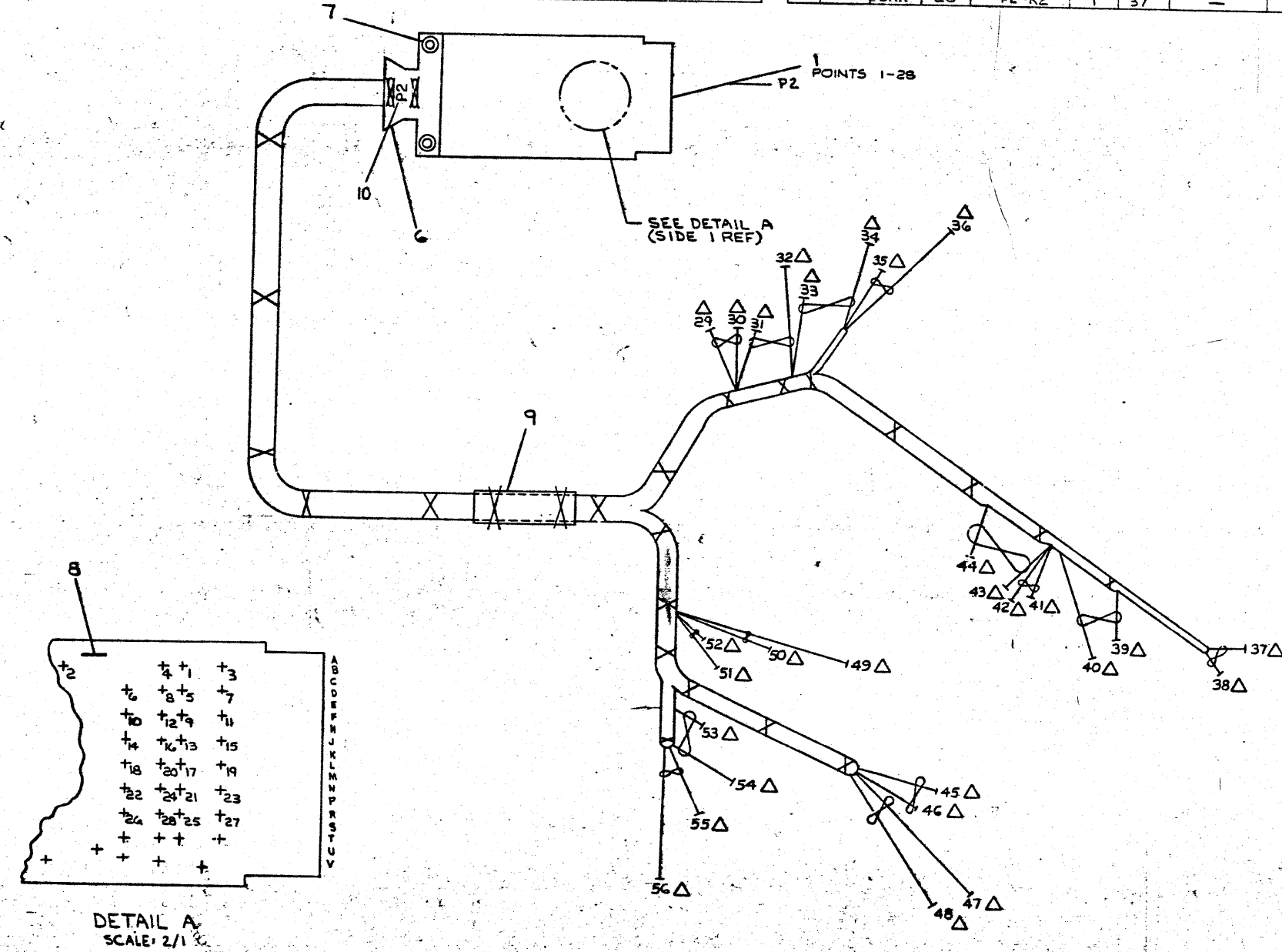


THE DESIGN AND SPECIFICATIONS HEREIN ARE THE PROPERTY OF DIGITAL EQUIPMENT CORPORATION AND SHALL NOT BE REPRODUCED OR COPIED IN WHOLE OR IN PART AS THE BASIS FOR THE MANUFACTURE OR SALE OF ITEMS WITHOUT WRITTEN PERMISSION FROM DIGITAL EQUIPMENT CORPORATION.

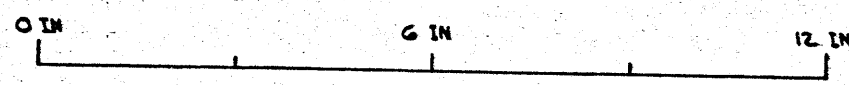
WIRE TABLE										
ITEM NO.	DESCRIPTION	FROM	TO		WIRE LENGTH	FUNCTION				
NO.	AWG	COLOR	POINT	CONNECTION TERM	POINT	CONNECTION TERM				
5	18TWP	BLK	1	P2-A1	55		2	+	-5.2A	
		BLU	2	P2-A2	56		2	-	OPEN SENSE	
5	18TWP	BLK	3	P2-B1	53		2	+	-5.2B	
		BLU	4	P2-B2	54		2	-	OPEN SENSE	
5	18TWP	BLK	5	P2-C1	50		2	+	-5.2C	
		BLU	6	P2-C2	49		2	-	OPEN SENSE	
5	18TWP	BLK	7	P2-D1	52		2	+	-5.2D	
		BLU	8	P2-D2	51		2	-	OPEN SENSE	
5	18TWP	BLK	9	P2-E1	30		2	+	-5.2E	
		BLU	10	P2-E2	29		2	-	OPEN SENSE	
5	18TWP	BLK	11	P2-F1	31		2	+	-5.2F	
		BLU	12	P2-F2	32		2	-	OPEN SENSE	
5	18TWP	BLK	13	P2-H1	33		2	+	-5.2H	
		BLU	14	P2-H2	34		2	-	OPEN SENSE	

WIRE TABLE										
ITEM NO.	DESCRIPTION	FROM	TO		WIRE LENGTH	FUNCTION				
NO.	AWG	COLOR	POINT	CONNECTION TERM	POINT	CONNECTION TERM				
5	18TWP	BLK	15	P2-J1	35		2	+	-5.2J	
		BLU	16	P2-J2	36		2	-	OPEN SENSE	
5	18TWP	BLU	18	P2-K2	46		2	-	-5.2K	
		BLK	17	P2-K1	45		2	+	OPEN SENSE	
5	18TWP	BLK	19	P2-L1	48		2	+	-5.2L	
		BLU	20	P2-L2	47		2	-	OPEN SENSE	
4	18TWP	GRN	24	P2-N2	42		2	-	-2.0C	
		BLK	23	P2-N1	41		2	+	OPEN SENSE	
4	18TWP	BLK	21	P2-M1	43		2	+	-2.0A	
		GRN	22	P2-M2	44		2	-	OPEN SENSE	
4	18TWP	BLK	25	P2-P1	40		2	+	-2.0C	
		GRN	26	P2-P2	39		2	-	OPEN SENSE	
4	18TWP	BLK	27	P2-R1	38		2	+	-2.0D	
		GRN	28	P2-R2	37		2	-	OPEN SENSE	

NOTES:  
 1. USE "TIE WRAPS" (ITEM #3) APPROXIMATELY EVERY THREE INCHES WHEN NECESSARY, AND AT EVERY BREAKOUT POINT. "X" REPRESENTS TIE WRAPS.  
 2. ALL CABLE BREAKOUT WIRES SHALL BE LABELED WITH BRADY MARKERS.



DO NOT REDUCE  
 FOR MANUFACTURING PURPOSES ONLY  
 SCALE



QTY.	DESCRIPTION	PART NO.	ITEM NO.
1	DECAL	A-DC-7098730-C	10
1	LABEL, CABLE, ID	9009532	9
1	JUMPER	9009185	8
2	EYELET	9006741	7
1	CLAMP, CABLE	PC2790-00	6
28FT	WIRE, #18AWG TWP, BLK, BLU	9107430-C6	5
12FT	WIRE, #18AWG TWP, BLK, GRN	9107430-C5	4
25	TIE, CABLE 3.75LGx0.7W	9007031	3
28	CONN, SOLDERLESS	9007190-00	2
1	CABLE TRACK CONN BOARD M935	M935	1

FIRST USED ON OPT. MODEL: KLIØ

SYMBOL: [ ]

QUANTITY: [ ]

DESCRIPTION: [ ]

PART NO.: [ ]

ITEM NO.: [ ]

DATE: [ ]

DESIGNED BY: [ ]

CHECKED BY: [ ]

APPROVED BY: [ ]

TITLE: HARNESS, OPEN SENSE

digital









LINE	ITEM	DOCUMENT NUMBER	PART NUMBER	DESCRIPTION	QUANTITY PER VARIATION			
					A	B	D	E
1	1	E-IA-7411288-0-0	7411288-00	CHASSIS P.S. (KL10)	1	1	1	1
2	2	E-IA-7412256-0-0	7412256-00	PANEL FRONT (863) KL10	1	1	1	1
3	3	D-IA-7411290-0-0	7411290-00	COVER P.C. (KL10)	1	1	1	1
4	4	D-IA-7412187-0-0	7412187-00	SUPPORT, FILTER #1 KL10	1	1	1	1
5	5	C-IA-7412113-0-0	7412113-00	BRKT CONN NO 1 (863) KL10	1	1	1	1
6	6	D-IA-7412118-0-0	7412118-00	BRKT NO CONN KL10 (863)	1	1	1	1
7	7	C-MD-7412122-0-0	7412122-00	PANEL 2-OUTLET KL10 (863)	1	1	1	1
8	8	C-MD-7412082-0-0	7412082-00	PANEL 4 OUTLET KL10 (863)	1	1	1	1
9	9	E-IA-7412278-0-0	7412278-00	PANEL SIDE (863) KL10	1	1	1	1
10	10	C-MD-7412280-0-0	7412280-00	BRKT NO 3 CONN KL10 (863)	1	1	1	1
11	11		1211191-00	CONN, POWER 3PIN RCPT NEMA L6-20	-	1	-	-
12	12	C-AD-7009632-0-0	7009632-00	LOGIC 863 A	1	1	1	1
13	13		5411159-00	BOARD RESISTOR (863)	1	1	1	1
14	14		5411157-00	INDICATOR LED	1	1	1	1
15	15		1211493-00	FILTER LINE 120/240 75AMP	1	1	1	1
16	16		1711496-00	*** THIS ITEM IS NOT USED ***	-	-	-	-
17	17		1210191-06	*** THIS ITEM IS NOT USED ***	-	-	-	-
18	18		1205351-00	CONN, POWER 3PIN RCPT NEMA 5-15R	6	-	6	-
19	19		1211746-01	CONTACTOR, 40A, 4P, 600V,	2	2	2	2
20	20		1211537-00	CONN, RCPT 7PIN	1	1	1	1
21	21		1611490-00	XFMRA P=BT S= 36.2V 0.52A UL	1	1	1	1
22	22		1611546-00	XFMRA P=AB S=48CT @250MA + #4960	1	1	1	1
23	23		1010184-00	30,000 MFD 25V +75-10% AL EL	1	1	1	1
24	24		1010510-00	6000 MFD 50V +75-10% AL EL	2	2	2	2
25	25		5410206-00	CONTROL PILOT	1	1	1	1
26	26		9107765-22	WIRE, STRNO, 8AWG IPVC UL1431	A/R	A/R	A/R	A/R
27	27		0W516-00	3 PHASE LOW VOLTAGE DETECTOR	1	1	-	-
28	28		W7000-00	AUX POW SUPPLY-KL10	1	1	1	1
29	29		G8015-00	POWER CTRL LOGIC KL10	1	1	1	1
30	30		G8017-00	863 INDICATOR DRIVER	1	1	1	1

REVISION HISTORY			BASIC PART NO: 00863		DRN: K. GAMACHE		DATE: 4-FEB-75		DIGITAL			
ENG	ECO NUMBER	REV	SECTION A OF A	CHK'D:	D. SIREN	DATE:	4-FEB-75	TITLE PARTS LIST				
JD	863-MR010	K	SECTION. VARIATION INDEX	CA] A, B, D, E				POWER CONTROLLER				
			[B]		DES. ENG.: J. DREW	DATE:	4-FEB-75	DOCUMENT NUMBER				
			[C]					SIZE	CODE	NUMBER	REV	
			[D]		RESP. ENG.: J. DREW	DATE:	4-FEB-75	K	PL	863-0-DBP	K	
			[E]		MPG. ENG.: B. OBRIEN	DATE:	6-FEB-75	FILE NAME: Z2464K.PLS				
			[F]		ASSEMBLY NUMBER:	TOP DOCUMENT NUMBER:		EDIT #				
					E-UA-863-0-0	#B-DD-853-0		5				

"THIS DRAWING AND SPECIFICATIONS HEREIN, ARE THE PROPERTY OF DIGITAL EQUIPMENT CORPORATION AND SHALL NOT BE REPRODUCED OR COPIED OR USED IN WHOLE OR IN PART AS THE BASIS FOR THE MANUFACTURE OR SALE OF ITEMS WITHOUT WRITTEN PERMISSION. COPYRIGHT (C) 1982. DIGITAL EQUIPMENT CORPORATION"

LINE	ITEM	DOCUMENT NUMBER	PART NUMBER	DESCRIPTION	QUANTITY PER VARIATION			
					A	B	D	E
31	31		1209351-09	MATE-N-LOK 9POS COMM HSG,PIN	1	1	1	1
32	32		1209351-04	MATE-N-LOK 4POS COMM HSG,SKT	2	2	2	2
33	33		9107390-66	WIRE,STRND,10AWG,IPVC UL3317	A/R	A/R	A/R	A/R
34	34		9107390-00	WIRE,STRND,10AWG,IPVC UL3317	A/R	A/R	A/R	A/R
35	35		9107390-99	WIRE,STRND,10AWG,IPVC UL3317	A/R	A/R	A/R	A/R
36	36		9107390-22	WIRE,STRND,10AWG,IPVC UL3317	A/R	A/R	A/R	A/R
37	37		1210012-01	HT SINK W/HOLES 1.81X1.81	1	1	1	1
38	38		1503399-00	DEC3790-2 PNP 150WC SI 30 30 M	1	1	1	1
39	39		1211263-00	LAMP,PWR ON INDICATOR,RED W/25K	3	3	3	3
40	40		1209378-00	MATE-N-LOK PIN COMM 20-14AWG STR	12	10	12	10
41	41		9107779-54	WIRE,STRND,10AWG,IPVC UL3317	A/R	A/R	A/R	A/R
42	42		1209120-00	RLY,G.P.,115V COIL,DPDT,10A	1	1	1	1
43	43		1201220-00	SKT,TUBE 8PIN	1	1	1	1
44	44		9107765-66	WIRE,STRND, 8AWG IPVC UL1431	A/R	A/R	A/R	A/R
45	45		1211541-00	CONN, SKT 8-10 AWG	5	5	5	5
46	46		1210430-00	BRACKET,CAPACITOR,2"	3	3	3	3
47	47		9107765-00	WIRE,STRND, 8AWG IPVC UL1431	A/R	A/R	A/R	A/R
48	48		9006073-01	SCREW,PAN,PHIL 10-32X 1/2 SS	10	10	10	10
49	49		9006070-01	SCREW,PAN,PHIL 10-32X 5/16 SS	4	4	4	4
50	50		9006025-01	SCREW,PAN,PHIL 6-32X 5/8 SS	3	3	3	3
51	51		9006037-01	SCREW,PAN,PHIL 8-32X 3/8 SS	16	16	16	16
52	52		9006024-01	SCREW,PAN,PHIL 6-32X 1/2 SS	6	6	6	6
53	53		9006022-01	SCREW,PAN,PHIL 6-32X 3/8 SS	8	8	8	8
54	54		9006021-01	SCREW,PAN,PHIL 6-32X 5/16 SS	20	20	20	20
55	55		9006565-00	NUT,KEP 10-32X 3/8 AF	11	11	11	11
56	56		9006560-00	NUT,KEP 6-32X 5/16AF	27	27	27	27
57	57		9006635-00	WASHER,LOCK,INT,.3100D X .200ID	14	14	14	14
58	58		9006634-00	WASHER,LOCK,INT,.2300D X .172ID	16	16	16	16
59	59		9006633-00	WASHER,LOCK,INT,.2800D X .146ID	66	66	66	66
60	60		9008196-00	RECP. CLIP ON F/1/4 TURN FASTNR	4	4	4	4
61	61		9007786-00	RETAINER, U-NUT, 10-32	14	14	14	14
62	62		1210130-00	SKT,XSTR 2PIN TD-3	1	1	1	1
63	63		9009637-00	TERM,RING 1/4STUD CRIMP 16-2	3	3	3	3
64	64		9107765-99	WIRE,STRND, 8AWG IPVC UL1431	A/R	A/R	A/R	A/R
65	65		9006036-01	SCREW,PAN,PHIL 8-32X 5/16 SS	14	14	14	14
66	66		9006020-01	SCREW,PAN,PHIL 6-32X 1/4 SS	36	36	36	36
67	67		9007930-00	TERM,RING #10STUD CRIMP 16-2	5	5	5	5
68	68		9008318-00	*** THIS ITEM IS NOT USED ***	-	-	-	-
69	69		1212124-00	CKT BKR 30.0 A 240V 2P SERIES TR	1	1	-	-
70	70		9007044-00	GROMMET #4 GS-4	A/R	A/R	A/R	A/R
71	71		1211194-00	CONN,POWER 3PIN RCPT NEMA L5-30	1	-	-	-
72	72		1000034-00	.10 MFD 1000VDC +20-105 P/OIL	4	4	4	4
73	73	C-IA-7413005-0-0	7413005-00	PLATE OUTLET 30 AMP	1	1	1	1
74	74	C-IA-7010455-0-0	7010455-00	HOUSING,CONN ASSY [KL10] 863	1	1	1	1
75	75	D-IA-7010734-0-0	7010734-00	HARNESS DC NO 5 [863]	1	1	1	1
76	76	E-IA-7010585-0-0	7010585-00	HARNESS DC 2 [863]	1	1	-	-
77	77	E-IA-7010586-0-0	7010586-00	HARNESS DC NO.1 KL10	1	1	1	1
78	78	D-IA-7010731-0-0	7010731-00	HARNESS CAPACITOR KL10	1	1	1	1

D	I	G	I	T	A	L	TITLE	SECTION A	OF A	SIZE	CODE	DOCUMENT NUMBER	REV
							POWER CONTROLLER					863-0-DBP	K



LINE	ITEM	DOCUMENT NUMBER	PART NUMBER	DESCRIPTION	QUANTITY PER VARIATION			
					A	B	D	3
79	79	D-IA-7010733-0-0	7010733-00	HARNESS FAULT INDICATOR KL10	1	1	1	1
80	80	E-IA-7010587-0-0	7010587-00	HARNESS DC 3 [863]	1	1	1	1
81	81	E-IA-7010588-0-0	7010588-00	HARNESS AC TRANSFORMER [863]	1	1	1	1
82	82	D-IA-7010732-0-0	7010732-00	HARNESS CAPACITOR KL10	1	1	1	1
83	83		1211515-00	TERM,RING 1/4STUD CRIMP	16	16	16	16
84	84		9107440-09	WIRE,STRND,14AWG,IPVC UL3317	A/R	A/R	A/R	A/R
85	85		9007969-00	TERM,QUICK .300TAB CRIMP 14-1	7	7	4	4
86	86		9009696-00	TERM,RING 1/4STUD CRIMP 10-1	10	10	12	12
87	87		9007926-01	TERM,RING #10STUD CRIMP 10-1	7	7	5	5
88	88		9107360-44	WIRE,STRND,18AWG,IPVC UL1429	A/R	A/R	A/R	A/R
89	89		9107360-00	WIRE,STRND,18AWG,IPVC UL1429	A/R	A/R	A/R	A/R
90	90		9107764-00	WIRE,STRND, 2AWG IPVC UL1431	A/R	A/R	A/R	A/R
91	91		1212086-00	TERM,RING 1/3STUD FLAGP	8	8	8	8
92	92		9006563-00	NUT,KEP 8-32X 11/13AF	20	20	20	20
93	93		9107764-99	WIRE,STRND, 2AWG IPVC UL1431	A/R	A/R	A/R	A/R
94	94		1209379-00	MATE-N-LOK SKT COMM 20-14AWG STR	32	32	32	32
95	95		9107360-66	WIRE,STRND,18AWG,IPVC UL1429	A/R	A/R	A/R	A/R
96	96		1209350-09	MATE-N-LOK 9POS COMM HSG,SKT	3	3	3	3
97	97		1209350-04	MATE-N-LOK 4POS HSG,SKT	3	3	3	3
98	98		1212167-01	MATE-N-LOK 4POS UNIV HSG,SKT	1	-	1	-
99	99		1211204-00	CONN,POWER 3PIN RCPT NEMA 6-15R	-	6	-	6
100	100		9006034-01	*** THIS ITEM IS NOT USED ***	-	-	-	-
101	101		9007970-00	TERM,QUICK .300TAB CRIMP 18-2	4	4	4	4
102	102		9007853-01	SCREW,PAN,PHIL 6-32X1-1/8 SS	2	2	2	2
103	103		9006707-00	*** THIS ITEM IS NOT USED ***	-	-	-	-
104	104		9009255-00	LABEL, POWER SUPPLY, 2-15/16 " L	1	1	1	1
105	105		9008268-00	COMPOUND, THERMAL JOINT	A/R	A/R	A/R	A/R
106	106		1212170-00	MATE-N-LOK SKT UNIV 20-14AWG REE	4	-	4	-
107	107	B-DC-7413472-0-0	7413472-00	DECAL 863	1	1	1	1
108	108		9007594-00	ADHESIVE,NEOPRENE	A/R	A/R	A/R	A/R
109	109		9008203-00	NUT,KEP 1/4-20X 7/16AF	3	3	3	3
110	110		9006712-00	WASHER, NYLON, FLAT #10 .375 OD	2	2	2	2
111	111		9107370-99	WIRE,STRND,14AWG,IPVC UL1534	A/R	A/R	A/R	A/R
112	112		9007880-00	TIE,CABLE BUNDL DIA 0-1.14"=101	15	15	15	15
113	113		9008151-00	WASHER, LOCK, EXT. TOOTH #8	21	21	21	21
114	114		9006660-00	WASHER, FLAT, .375 O.D. X .187 I	11	11	11	11
115	115		9006653-00	WASHER, FLAT, .375 O.D. X .156 I	6	6	6	6
116	116		9107305-02	TUBING,SHRINK 3/16DIA.EXP UL	5	5	5	5
117	117		9007036-00	GROMMET #122-37-2500	A/R	A/R	A/R	A/R
118	118		1300155-00	*** THIS ITEM IS NOT USED ***	-	-	-	-
119	119		1301322-00	*** THIS ITEM IS NOT USED ***	-	-	-	-
120	120		9007655-00	*** THIS ITEM IS NOT USED ***	-	-	-	-
121	121		9107256-10	*** THIS ITEM IS NOT USED ***	-	-	-	-
122	122		1212315-00	CONN,POWER 5PIN RCPT NEMA L21-3	-	-	1	-
123	123		1211259-00	CONN,POWER 4PIN RCPT 240V 20A	-	-	-	1
124	124		7414606-00	*** THIS ITEM IS NOT USED ***	-	-	-	-
125	125		9107440-29	WIRE,STRND,14AWG,IPVC UL3317	-	-	A/R	A/R
126	126		9007920-00	*** THIS ITEM IS NOT USED ***	-	-	-	-

DI	IG	IT	AIL	TITLE	SECTION A OF A	SIZE	CODE	DOCUMENT NUMBER	REV
				POWER CONTROLLER		K	PL	863-0-DBP	K

LINE ITEM	DOCUMENT NUMBER	PART NUMBER	DESCRIPTION	QUANTITY PER VARIATION			
				A	B	D	E
127	127	9007652-00	TERM,RING 1/4STUD CRIMP 14-1	1	1	1	1
128	128	9007651-00	WASHER, LOCK, EXTERNAL TOOTH #10	28	28	28	28
129	129	9007624-00	INSERT, FLUSH, SELF CLINCHING, 6	1	1	1	1
130	130	3610267-00	DECAL, ADHESIVE BACK -DANGER HIG	1	1	1	1
131	131	A-DC-7417419-0-0	7417419-00	1	1	1	1
132	132	A-DC-7417418-0-0	7417418-00	2	2	2	2
133	133	9007928-00	TERM,RING #10STUD CRIMP 14-1	10	10	14	14
134	134	9107777-54	WIRE,STRND,14AWG,IPVC UL3317 GR	A/R	A/R	A/R	A/R
135	135	9006822-00	SPACER, HEX, ALUM, .194 ID X .5	8	8	8	8
136	136	9006035-03	SCREW,TRUS,PHIL, 8-32X 1/4	2	2	2	2
137	137	9006077-03	SCREW,TRUS,PHIL, 10-32X 1	8	8	8	8
138	138	E-IA-7010585-0-0	7010585-01	-	-	1	1
139	139	SEE NOTE 1	*** THIS ITEM IS NOT USED ***	-	-	-	-
140	140	0W516-YA	W516 W 95V THRESHOLD	-	-	1	1
141	141	A-DC-7417750-0-0	7417750-00	1	1	1	1
142	142	A-DC-7417749-0-0	7417749-00	3	3	3	3
143	143	9007211-00	FUSE,REG BLD 1 A,250V GLASS	3	3	3	3
144	144	C-MD-7417612-0-0	7417612-00	1	1	1	1
145	145	9007242-00	FUSE HOLDER, 20A, 250V, PNL MNT,	3	3	3	3
146	146	1212124-04	CKT BKR 15.0 A 240V 2P SERIES TR	8	8	9	9
147	147	1211496-01	CKT BKR 60.0 A 240V 4P	1	1	1	1
148	148	A-DC-3614404-0-0	3614404-00	1	-	1	-
149	149	9006851-00	SPACER,HEX,THD'D,ALUM 6-32X 1	2	2	2	2
150	150	1213071-02	INSULATOR,RUBBER SILICONE SM	1	1	1	1

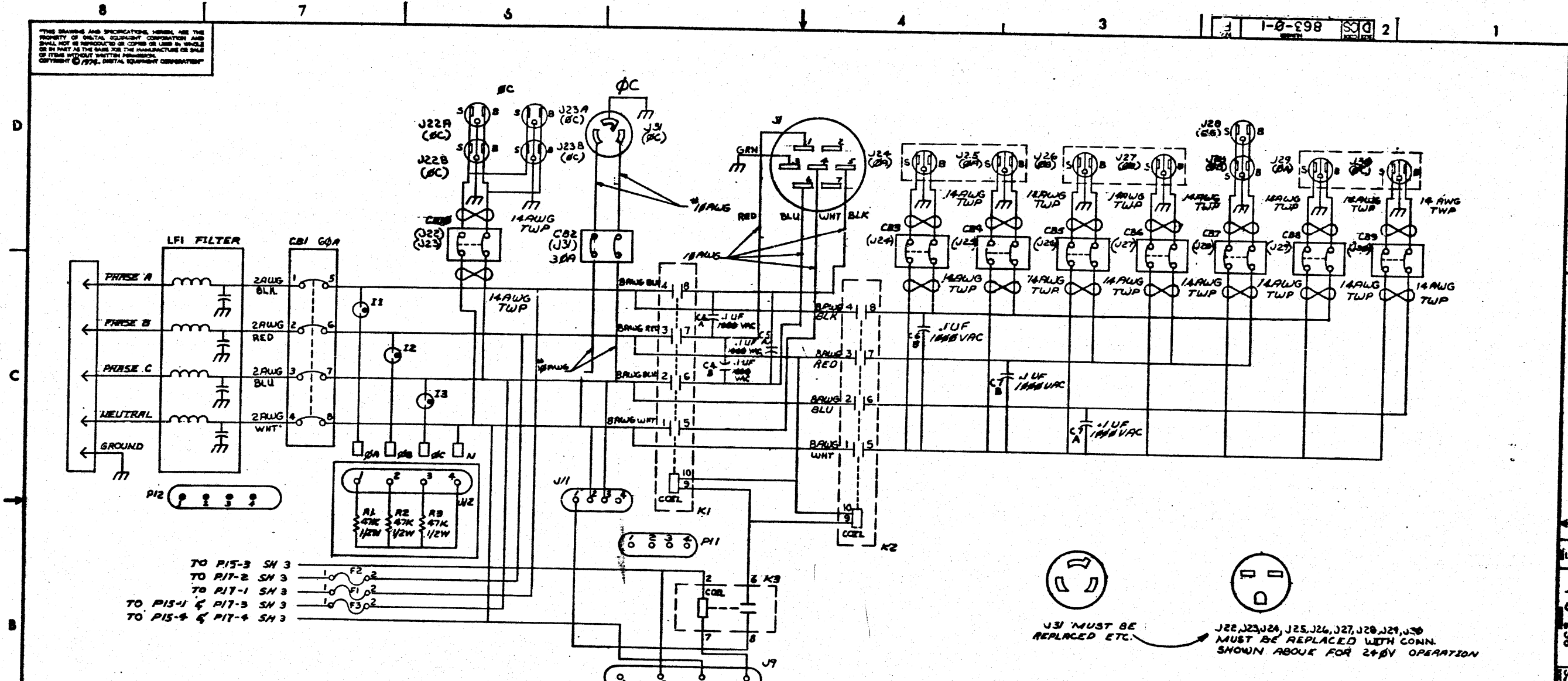
151 NOTE: 1 QUANTITIES IN ITEM #139 WERE COMBINED WITH ITEM #128 TO PREVENT DUPLICATE PART NUMBERS.

D	I	G	I	T	A	L	TITLE	SECTION A OF A	SIZE	CODE	DOCUMENT NUMBER	REV
							POWER CONTROLLER		K	PL	863-0-DBP	K



THE DRAWING AND SPECIFICATIONS HEREIN ARE THE PROPERTY OF DIGITAL EQUIPMENT CORPORATION AND SHALL NOT BE REPRODUCED OR COPIED OR USED IN WHOLE OR IN PART AS THE BASIS FOR THE MANUFACTURE OR SALE OF ITEMS WITHOUT WRITTEN PERMISSION OF DIGITAL EQUIPMENT CORPORATION.

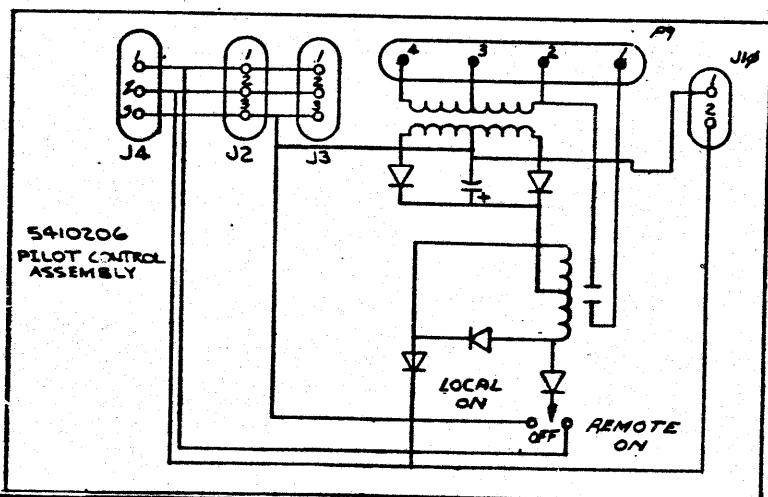
1-0-898 863-D-1



TO P15-3 SH 3  
 TO P17-2 SH 3  
 TO P17-1 SH 3  
 TO P15-4 & P17-3 SH 3  
 TO P15-4 & P17-4 SH 3

**NOTE:**  
 FOR 120V OPERATION JUMPER P12-1-7  
 P12-2 TO P12-3 TO P12-4 J11-1 TO J11-3  
 FOR 240V OPERATION JUMPER J11-1 TO J11-2  
 REMOVE JUMPER ON PI2 CHANGE DUPLEX  
 OUTLET PANEL TO 240V PANEL.  
 ALL WIRING IS 18AWG UNLESS NOTED

J31 MUST BE REPLACED ETC.  
 J22, J23, J24, J25, J26, J27, J28, J29, J30 MUST BE REPLACED WITH CONN. SHOWN ABOVE FOR 240V OPERATION



REFER TO THIS SHEET FOR 863 A1B VERSIONS.  
 SEE SHEET 2 FOR 863 D1E VERSIONS.

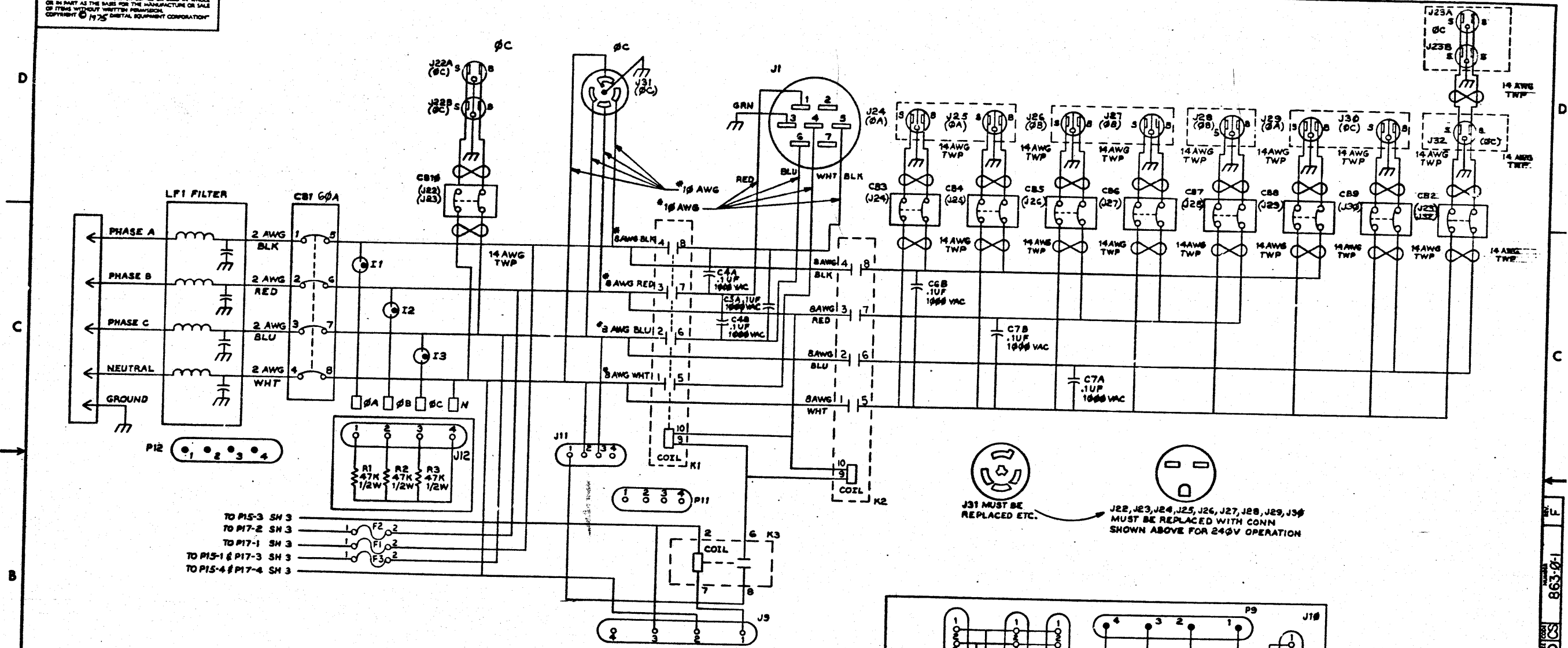
REV.	DATE	BY	CHK	CHANGE NO.
1	10/1/77	J. MELANSON		863-00007
2	10/1/77	J. MELANSON		863-00008
3	10/1/77	J. MELANSON		863-00009
4	10/1/77	J. MELANSON		863-00010
5	10/1/77	J. MELANSON		863-00011
6	10/1/77	J. MELANSON		863-00012
7	10/1/77	J. MELANSON		863-00013
8	10/1/77	J. MELANSON		863-00014
9	10/1/77	J. MELANSON		863-00015
10	10/1/77	J. MELANSON		863-00016
11	10/1/77	J. MELANSON		863-00017
12	10/1/77	J. MELANSON		863-00018
13	10/1/77	J. MELANSON		863-00019
14	10/1/77	J. MELANSON		863-00020
15	10/1/77	J. MELANSON		863-00021
16	10/1/77	J. MELANSON		863-00022
17	10/1/77	J. MELANSON		863-00023
18	10/1/77	J. MELANSON		863-00024
19	10/1/77	J. MELANSON		863-00025
20	10/1/77	J. MELANSON		863-00026
21	10/1/77	J. MELANSON		863-00027
22	10/1/77	J. MELANSON		863-00028
23	10/1/77	J. MELANSON		863-00029
24	10/1/77	J. MELANSON		863-00030
25	10/1/77	J. MELANSON		863-00031
26	10/1/77	J. MELANSON		863-00032
27	10/1/77	J. MELANSON		863-00033
28	10/1/77	J. MELANSON		863-00034
29	10/1/77	J. MELANSON		863-00035
30	10/1/77	J. MELANSON		863-00036
31	10/1/77	J. MELANSON		863-00037
32	10/1/77	J. MELANSON		863-00038
33	10/1/77	J. MELANSON		863-00039
34	10/1/77	J. MELANSON		863-00040
35	10/1/77	J. MELANSON		863-00041
36	10/1/77	J. MELANSON		863-00042
37	10/1/77	J. MELANSON		863-00043
38	10/1/77	J. MELANSON		863-00044
39	10/1/77	J. MELANSON		863-00045
40	10/1/77	J. MELANSON		863-00046
41	10/1/77	J. MELANSON		863-00047
42	10/1/77	J. MELANSON		863-00048
43	10/1/77	J. MELANSON		863-00049
44	10/1/77	J. MELANSON		863-00050
45	10/1/77	J. MELANSON		863-00051
46	10/1/77	J. MELANSON		863-00052
47	10/1/77	J. MELANSON		863-00053
48	10/1/77	J. MELANSON		863-00054
49	10/1/77	J. MELANSON		863-00055
50	10/1/77	J. MELANSON		863-00056
51	10/1/77	J. MELANSON		863-00057
52	10/1/77	J. MELANSON		863-00058
53	10/1/77	J. MELANSON		863-00059
54	10/1/77	J. MELANSON		863-00060
55	10/1/77	J. MELANSON		863-00061
56	10/1/77	J. MELANSON		863-00062
57	10/1/77	J. MELANSON		863-00063
58	10/1/77	J. MELANSON		863-00064
59	10/1/77	J. MELANSON		863-00065
60	10/1/77	J. MELANSON		863-00066
61	10/1/77	J. MELANSON		863-00067
62	10/1/77	J. MELANSON		863-00068
63	10/1/77	J. MELANSON		863-00069
64	10/1/77	J. MELANSON		863-00070
65	10/1/77	J. MELANSON		863-00071
66	10/1/77	J. MELANSON		863-00072
67	10/1/77	J. MELANSON		863-00073
68	10/1/77	J. MELANSON		863-00074
69	10/1/77	J. MELANSON		863-00075
70	10/1/77	J. MELANSON		863-00076
71	10/1/77	J. MELANSON		863-00077
72	10/1/77	J. MELANSON		863-00078
73	10/1/77	J. MELANSON		863-00079
74	10/1/77	J. MELANSON		863-00080
75	10/1/77	J. MELANSON		863-00081
76	10/1/77	J. MELANSON		863-00082
77	10/1/77	J. MELANSON		863-00083
78	10/1/77	J. MELANSON		863-00084
79	10/1/77	J. MELANSON		863-00085
80	10/1/77	J. MELANSON		863-00086
81	10/1/77	J. MELANSON		863-00087
82	10/1/77	J. MELANSON		863-00088
83	10/1/77	J. MELANSON		863-00089
84	10/1/77	J. MELANSON		863-00090
85	10/1/77	J. MELANSON		863-00091
86	10/1/77	J. MELANSON		863-00092
87	10/1/77	J. MELANSON		863-00093
88	10/1/77	J. MELANSON		863-00094
89	10/1/77	J. MELANSON		863-00095
90	10/1/77	J. MELANSON		863-00096
91	10/1/77	J. MELANSON		863-00097
92	10/1/77	J. MELANSON		863-00098
93	10/1/77	J. MELANSON		863-00099
94	10/1/77	J. MELANSON		863-00100

FIRST USED ON OPTION/MODEL	QTY.	DESCRIPTION	PART NO.	ITEM NO.
KL10				
DIMENSIONAL TOLERANCE				
DIMENSIONS ARE IN MILLIMETERS UNLESS OTHERWISE SPECIFIED				
MILLIMETERS	INCHES	ANGLES	TITLE	
±0.10	±0.004	±0.05	863 POWER CONTROL	
±0.25	±0.010	±0.13	REV. F	
±0.50	±0.020	±0.25	NUMBER 863-0-1	
THIRD ANGLE PROJECTION	REMOVE BURRS AND BREAK SHARP CORNERS SURFACE QUALITY	NEXT HIGHER ASSEMBLY	SCALE	SHEET 1 OF 5
MATERIAL	FINISH	DATE	DATE	DATE
		10/1/77	10/1/77	10/1/77

DES 863-0-1 F

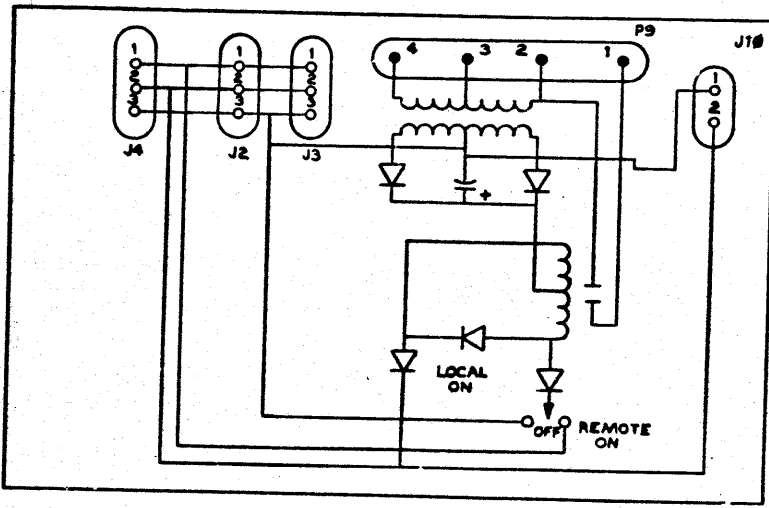
THIS DRAWING AND SPECIFICATIONS HEREIN ARE THE PROPERTY OF DIGITAL EQUIPMENT CORPORATION AND SHALL NOT BE REPRODUCED OR COPIED OR USED IN WHOLE OR IN PART AS THE BASIS FOR THE MANUFACTURE OR SALE OF ITEMS WITHOUT WRITTEN PERMISSION. COPYRIGHT © 1975 DIGITAL EQUIPMENT CORPORATION

863-01 2



J31 MUST BE REPLACED ETC.  
 J22, J23, J24, J25, J26, J27, J28, J29, J30 MUST BE REPLACED WITH CONN SHOWN ABOVE FOR 240V OPERATION

**NOTE:**  
 FOR 120V OPERATION JUMPER P12-170  
 P12-2 TO P12-3 TO P12-4, J11-1 TO J11-3  
 FOR 240V OPERATION JUMPER J11-1 TO J11-2  
 REMOVE JUMPER ON P12 CHANGE DUPLEX  
 OUTLET PANEL TO 240V PANEL.  
 ALL WIRING IS 18AWG UNLESS NOTED



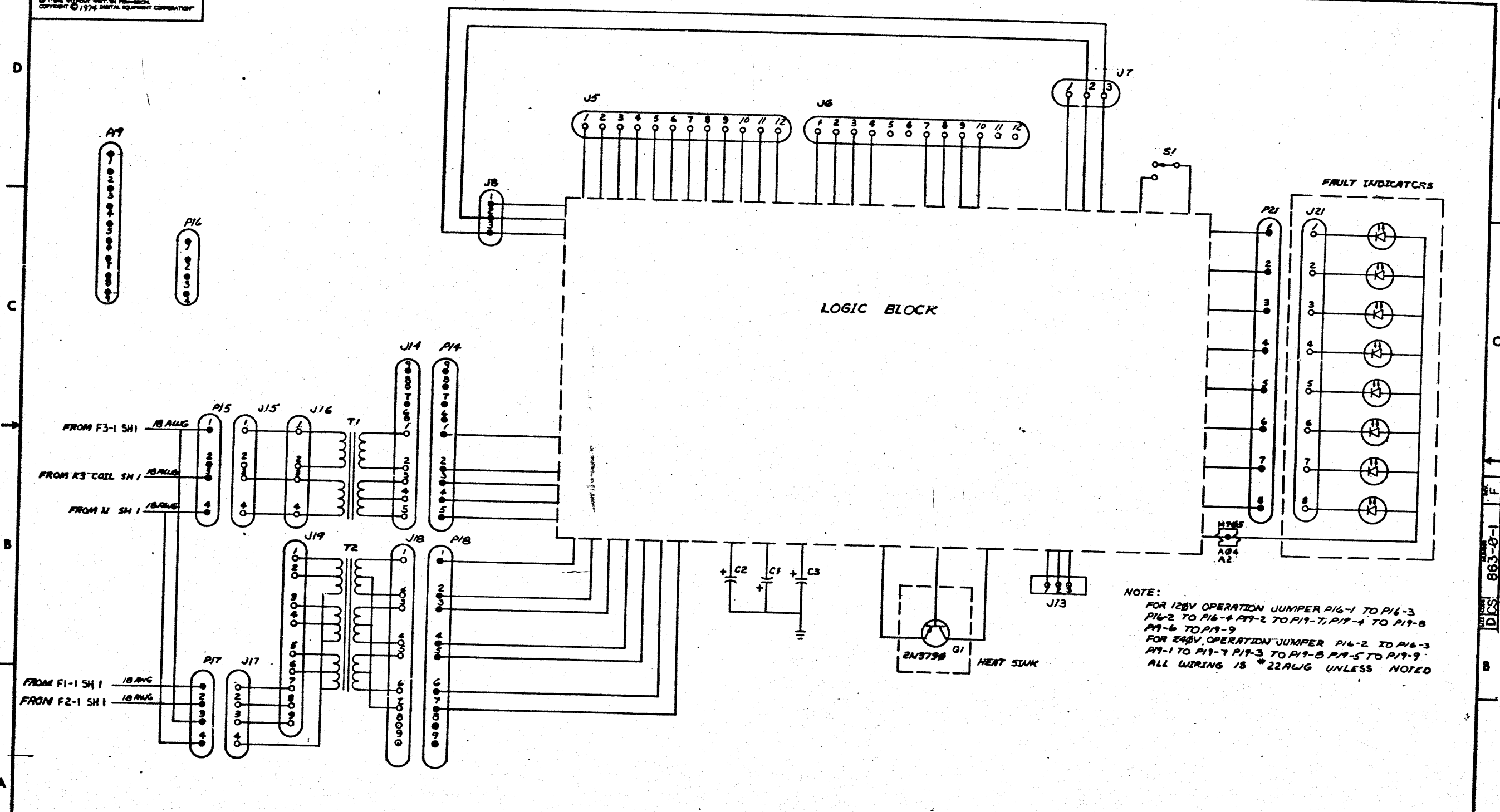
THIS SHEET REFERS TO THE D&E VERSIONS. SEE SHEET #1 FOR THE A&B VERSIONS.

REVISIONS		
CHK	CHANGE NO.	REV.

TITLE 863 POWER CONTROL  
 SIZE CODE D CS  
 NUMBER 863-01  
 REV. F  
 SHEET 2 OF 5

THE DRAWING AND SPECIFICATIONS HEREIN ARE THE PROPERTY OF DIGITAL EQUIPMENT CORPORATION AND SHALL NOT BE REPRODUCED OR COPIED OR USED IN WHOLE OR IN PART AS THE BASIS FOR THE MANUFACTURE OR SALE OF ITEMS WITHOUT WRITTEN PERMISSION. COPYRIGHT © 1974 DIGITAL EQUIPMENT CORPORATION

1-0-898 DCS 2



NOTE:  
 FOR 120V OPERATION JUMPER P16-1 TO P16-3  
 P16-2 TO P16-4 P17-2 TO P17-7, P17-4 TO P17-8  
 P17-6 TO P17-9  
 FOR 240V OPERATION JUMPER P16-2 TO P16-3  
 P17-1 TO P17-7 P17-3 TO P17-8 P17-5 TO P17-9  
 ALL WIRING IS #22AWG UNLESS NOTED

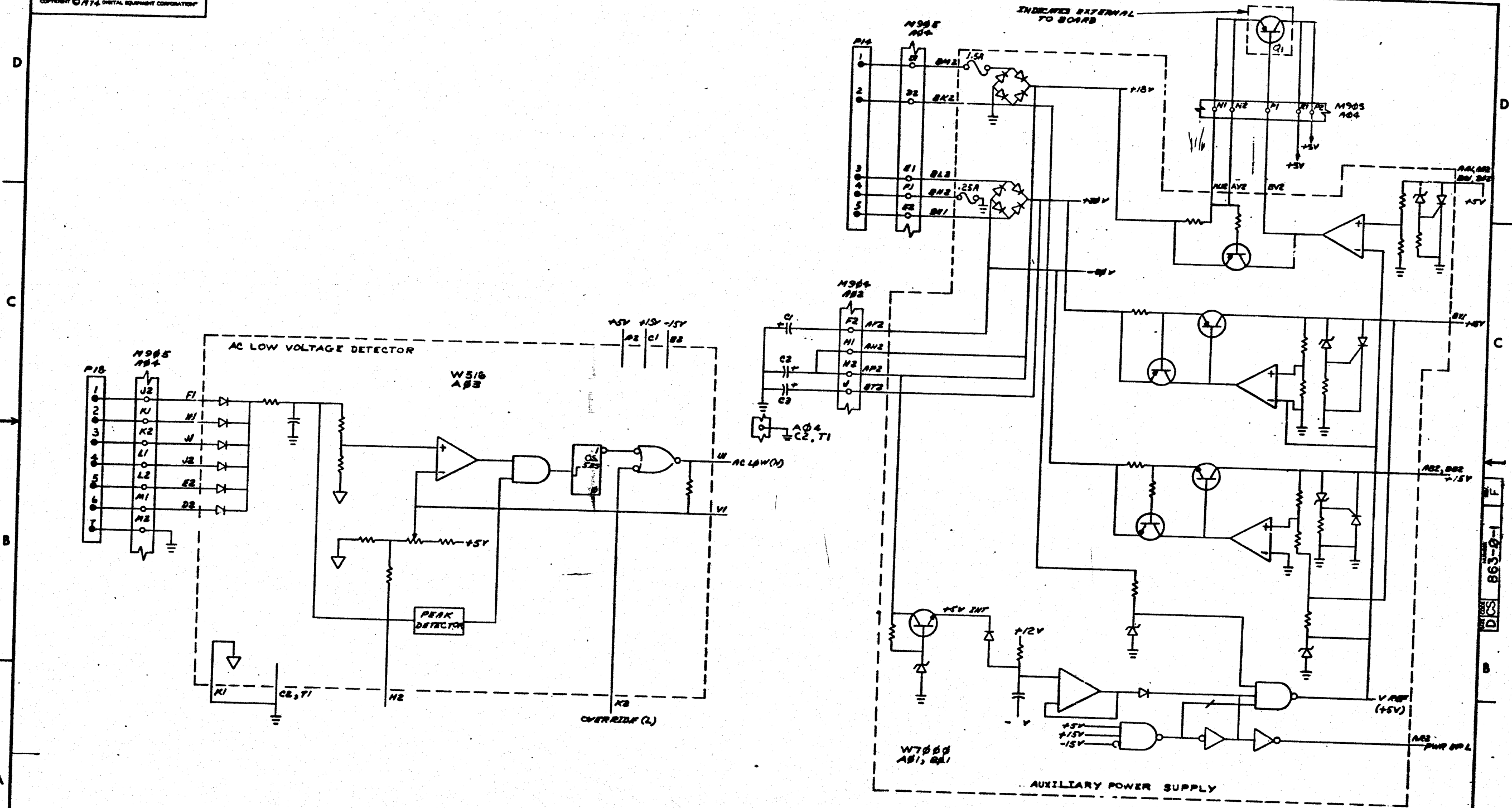
REVISIONS		
CHK	CHANGE NO.	REV.

TITLE: 863 POWER CONTROL  
 SCALE: SHEET 3 OF 5  
 SIZE CODE: DCS  
 NUMBER: 863-0-1  
 REV. F

DCS 863-0-1 F

THIS DRAWING AND SPECIFICATIONS HEREIN ARE THE PROPERTY OF DIGITAL EQUIPMENT CORPORATION AND SHALL NOT BE REPRODUCED OR COPIED OR USED IN WHOLE OR IN PART AS THE BASIS FOR THE MANUFACTURE OR SALE OF ITEMS WITHOUT WRITTEN PERMISSION. COPYRIGHT © 1974, DIGITAL EQUIPMENT CORPORATION

1-8-898 DCS 2

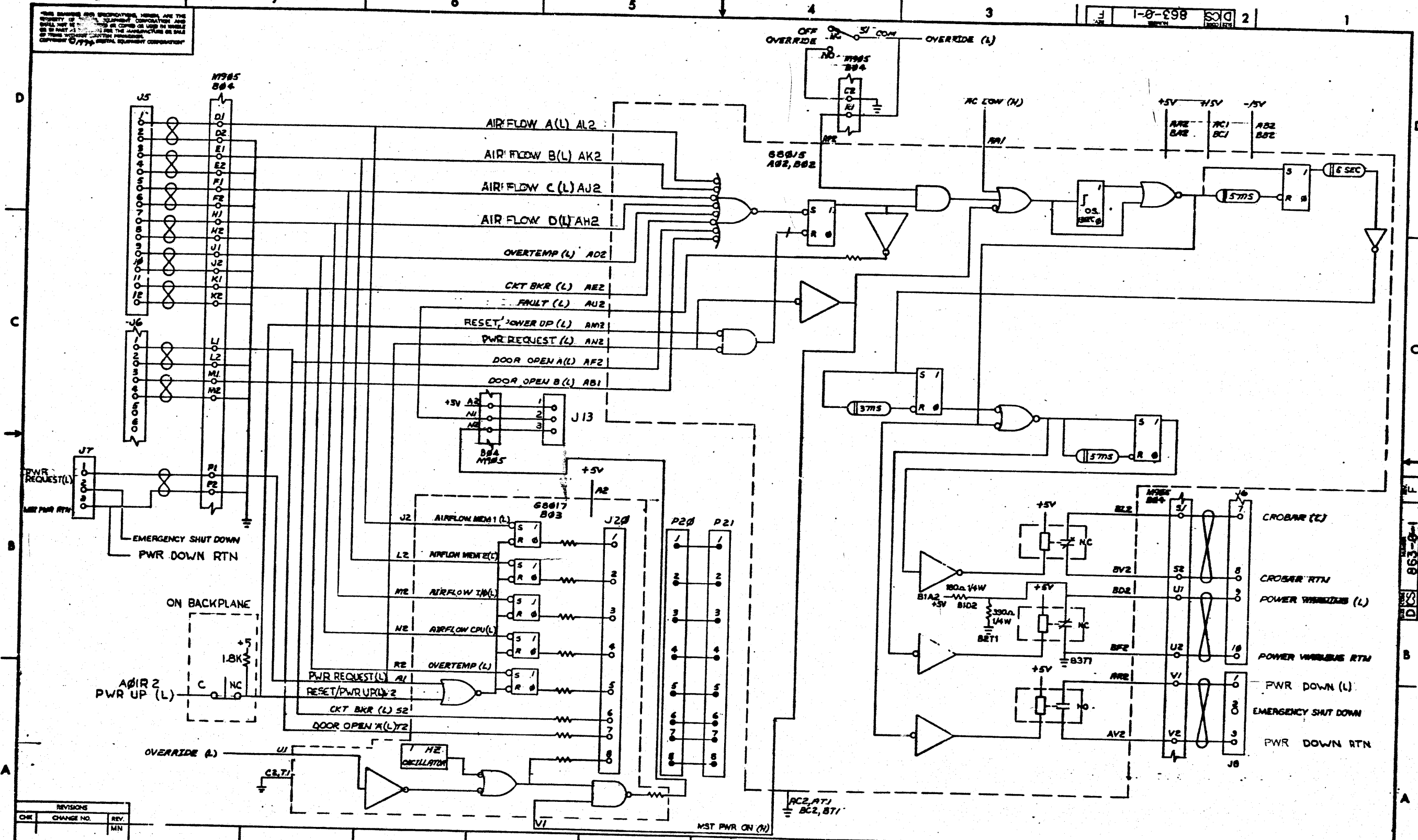


REVISIONS		
CHK	CHANGE NO.	REV.

TITLE 863 POWER CONTROL  
 SCALE 1/16" = 1"  
 SHEET 4 OF 5  
 NUMBER DCS 863-0-1  
 REV. F

THIS DRAWING AND SPECIFICATIONS HEREIN ARE THE PROPERTY OF THE UNITED STATES GOVERNMENT AND SHALL NOT BE REPRODUCED OR COPIED OR USED IN WHOLE OR IN PART FOR ANY PURPOSES WITHOUT THE WRITTEN PERMISSION OF THE MANUFACTURER OR SOLE SOURCE THEREOF. THE MANUFACTURER OR SOLE SOURCE OF THIS DRAWING IS THE MANUFACTURER OR SOLE SOURCE OF THE EQUIPMENT DESCRIBED HEREIN.

1-0-898 DCS 2

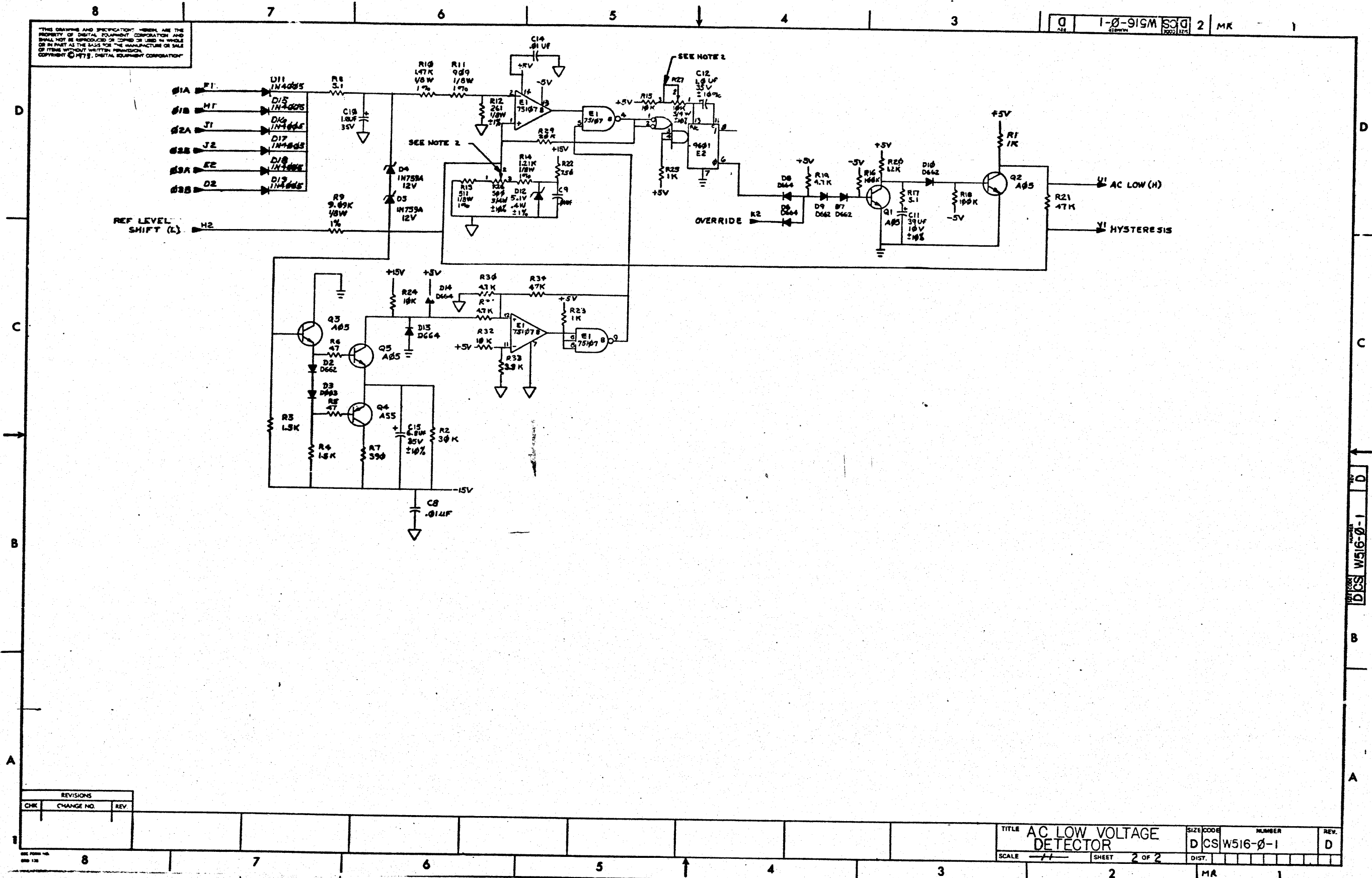


TITLE: 863 POWER CONTROL  
 SCALE: 1:1  
 SHEET: 2 OF 5  
 DCS 863-0-1  
 REV. F



THIS DRAWING AND SPECIFICATION HEREIN ARE THE PROPERTY OF DIGITAL EQUIPMENT CORPORATION AND SHALL NOT BE REPRODUCED OR COPIED IN WHOLE OR IN PART AS THE BASIS FOR THE MANUFACTURE OR SALE OF ITEMS WITHOUT WRITTEN PERMISSION. COPYRIGHT © 1973, DIGITAL EQUIPMENT CORPORATION.

1-0-919M 500 2 MK 1



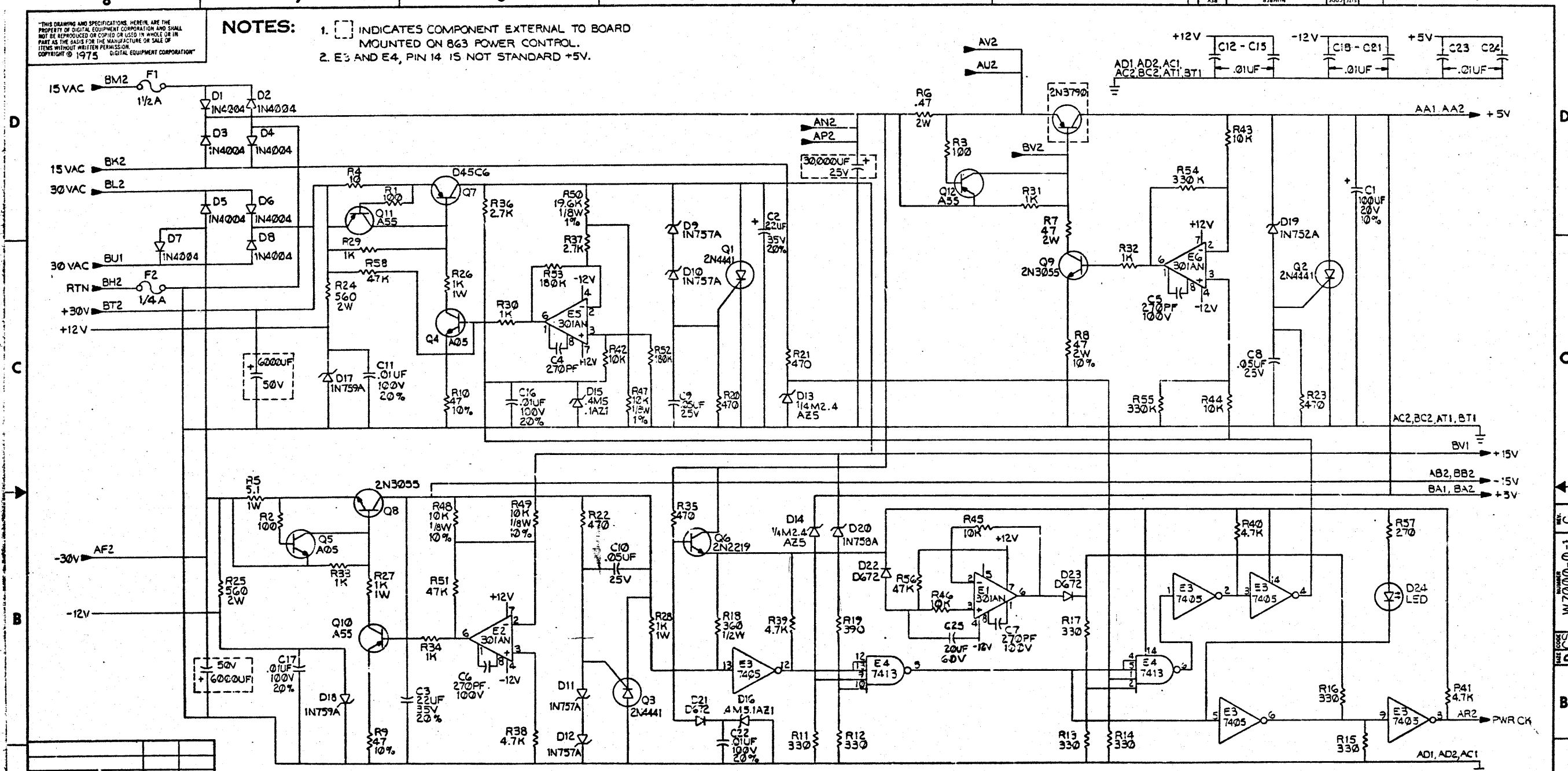
REVISIONS		
CHK	CHANGE NO.	REV.

TITLE AC LOW VOLTAGE DETECTOR  
 SCALE 1:1 SHEET 2 OF 2  
 SIZE CODE NUMBER REV. DCS W516-0-1 D  
 DIST. 2 MK 1



"THIS DRAWING AND SPECIFICATIONS HEREIN ARE THE PROPERTY OF DIGITAL EQUIPMENT CORPORATION AND SHALL NOT BE REPRODUCED OR COPIED OR USED IN WHOLE OR IN PART AS THE BASIS FOR THE MANUFACTURE OR SALE OF ITEMS WITHOUT WRITTEN PERMISSION. COPYRIGHT © 1975 DIGITAL EQUIPMENT CORPORATION"

**NOTES:**  
 1. [ ] INDICATES COMPONENT EXTERNAL TO BOARD MOUNTED ON 863 POWER CONTROL.  
 2. E3 AND E4, PIN 14 IS NOT STANDARD +5V.



IC TYPE	GND	+5V	+12V	-12V
7				
4				

SEE NOTE 2  
 I.C. 301AN

GND AND 5V ARE USUALLY PIN 7 AND 14 RESPECTIVELY. EXCEPTIONS ARE STATED ABOVE.

IC PIN LOCATIONS

QTY	REF. DESIGNATION	DESCRIPTION	PART NO.	ITEM NO.
FIRST USED ON OPTION MODEL				
863				
ETCH BOARD-REV				
PARTS LIST				
DRN. E. EDWARDS DATE 4-2-75				
CHKD. CONSTANTINIAN 6-23-74				
ENG. J. DREW DATE 10-4-74				
PROJ. ENG. J. DREW DATE 10-4-74				
PROD. J. REZEK DATE 10-4-74				
NEXT HIGHER ASSY				
B-DD-W7000-0				
DEC. NO.	EIA NO.	DEC. NO.	EIA NO.	REV.
				C
SEMICONDUCTOR CONVERSION CHART				
SCALE	SHEET 1 OF 1		DIST.	

**digital**

AUX POWER SUPPLY

SIZE CODE NUMBER REV.  
 D ICS W7000-0-1 C

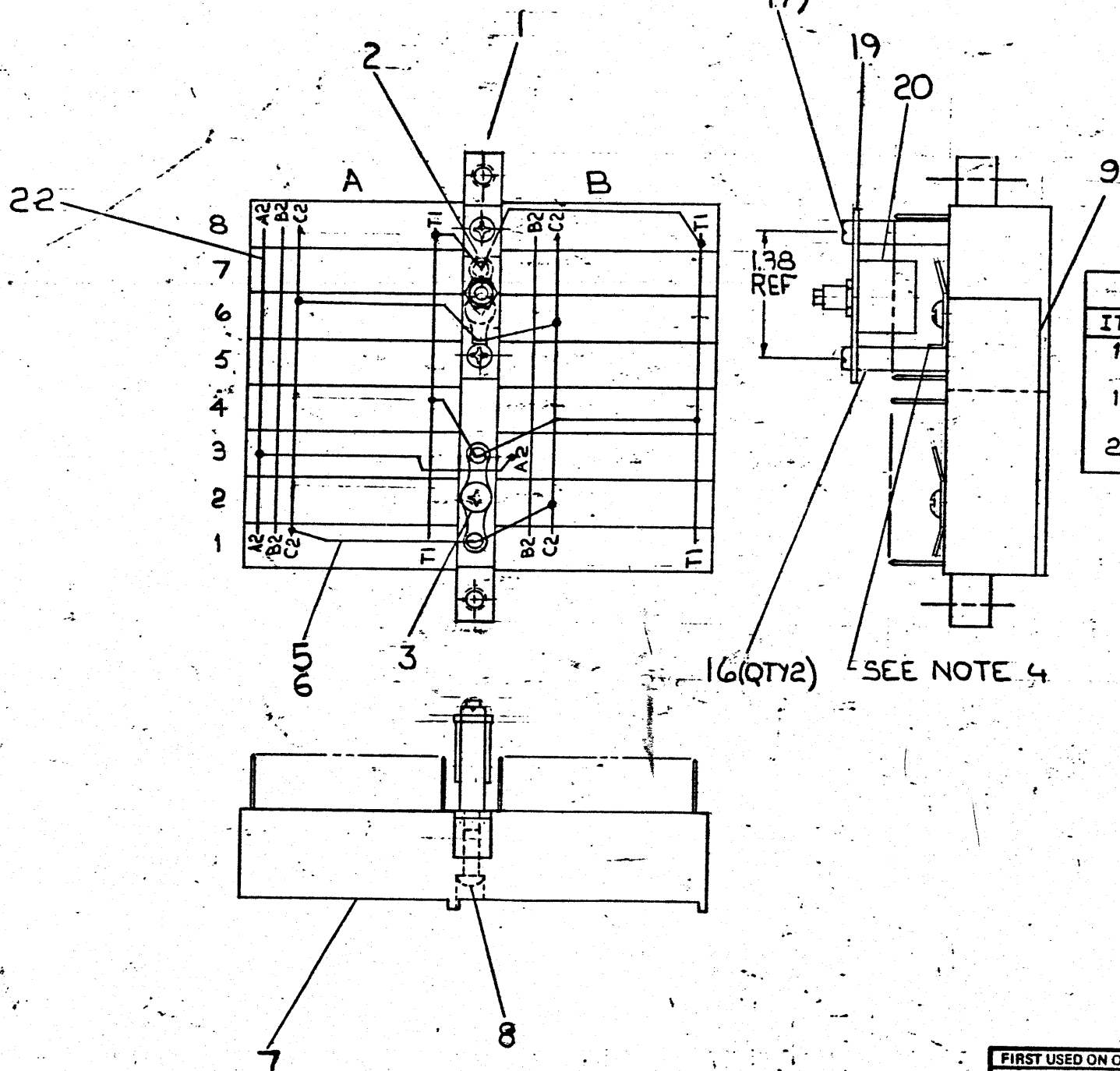
This drawing and specifications, herein, are the property of Digital Equipment Corporation and shall not be reproduced or copied or used in whole or in part as the basis for the manufacture or sale of items without written permission. COPYRIGHT © 1973

DIGITAL EQUIP CORP.

NOTES:

1. CONNECTIONS ON BUSSING ITEMS \*22 TO BE LOCATED AT MINIMUM PRACTICAL HEIGHT ABOVE BLOCKS.
2. USE YEL WIRE ITEM \*10 FOR WRAPPING, PERFORMED PER WIRE LIST OF THIS DWG. USE ITEM \*11 FOR TWP (NC HAND WRAP).
3. SLEEVE ITEMS 12, 13 & 21 WITH ITEM \*23 AND THEN ATTACH ITEM \*14.
4. BEND UP THIS END OF GND TAB (ITEM \*2) TO ALLOW MTG. OF STANDOFF AT THIS LOCATION.

EXTERNAL COMPONENT TABLE						
ITEM	COMP	POL	FROM	TO	POL	REMARKS
13	RES		B1D2	D2T1		390 Ω
12	RES		B1A2	B1D2		180 Ω
21	RES		B03A2	B03V2		1.8K Ω



**CAUTION:** OFF SHEETS PARTS EXISTS: REFER TO K-PL-7009632-0-DBP

REV.	CHANGE NO.	CHK	DATE
A	00003	J. DREW	10/20/73
B	00005	J. DREW	11/15/74
C	MFO10	J. DREW	12/21/74

FIRST USED ON OPTION/MODEL	QTY.	DESCRIPTION	PART NO.	ITEM NO.
863				
PARTS LIST				
UNLESS OTHERWISE SPECIFIED DIMENSION IN INCHES. TOLERANCES	DRN. DATE 10/30/73	DIGITAL EQUIPMENT CORPORATION MAYNARD, MASSACHUSETTS		
DECIMALS .XXX = .006 .XX = .02 .X = .1	CHK'D. DATE 11/15/74	TITLE WIRED ASSY (CHASSIS 863 P.C.)		
ANGLES ±0° 30'	ENG. DATE 11/15/74	SIZE CODE NUMBER REV. CAD 7009632-0-0 C		
REMOVE BURRS AND BREAK SHARP CORNERS SURFACE QUALITY	PROJ. ENG. DATE 12/21/74	NEXT HIGHER ASSY.		
MATERIAL	PROJ. DATE 12/21/74	E-UA-863-0-0		
SEE PARTS LIST		SCALE 1/1		
FINISH		SHEET 1 OF 2		

"THIS DRAWING AND SPECIFICATIONS, HEREIN, ARE THE PROPERTY OF DIGITAL EQUIPMENT CORPORATION AND SHALL NOT BE REPRODUCED OR COPIED OR USED IN WHOLE OR IN PART AS THE BASIS FOR THE MANUFACTURE OR SALE OF ITEMS WITHOUT WRITTEN PERMISSION. COPYRIGHT © 1974, DIGITAL EQUIPMENT CORPORATION"

WIRE TABLE						REMARKS
ITEM NO	DESCRIPTION		FROM	TO	SIGNAL NAME	
	AWG	COLOR	CONNECTION	CONNECTION		
10	30	YEL	A01C1	A01C2	GND	
			A01C2	A01D1		
			A01D1	A01D2		
			A03E2	A03K1		
			A04C2	A04M2		
			B04C2	B04D2		
			B04D2	B04E2		
			B04E2	B04F2		
			B04F2	B04H2		
			B04H2	B04J2		
			B04J2	B04K2		
			B04K2	B04L2		
			B04L2	B04M2		
			B04M2	B04P2	GND	
			A01A1	A01A2	+ 5 VOLTS	
			A01A2	B01A1		
			B01A1	B01A2		
			A04A2	A04P2		
			A04A2	A04R1	+ 5 VOLTS	
			B01V1	A02C1	+15 VOLTS	
			A02C1	B02C1	+15 VOLTS	
			A03F1	A04J2	PHASE 1A	
			A03H1	A04K1	PHASE 1B	
			A03J1	A04K2	PHASE 2A	
			A03J2	A04L1	PHASE 2B	
			A03E2	A04L2	PHASE 3A	
			A03D2	A04M1	PHASE 3B	
			B01M2	A04D1	1Ø VAC A	
			B01K2	A04D2	1Ø VAC B	
			B01L2	A04E1	3Ø VAC A	
			B01U1	A04E2	3Ø VAC B	
			B01H2	A04F1	3Ø VAC RTN	
			A01N2	A04H1	+18V RAW	
			A01P2	A04H2	+18V RAW	
			B01T2	A04J1	+ 3ØV RAW	
			A01E2	A04F2	-3ØV RAW	
			A02L2	B03J2	AIR FLOW A (L)	
			A02C1	A03C1	+15V	
			B04A2	A05A2	+5V	
			A02M2	B03V2	PWR UP (L)	
			B03U2	B04N2	PWR LED (L)	
			B02V1	B03V1	MST PWR ON (H)	
			B02D2	B01D2	PWR WARNING(L)	
			B03T1	B02F2	GND	
			B01T1	B02V2	GND	
10	30	YEL	SWI-NC	A02M2	RESET/PWR UP(L)	

WIRE TABLE						REMARKS
ITEM NO	DESCRIPTION		FROM	TO	SIGNAL NAME	
	AWG	COLOR	CONNECTION	CONNECTION		
10	30	YEL	B03J2	B04D1	AIR FLOW A (L)	
			A02K2	B03L2	AIR FLOW B (L)	
			B03L2	B04E1	AIR FLOW B (L)	
			A02J2	B03M2	AIR FLOW C (L)	
			B03M2	B04F1	AIR FLOW C (L)	
			A02H2	B03N2	AIR FLOW D (L)	
			B03N2	B04H1	AIR FLOW D (L)	
			A02D2	B03R2	OVERTEMP (L)	
			B03R2	B04J1	OVERTEMP (L)	
			A02E2	B03S2	CKT BKR (L)	
			B03S2	B04K1	CKT BKR (L)	
			A02F2	B03T2	DOOR OPEN A (L)	
			B03T2	B04L1	DOOR OPEN A (L)	
			A02B1	B04M1	DOOR OPEN B (L)	
			A01R2	SWI-C	POWER UP (L)	
			A02N2	B03A1	PWR REQUEST (L)	
			B03A1	B04P1	PWR REQUEST (L)	
			A02U2	B04N1	FAULT (L)	
			A02A1	A03U1	AC L3W (H)	
			A02P2	A03K2	OVERRIDE (L)	
			A03K2	B03U1	OVERRIDE (L)	
10		YEL	B03U1	B04R1	OVERRIDE (L)	
11		BLK/WHT	B02L2	B04S1	CROBAR (L)	
		TWP	B02V2	B04S2	CROBAR RTN	
		BLK/WHT	B02D2	B04U1	PWR WARNING (L)	
		TWP	B02F2	B04U2	PWR WARNING RTN	
		BLK/WHT	A02R2	B04V1	PWR DOWN (L)	
11		TWP	A02V2	B04V2	PWR DOWN RTN	
10		YEL	B01V2	A04P1	+ 5V DRIVE	
10			A01U2	A04N1	+18V	
10			A01V2	A04N2	+18V	
10	30	YEL	A04N1	A04N2	+18V	
12&14			B01A2	B01D2	+5V	
13&14			B01D2	B02T1	GND	

REV.	
CHANGE NO.	
CHK	

FIRST USED ON OPTION/MODEL 863	QTY.	DESCRIPTION	PART NO.	ITEM NO.
UNLESS OTHERWISE SPECIFIED DIMENSION IN INCHES				
TOLERANCES				
DECIMALS	ANGLES			
.xxx = .005	±0° 30'			
.xx = .02				
.x = .1				
REMOVE BURRS AND BREAK SHARP CORNERS SURFACE QUALITY ✓				
MATERIAL	NEXT HIGHER ASSY.			
SEE PARTS LIST	E-UA-863-0-0			
FINISH	SCALE NONE			
	SHEET 2 OF 2			
PARTS LIST		digital EQUIPMENT CORPORATION MAYNARD, MASSACHUSETTS		
TITLE WIRED ASSY (CHASSIS 863 P.C.)				
SIZE CODE	NUMBER	REV.		
C AD	7009632-0-0	C		
DIST.				

SIZE CODE NUMBER CAD 7009632-0-0 REV. C

LINE ITEM	DOCUMENT NUMBER	PART NUMBER	DESCRIPTION	QUANTITY PER VARIATION	
				00	01
1	D-CS-7009878-0-1		*** THIS ITEM IS NOT USED ***	0	0
2	E-IA-7411731-0-0	7411731-00	BOX CAPACITOR (70-9475)	2	2
3	D-IA-7411867-0-0	7411867-00	PLATE BUSS KL10 (70-9878)	1	1
4	D-IA-7411868-0-0	7411868-00	PLATE TOP BUSS KL10 (709878)	1	1
5		9006037-02	SCREW,FLAT,PHIL, 8-32X 3/8	12	12
6	C-MD-7411873-0-0	7411873-00	PLATE PROT KL10 (70-9878)	1	0
7	C-IA-7411829-0-0	7411829-00	PLATE MTG CAP BOX KL10 (70-9878)	3	0
8		1011479-00	300,000 MFD 15V +75-10% AL EL	13	13
9		1300158-00	4.0 55.0 W10.0 % WW	4	4
10		9006035-01	SCREW,PAN,PHIL 8-32X 1/4 SS	0	0
11		9006070-01	*** THIS ITEM IS NOT USED ***	0	0
12	B-MD-7412614-0-0	7412614-00	STANDOFF MALE-FEMALE RWRK (KL10)	13	13
13		9008208-01	SCREW, NYLON, SLTD PAN HD, 8-32	5	5
14		9006073-01	*** THIS ITEM IS NOT USED ***	0	0
15		9006635-00	WASHER,LOCK,INT,.3100D X .200ID	26	26
16		9006037-01	SCREW,PAN,PHIL 8-32X 3/8 SS	15	15
17		9006634-00	WASHER,LOCK,INT,.2300D X .172ID	18	18
18	C-IA-7412340-0-0	7412340-00	HOLDDOWN CAPACITOR KL10 (70-9878)	1	1
19		9006563-00	NUT,KEP 8-32X 11/13AF	5	5
20		9107370-22	WIRE,STRND,14AWG,IPVC UL1534	A/R	A/R
21		9107370-00	WIRE,STRND,14AWG,IPVC UL1534	A/R	A/R
22		9007928-00	TERM,RING #10STUD CRIMP 14-1	2	2
23		9006021-01	SCREW,PAN,PHIL 6-32X 5/16 SS	2	2
24		9006633-00	WASHER,LOCK,INT,.2800D X .146ID	2	2
25		9009255-00	LABEL, POWER SUPPLY, 2-15/16 " L	1	1
26	B-MD-7410941-0-0	7410941-00	CABLE STRAIN RELIEF KL10 (70-987	1	1
27	B-DC-5308754-0-0	5308754-00	DECAL	1	1
28		9007046-00	GROMMET #3 GS-3	A/R	A/R
29		9009103-00	FOAM, POLYURETHANE, 3/8 THK, X 1	A/R	A/R
30	C-MD-7411873-0-0	7411873-01	PLATE PROTECTOR	0	1

REVISION HISTORY		BASIC PART NO: 7009878		DRN: V. SOUZA		DATE: 26-MAR-74		D I G I T A L	
ENG	ECO NUMBER	REV	SECTION A OF A	CHK'D		DATE	TITLE	DOCUMENT NUMBER	
BW	7009878-MR004	E	SECTION, VARIATION INDEX	D. HEALEY		10-MAY-74	CAPACITOR BOX ASSY		
			(A) 00,01	J. PROVIDENT		15-AUG-74			
			(B)	J. PROVIDENT		19-SEP-74			
			(C)						
			(D)						
			(E)	R. BOWER		1-OCT-74			
			(F)						
ASSEMBLY NUMBER:				TOP DOCUMENT NUMBER:		FILE NAME:		EDIT #:	
E-AD-7009878-0-0				SB-DD-KL10-0		23733E,PLS		9	

"THIS DRAWING AND SPECIFICATIONS HEREIN, ARE THE PROPERTY OF DIGITAL EQUIPMENT CORPORATION AND SHALL NOT BE REPRODUCED OR COPIED OR USED IN WHOLE OR IN PART AS THE BASIS FOR THE MANUFACTURE OR SALE OF ITEMS WITHOUT WRITTEN PERMISSION. COPYRIGHT (C) 1991, DIGITAL EQUIPMENT CORPORATION."

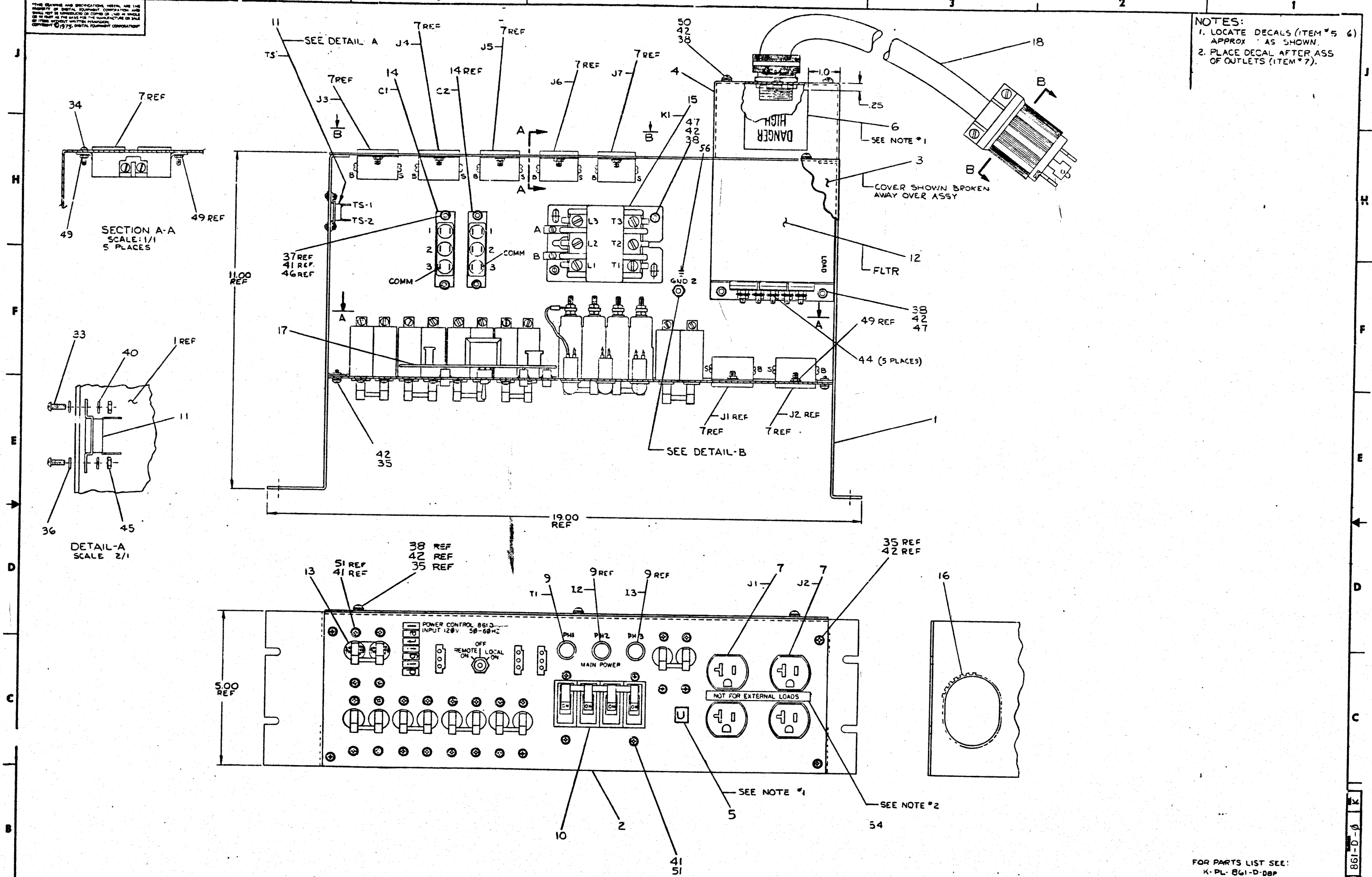
LINE ITEM	DOCUMENT NUMBER	PART NUMBER	DESCRIPTION	QUANTITY PER VARIATION	
				00	01
31	31	C-IA-7414615-0-0	7414615-00	MOUNTING PLATE, CAPACITOR BOX	- 3
32	32		9006071-03	SCREW,TRUS,PHIL, 10-32X 3/8	13 13
33	33		9006073-03	SCREW,TRUS,PHIL, 10-32X 1/2	13 13

D	I	G	I	T	A	L	TITLE	SECTION A OF A	SIZE	CODE	DOCUMENT NUMBER	REV
							CAPACITOR BOX ASSY		K	PL	7009978-0-DBP	E



THIS DRAWING AND SPECIFICATION HEREIN ARE THE PROPERTY OF THE UNITED STATES GOVERNMENT AND SHALL NOT BE REPRODUCED OR TRANSMITTED IN ANY FORM OR BY ANY MEANS, ELECTRONIC OR MECHANICAL, INCLUDING PHOTOCOPYING, RECORDING, OR BY ANY INFORMATION STORAGE AND RETRIEVAL SYSTEM, WITHOUT PERMISSION IN WRITING FROM THE UNITED STATES GOVERNMENT.

NOTES:  
 1. LOCATE DECALS (ITEM #5, 6) APPROX. AS SHOWN.  
 2. PLACE DECAL AFTER ASSY OF OUTLETS (ITEM #7).



REV.	DATE	BY	CHKD.	DESCRIPTION
1	11/15/61	J. DREW		ISSUED FOR PRODUCTION
2	11/15/61	J. DREW		REVISION
3	11/15/61	J. DREW		REVISION
4	11/15/61	J. DREW		REVISION
5	11/15/61	J. DREW		REVISION
6	11/15/61	J. DREW		REVISION
7	11/15/61	J. DREW		REVISION
8	11/15/61	J. DREW		REVISION
9	11/15/61	J. DREW		REVISION
10	11/15/61	J. DREW		REVISION
11	11/15/61	J. DREW		REVISION
12	11/15/61	J. DREW		REVISION
13	11/15/61	J. DREW		REVISION
14	11/15/61	J. DREW		REVISION
15	11/15/61	J. DREW		REVISION
16	11/15/61	J. DREW		REVISION
17	11/15/61	J. DREW		REVISION
18	11/15/61	J. DREW		REVISION
19	11/15/61	J. DREW		REVISION
20	11/15/61	J. DREW		REVISION
21	11/15/61	J. DREW		REVISION
22	11/15/61	J. DREW		REVISION
23	11/15/61	J. DREW		REVISION
24	11/15/61	J. DREW		REVISION
25	11/15/61	J. DREW		REVISION
26	11/15/61	J. DREW		REVISION
27	11/15/61	J. DREW		REVISION
28	11/15/61	J. DREW		REVISION
29	11/15/61	J. DREW		REVISION
30	11/15/61	J. DREW		REVISION
31	11/15/61	J. DREW		REVISION
32	11/15/61	J. DREW		REVISION
33	11/15/61	J. DREW		REVISION
34	11/15/61	J. DREW		REVISION
35	11/15/61	J. DREW		REVISION
36	11/15/61	J. DREW		REVISION
37	11/15/61	J. DREW		REVISION
38	11/15/61	J. DREW		REVISION
39	11/15/61	J. DREW		REVISION
40	11/15/61	J. DREW		REVISION
41	11/15/61	J. DREW		REVISION
42	11/15/61	J. DREW		REVISION
43	11/15/61	J. DREW		REVISION
44	11/15/61	J. DREW		REVISION
45	11/15/61	J. DREW		REVISION
46	11/15/61	J. DREW		REVISION
47	11/15/61	J. DREW		REVISION
48	11/15/61	J. DREW		REVISION
49	11/15/61	J. DREW		REVISION
50	11/15/61	J. DREW		REVISION
51	11/15/61	J. DREW		REVISION

FOR PARTS LIST SEE:  
 K-PL-861-D-DBP

QUANTITY & VARIATION	DESCRIPTION	DWG PART NO.	ITEM NO.
ANGLES	CLASS	NOMINAL DIMENSION RANGE	
1/2"	ACCURACY	0.005	0.010
1"	CHECK ONE:	0.010	0.015
2"		0.015	0.020
3"		0.020	0.025
4"		0.025	0.030
5"		0.030	0.035
6"		0.035	0.040
7"		0.040	0.045
8"		0.045	0.050
9"		0.050	0.055
10"		0.055	0.060
11"		0.060	0.065
12"		0.065	0.070
13"		0.070	0.075
14"		0.075	0.080
15"		0.080	0.085
16"		0.085	0.090
17"		0.090	0.095
18"		0.095	0.100
19"		0.100	0.105
20"		0.105	0.110
21"		0.110	0.115
22"		0.115	0.120
23"		0.120	0.125
24"		0.125	0.130
25"		0.130	0.135
26"		0.135	0.140
27"		0.140	0.145
28"		0.145	0.150
29"		0.150	0.155
30"		0.155	0.160
31"		0.160	0.165
32"		0.165	0.170
33"		0.170	0.175
34"		0.175	0.180
35"		0.180	0.185
36"		0.185	0.190
37"		0.190	0.195
38"		0.195	0.200
39"		0.200	0.205
40"		0.205	0.210
41"		0.210	0.215
42"		0.215	0.220
43"		0.220	0.225
44"		0.225	0.230
45"		0.230	0.235
46"		0.235	0.240
47"		0.240	0.245
48"		0.245	0.250
49"		0.250	0.255
50"		0.255	0.260
51"		0.260	0.265

861-D  
 POWER CONTROL  
 ASSY

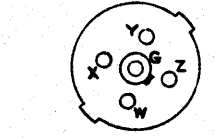
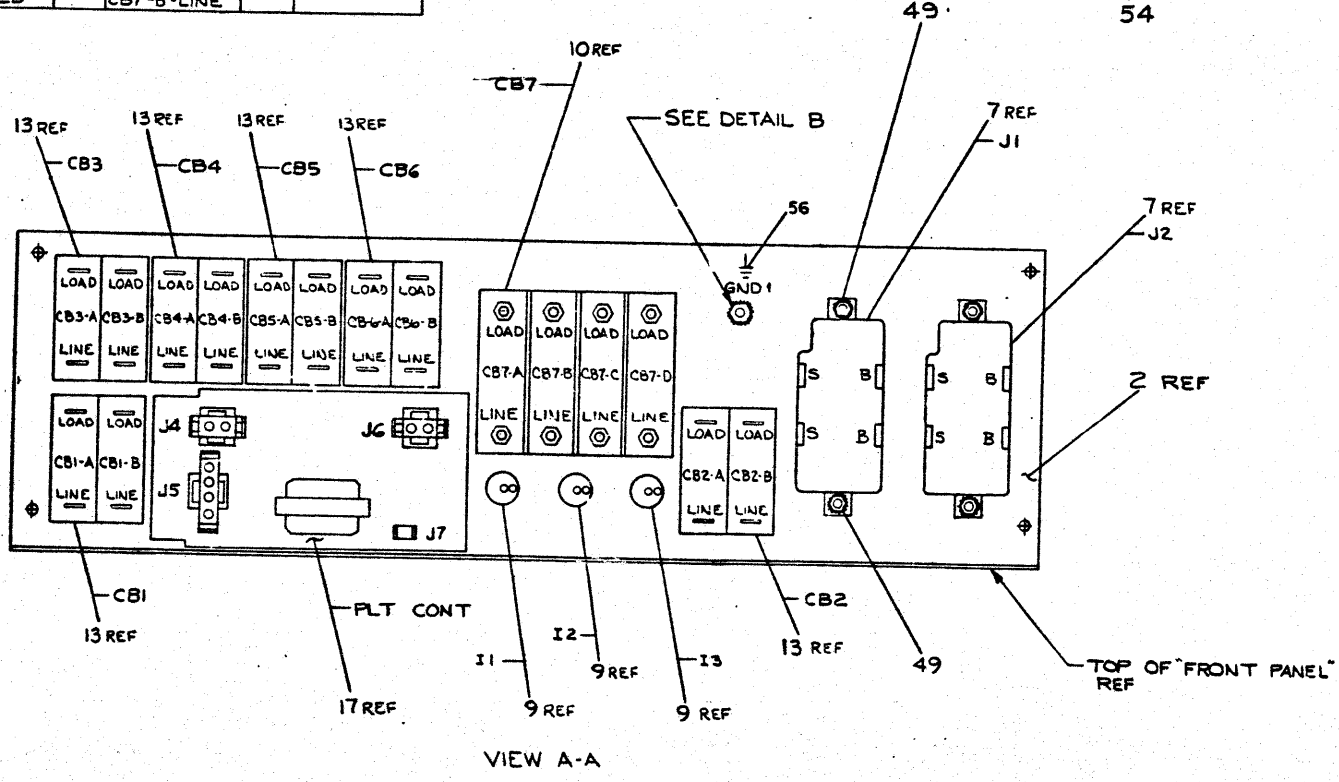
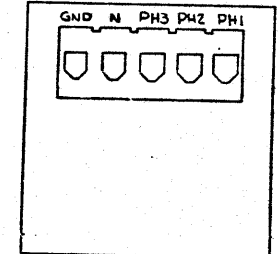
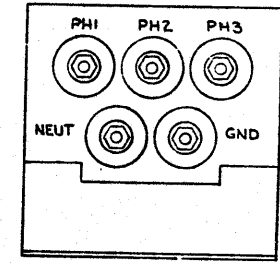
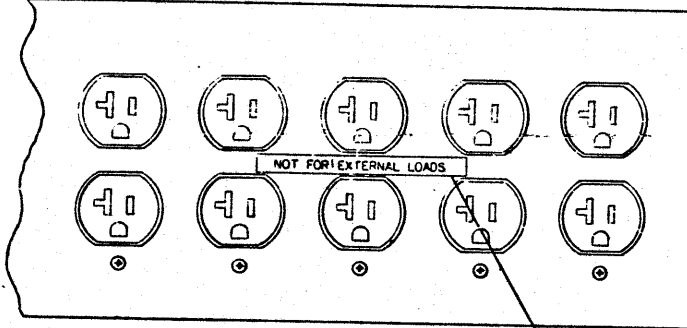
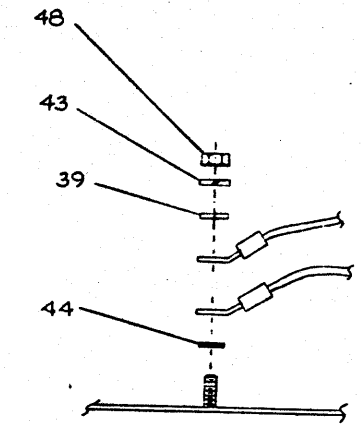


THIS DRAWING AND SPECIFICATIONS HEREBY ARE THE PROPERTY OF THE UNITED STATES GOVERNMENT AND ARE LOANED TO YOU BY THE NATIONAL BUREAU OF STANDARDS. IT IS TO BE USED ONLY FOR THE PURPOSES AND UNDER THE CONDITIONS SPECIFIED IN THE CONTRACT DOCUMENTS.

ITEM NO	DESCRIPTION	FROM		TO		REMARKS		
		COLOR	AWG	CONNECTION	WITH		CONNECTION	WITH
22	BLU	10		HARNESS 1-1		K1-T3		
	BLK					K1-T1		
	RED					K1-T2		
	RED					CB7-C-LOAD		
	BLK					CB7-D-LOAD		
23	BLU	10		HARNESS 1-6		CB7-B-LOAD		
	RED	10		HARNESS 3-1		CB7-C-LINE		
	BLK					CB7-D-LINE		
	BLU					CB7-B-LINE		
	WHT					CB7-A-LINE		
24	GRN					GND *2		
	WHT					FLTR-LOAD-NEUT		
	GRN					FLTR-LOAD-GND		
	BLK					FLTR-LOAD-PH1		
	BLU					FLTR-LOAD-PH3		
	RED	10		HARNESS 3-10		FLTR-LOAD-PH2		
	BLK	14		HARNESS 5-1		CB2-B-LINE		
	WHT					CB7-D-LOAD		
	WHT					CB2-A-LINE		
	WHT					CB7-A-LOAD		
	BLU					PLT CONT-J6		
	WHT					CB7-A-LINE		
	WHT					CB7-A-LOAD		
	RED					CB5-B-LINE		
	WHT					CB5-A-LINE		
25	WHT/BLU					PLT CONT-J5		
	RED					CB4-B-LINE		
	WHT					CB4-A-LINE		
	BLU					CB1-B-LINE		
	WHT					CB1-A-LINE		
	BLU					CB3-B-LINE		
	WHT					CB3-A-LINE		
	WHT					CB7-A-LOAD		
	WHT					CB7-A-LOAD		
	BLK					CB7-B-LOAD		
	BLU					CB7-B-LOAD		
	RED	14		HARNESS 5-42		CB7-C-LOAD		
	9	BLK	22		21-BLK		CB7-A-LINE	
	9	RED	22		22-RED		CB7-A-LINE	
	9	BLK	22		23-BLK		CB7-A-LINE	
9	RED	22		23-RED		CB7-B-LINE		

ITEM NO	DESCRIPTION	FROM		TO		REMARKS		
		COLOR	AWG	CONNECTION	WITH		CONNECTION	WITH
25	WHT	14		HARNESS 6-1		J7-5		
	BLK					J7-8		
	WHT					J6-5		
	RED					J6-8		
	WHT					J5-9		
	RED					J5-8		
	WHT					J4-5		
	BLU					J4-8		
	WHT					J3-5		
	BLU					J3-8		
	WHT					CB1-A-LOAD		
	BLU					CB1-B-LOAD		
	WHT					CB3-A-LOAD		
	BLU					CB3-B-LOAD		
	WHT					CB4-A-LOAD		
26	RED					CB4-B-LOAD		
	WHT					CB5-A-LOAD		
	RED					CB5-B-LOAD		
	WHT					CB6-A-LOAD		
	BLK	14		HARNESS 6-20		CB6-B-LOAD		
	WHT	14		HARNESS 8-PI		PLT CONT-J4		
	28	GRN	10		GND *1		GND *2	
	29	WHT	14		C1-3		C2-3	
	30	WHT	14		J1-5		J2-5	
	31	GRN	14		PLT CONT-J7		GND *1	
	32	BLK	14		J1-B		J2-B	
	18	BRN	10		FLTR-LINE-PH1		PLUG-X	
		BLK			FLTR-LINE-PH2		PLUG-Y	
		BLK			FLTR-LINE-PH3		PLUG-Z	
		BLU			FLTR-LINE-NEUT		PLUG-W	
GRN/YEL		10		FLTR-LINE-GND		PLUG-G		
8			K1-A	52	K1-B	52		

NOTES FOR WIRING:  
1. FOR HARNESS POINT NUMBERS, REFER TO HARNESS DWG.



DESCRIPTION		QTY	UNIT	REVISION
UNLESS OTHERWISE SPECIFIED DIMENSIONS ARE IN INCHES				
ANGLES	UNLESS OTHERWISE SPECIFIED			
SURFACE	FINISH			
QUALITY	IN			
QUANTITY & VARIATION				
THIRD ANGLE PROJECTION	DRN	1/1/77	361-D	1
REMOVE BURRS AND BREAK SHARP CORNERS	CHK D			
DO NOT SCALE DWG	ENG			
	PROD			
	PROD			
MATERIAL	NEXT HIGHER ASSY.			
FINISH	SCALE	1/1		
	SIZE	361-D		
	CODE	861-D-0		
	NUMBER			
	REV			



P A R T S L I S T

LINE	ITEM	TOP DOCUMENT	PART NUMBER	MIN REV	DESCRIPTION	QTY PER VARIATION
1	1	E-MD-7426453-0-0	7426453-01	A	SHIELD CONTROL DOUBLE	1
2	2	D-IA-7426474-0-0	7426474-01	A	PLATE, SWITCH MOUNTING	1
3	3	D-IA-7426473-0-0	7426473-01	A	PLATE, CONNECTOR MOUNTING	1
4	4	E-IA-7020315-0-0	7020315-00		SWITCH PANEL HARNESS	1
5	5	B-MD-7414143-0-0	7414143-00		SPACER	2
6	6	B-MD-7413680-0-0	7413680-00		SWITCH LOCK	1
7	7		9006560-00	A	NUT, HEX EXT TOOTH LCKWSHR 6-32	2
8	8		9006563-00	A	NUT, HEX EXT TOOTH LCKWSHR 8-32	4
9	9		9006022-01	A	SCREW, WACH PAN PHIL 6-	2
10	10		7409873-01		PWR CONN DECAL WHITE ON CLEAR	1
11	11		9009283-00	A	SPACER, CLEAR HOLE HEX ALUM 6	8
12	12		9002255-03	B	LABEL, P.S./SUB.ASSY ID	11
13	13		1212749-00		LIGHT, PNL INDICATOR, LED, RED	2
14	14		9009533-00	A	CHANNEL "U" EXTRUDED RUBBER	A/R
15	15		9006557-00	A	NUT, HEX EXT TOOTH LCKWSHR 4-40	12

REVISION HISTORY			BASIC PART NO: 7020310		
ENG	ECO NUMBER	REV	SECTION A OF A	DRN: W. FAULSTICH	DATE: 09-JUN-83
	INITIAL	IA	SECTION VARIATION INDEX	CHK'D: JEFF HUSTON	DATE: 09-JUN-83
			CAJ00	DES.ENG: ROGER SCOTT	DATE: 09-JUN-83
			[B]	RESP.ENG.: ROGER SCOTT	DATE: 09-JUN-83
			[C]	MPG.ENG.: SUE ALMEIDA	DATE: 09-JUN-83
			[D]	ASSEMBLY NUMBER:	TOP DOCUMENT NUMBER:
			[E]		FILE NAME: Z6857A.PLS
			[F]		EDIT # 5

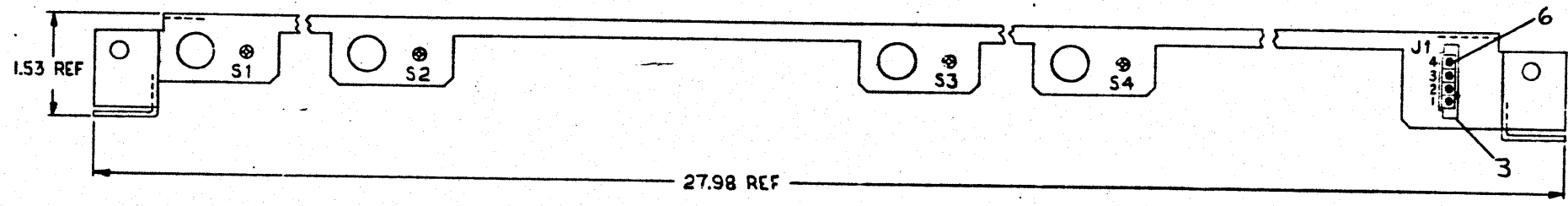
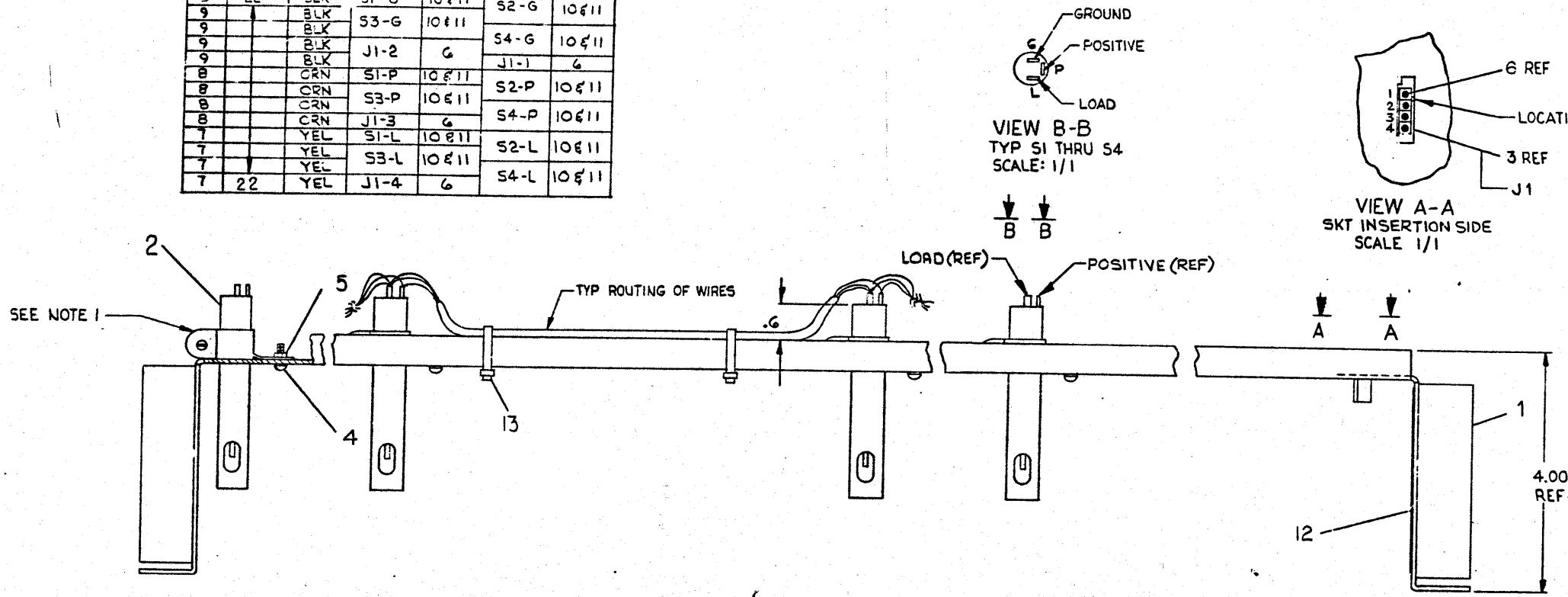
"THIS DRAWING AND THE SPECIFICATIONS CONTAINED HEREIN ARE CONFIDENTIAL AND PROPRIETARY. THEY ARE THE PROPERTY OF DIGITAL EQUIPMENT CORPORATION AND SHALL NOT BE REPRODUCED OR COPIED OR USED IN WHOLE OR IN PART AS THE BASIS FOR THE MANUFACTURE OR SALE OF ITEMS WITHOUT WRITTEN PERMISSION. THIS IS AN UNPUBLISHED WORK PROTECTED UNDER THE FEDERAL COPYRIGHT LAWS."

THIS DRAWING AND SPECIFICATIONS, HEREIN, ARE THE PROPERTY OF DIGITAL EQUIPMENT CORPORATION AND SHALL NOT BE REPRODUCED OR COPIED OR USED IN WHOLE OR IN PART AS THE BASIS FOR THE MANUFACTURE OR SALE OF ITEMS WITHOUT WRITTEN PERMISSION. COPYRIGHT © 1974, DIGITAL EQUIPMENT CORPORATION

WIRE TABLE								
ITEM NO	DESCRIPTION	FROM		TO				
		NO	AWG	COLR	CONN	TERM	CONN	TERM
9	22	BLK	S1-G	10	11	S2-G	10	11
9		BLK	S3-G	10	11	S4-G	10	11
9		BLK	J1-2	6		J1-1	6	
8		CRN	S1-P	10	11	S2-P	10	11
8		CRN	S3-P	10	11	S4-P	10	11
8		CRN	J1-3	6				
7		YEL	S1-L	10	11	S2-L	10	11
7		YEL	S3-L	10	11	S4-L	10	11
7	22	YEL	J1-4	6				

0-0-9286002  
DAD 7009876-0-0

NOTES:  
1. SWITCH MOUNTING HARDWARE SUPPLIED WITH VANE SWITCH.



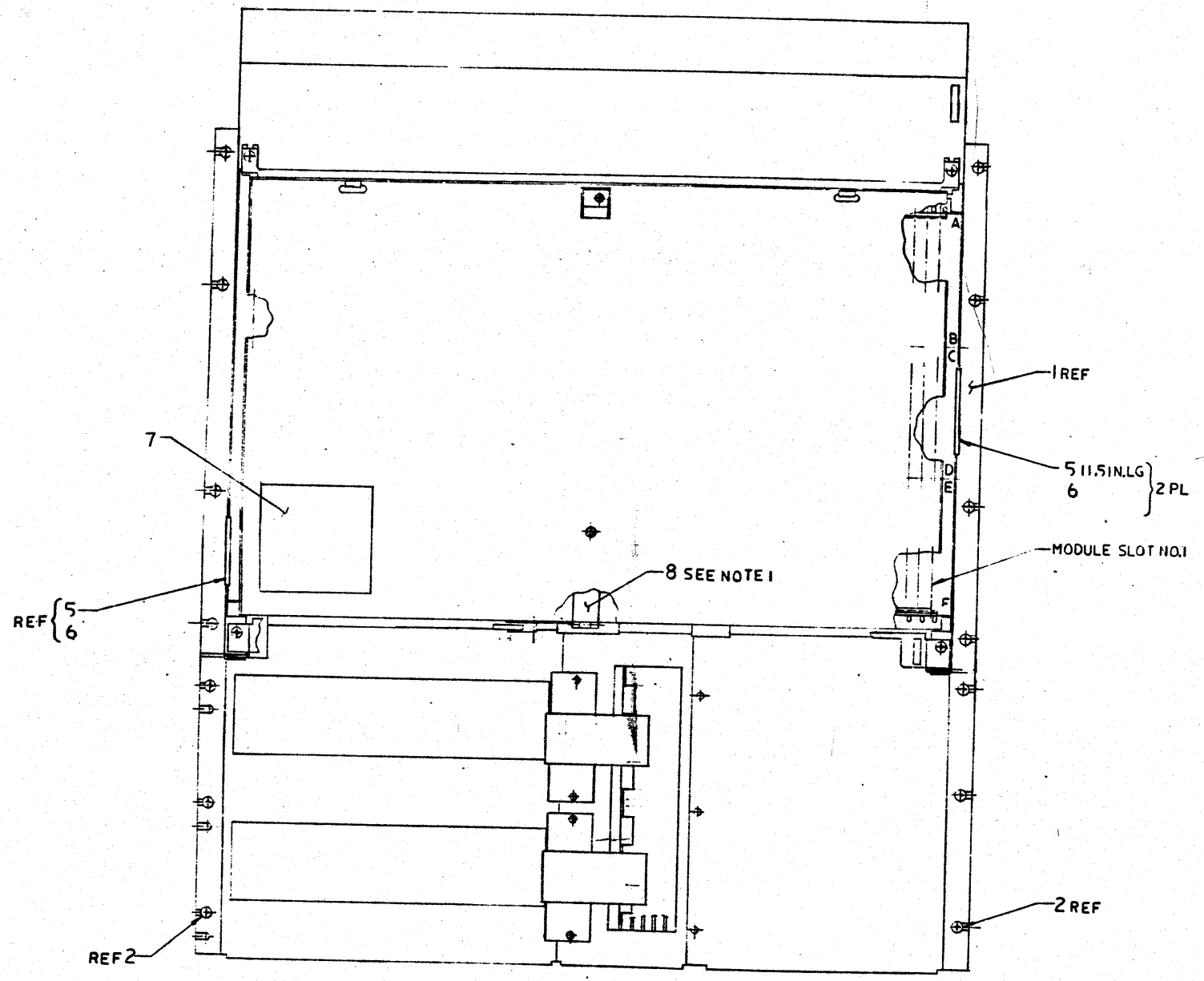
QTY.	DESCRIPTION	PART NO.	ITEM NO.
8	CABLE TIES	9007032	13
1	LABEL ADHESIVE BACK	9009255	12
12	SHRINKABLE TUBING	9107305-02	11
	TERMINAL QUICK CONNECT	9009137-01	10
A/R	WIRE, 22 AWG STRD (BLK)	9107350-00	9
A/R	WIRE, 22 AWG STRD (CRN)	9107350-33	8
A/R	WIRE, 22 AWG STRD (YEL)	9107350-44	7
4	TERMINAL SKT CONTACT	1209379-06	6
4	NUT, KEP 6-32	9006560	5
4	SCR., PH. HD. PAN 6-32x.38	9006022-1	4
1	CONN SKT HSG 4 PIN	1209350-04	3
4	VANE SWITCH SPST N.O.	1211603	2
1	BRACKET, SWITCH	D-MD-7411372-0-0	1

REV.	CHANGE NO.	DATE	BY
1	7009876-00001		

FIRST USED ON OPTION/MODEL		PARTS LIST	
KL10		digital	
DIMENSIONAL TOLERANCE		DRN. DATE	
DIMENSIONS ARE UNLESS OTHERWISE SPECIFIED		CHK'D. DATE	
MILLIMETERS	INCHES	ANGLES	DATE
X JOE ±0.10	JOE ±0.08	40° 30'	3/25/74
X JX ±0.05	JX ±0.02		
X ±0.2	X ±0.1		
THIRD ANGLE PROJECTION	REMOVE BURRS AND BREAK SHARP CORNERS SURFACE QUALITY	ENG. DATE	
		PRD. ENG. DATE	
		PROD. DATE	
MATERIAL	SEE PARTS LIST	SIZE CODE	NUMBER
FINISH		D-UA-KL10-0-0	D AD 7009876-0-0
		SCALE	1/1
		SHEET	1 OF 1

DAD 7009876-0-0





VIEW B-B SH1

REVISION HISTORY	
ECO NUMBER	REV.

8	7	6	5	4	3	2	1
---	---	---	---	---	---	---	---

TITLE LOGIC ASSY  
RH20 / DTE20

DOCUMENT NUMBER		REV.
AD	7020381-2-0	1
SCALE 1/2	SHEET 2	OF 4

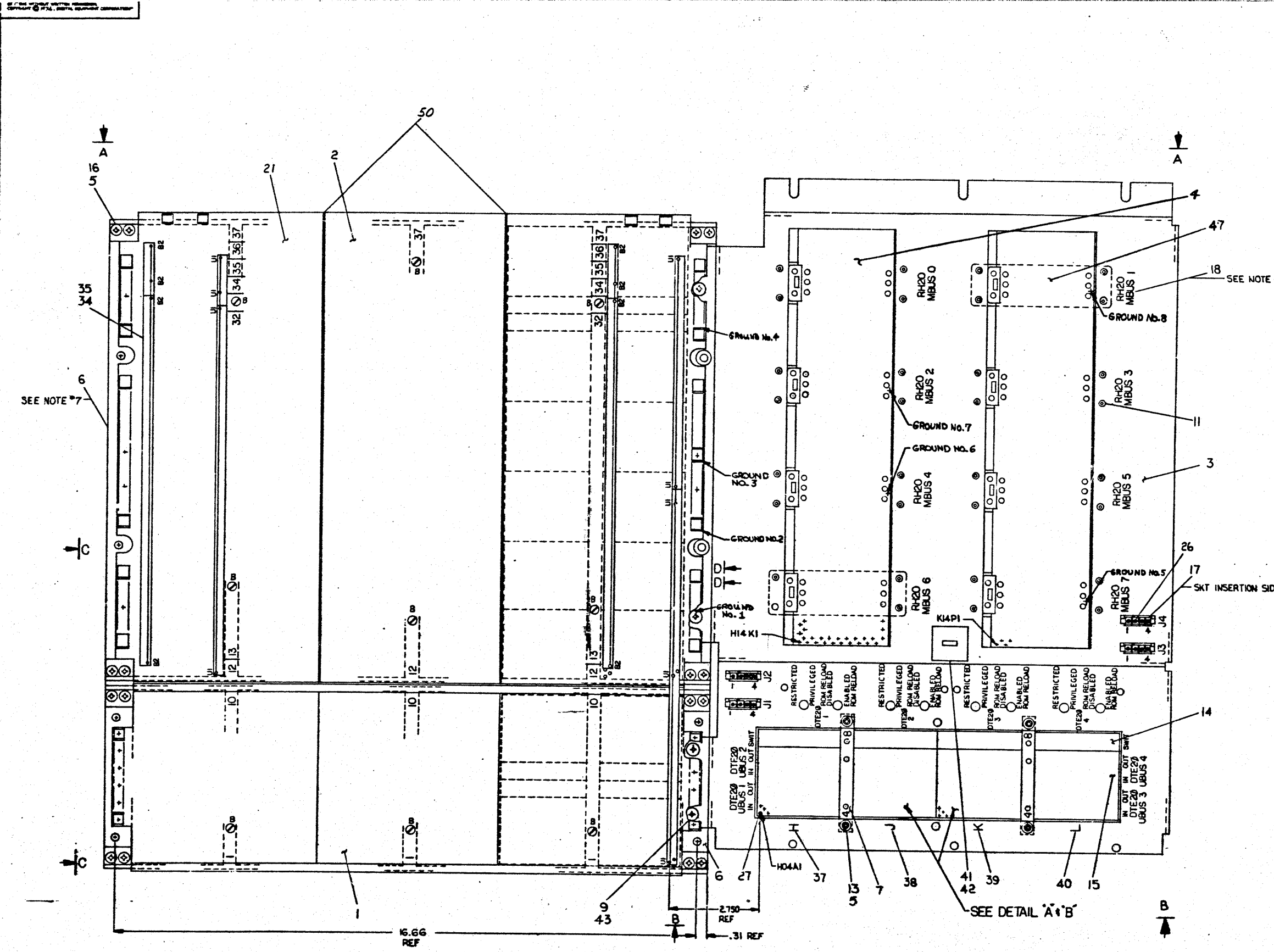
LINE	ITEM	TOP DOCUMENT	PART NUMBER	MIN REV	DESCRIPTION	QTY	PER VARIATION
1	1	E-AD-7012278-0-0	7012278-00		RH20/DTE20 LOGIC ASSY	1	
2	2		9009700-00	A	SCREW,SEMS TRUSS PHIL	10-	14
3	3	D-YA-7426455-0-0	7426455-01	A	CHANNEL,CARD CAGE SPACER RIGHT		1
4	4	D-IA-7426454-0-0	7426454-01	A	CHANNEL,CARD CAGE SPACER LEFT		1
5	5		9007035-00	B	GROMMET,CATERPILLAR POLYAMIDE	A/R	
6	6		9007594-00	A	ADHESIVE,NEOPRENE	A/R	
7	7		7412561-00		DECAL MG10		1
8	8		7426469-01	A	SUPPORT C/C WELDMENT		1

REVISION HISTORY			BASIC PART NO: 7020381				
ENG	ECO NUMBER	REV	SECTION A OF A	DRN:	VICKY GUTBIER	DATE: 13-JUL-83	D I G I T A L
	INITIAL	A	SECTION.VARIATION INDEX	CHK'D:	JEFF HUSON	DATE: 13-JUL-83	TITLE PARTS LIST
			CAJ00				LOGIC ASSY RH20/DTE20
			CBJ	DES.ENG:	ROGER SCOTT	DATE: 14-JUL-83	DOCUMENT NUMBER
			CCJ				SIZE CODE  NUMBER   REV
			CDJ	RESP.ENG.:	ROGRE SCOTT	DATE: 14-JUL-83	K   PL   7020381-0-DBP   A
			CEJ				
			CFJ	MPG.ENG.:	SUE ALMEIDA	DATE: 14-JUL-83	RELEASE DATE:
				ASSEMBLY NUMBER:		TOP DOCUMENT NUMBER:	FILE NAME:
				E-AD-7020381-0-0		K-PL-7020381-0-DBP	27429A.PLS
							EDIT #
							5

"THIS DRAWING AND THE SPECIFICATIONS CONTAINED HEREIN ARE CONFIDENTIAL AND PROPRIETARY. THEY ARE THE PROPERTY OF DIGITAL EQUIPMENT CORPORATION AND SHALL NOT BE REPRODUCED OR COPIED OR USED IN WHOLE OR IN PART AS THE BASIS FOR THE MANUFACTURE OR SALE OF ITEMS WITHOUT WRITTEN PERMISSION. THIS IS AN UNPUBLISHED WORK PROTECTED UNDER THE FEDERAL COPYRIGHT LAWS."

MR





CAUTION:  
OFF SHEETS PARTS LIST EXISTS  
SEE A-PL-7009429-0-0

FIRST USED ON OPTION/MODEL		QTY.	DESCRIPTION	PART NO.	ITEM NO.
KL10					
DIMENSIONAL TOLERANCE					
UNLESS OTHERWISE SPECIFIED					
MILLIMETERS					
ASSEMBLY	DATE	DESIGNER	DATE	TITLE	
DATE	DATE	DATE	DATE	WIRED ASSY	
THIRD ANGLE PROJECTION				NEXT HIGHER ASSY.	
SEE PARTS LIST				E AD 7009429-0-0	
SCALE 1/1				E AD 7009429-0-0	
SHEET 1 OF 3				REV. F	

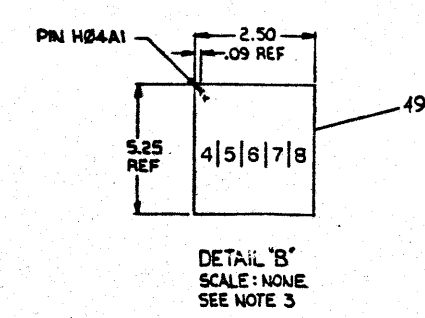
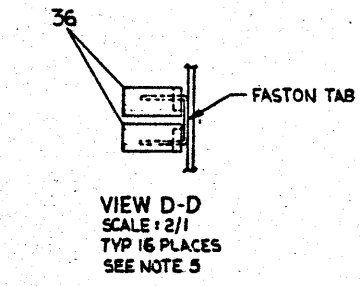
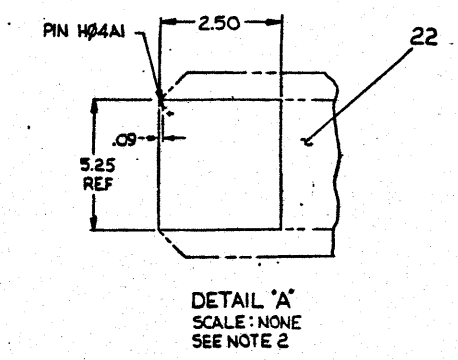
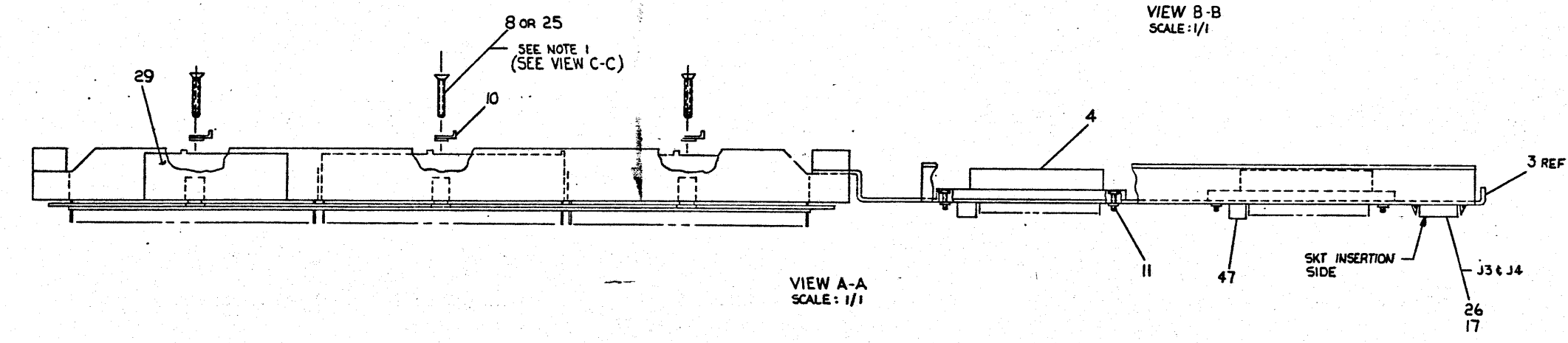
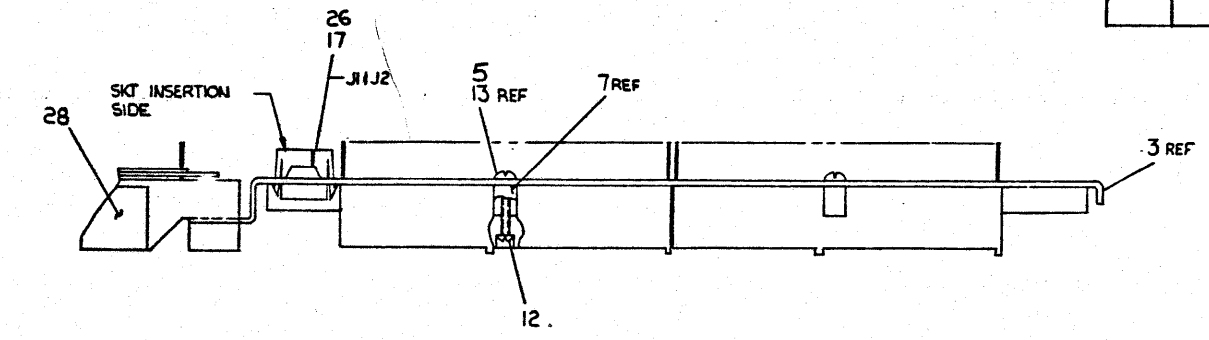
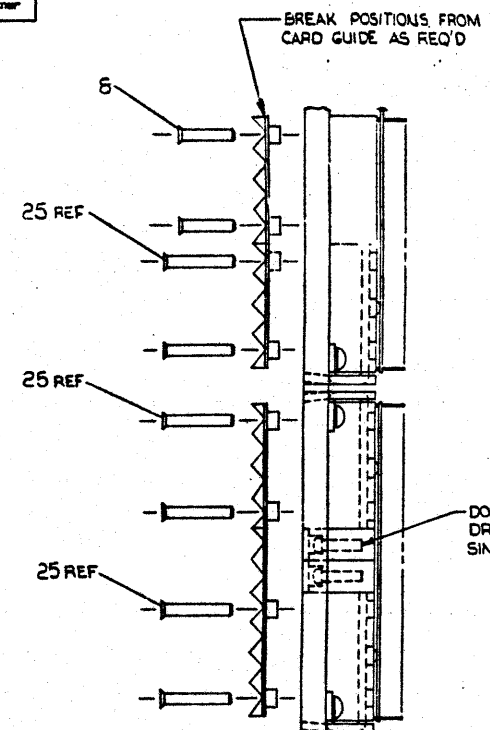
A-PL-7009429-0-0

THIS DRAWING AND SPECIFICATIONS HEREOF ARE THE PROPERTY OF THE GENERAL ELECTRIC COMPANY AND SHALL NOT BE REPRODUCED OR COPIED IN ANY MANNER OR FOR ANY PURPOSE WITHOUT THE WRITTEN PERMISSION OF THE GENERAL ELECTRIC COMPANY.

DO NOT SCALE DRAWING

WIRE TABLE						
ITEM NO	DESCRIPTION	AWG	COLOR	CONN FROM	CONN TO	REMARKS
33	18	RED	J1-1	ITEM 26	2E01L1	ITEM 25 24 +5V
		BLK	J1-2	2E01N2		GND
32	18	WHT	J1-3	2H20N1		SIGNAL
		BLK	J1-4	2H20N2		GND
		RED	J2-1	2A26L1		+5V
33	18	BLK	J2-2	2A26N2		GND
		WHT	J2-3	2J08J2		SIGNAL
		BLK	J2-4	2J08H1		GND
33	18	RED	J3-1	2C06L1		+5V
		BLK	J3-2	2C06N2		GND
		WHT	J3-3	2K08N1		SIGNAL
32	18	BLK	J3-4	2K08N2		GND
		RED	J4-1	2E06L1		+5V
		BLK	J4-2	2E06N2		GND
32	18	WHT	J4-3	2L08J2		SIGNAL
		BLK	J4-4	ITEM 26 2L08H1	ITEM 24 24	GND
45	18	BLK	GND-1	SOLDER	GND-5	ITEM 46 GND
45	18	BLK	GND-2	SOLDER	GND-6	ITEM 46 GND
45	18	BLK	GND-3	SOLDER	GND-7	ITEM 46 GND
45	18	BLK	GND-4	SOLDER	GND-8	ITEM 46 GND

GROUND PIN CHART				
PIN #	PIN #	PIN #	PIN #	PIN #
H04A2	H05A2	H06A2	H07A2	H08A2
H04B2	H05B2	H06B2	H07B2	H08B2
H04C2	H05C2	H06C2	H07C2	H08C2
H04N1	H05N1	H06N1	H07N1	H08N1
H04P1	H05P1	H06P1	H07P1	H08P1
H04R1	H05R1	H06R1	H07R1	H08R1
H04S1	H05S1	H06S1	H07S1	H08S1
H04T1	H05T1	H06T1	H07T1	H08T1
H04V2	H05V2	H06V2	H07V2	H08V2
J04A2	J05A2	J06A2	J07A2	J08A2
J04B2	J05B2	J06B2	J07B2	J08B2
J04C2	J05C2	J06C2	J07C2	J08C2
J04D1	J05D1	J06D1	J07D1	J08D1
J04E1	J05E1	J06E1	J07E1	J08E1
J04F1	J05F1	J06F1	J07F1	J08F1
J04G2	J05G2	J06G2	J07G2	J08G2
J04H2	J05H2	J06H2	J07H2	J08H2
J04I2	J05I2	J06I2	J07I2	J08I2
J04J2	J05J2	J06J2	J07J2	J08J2
J04K2	J05K2	J06K2	J07K2	J08K2
J04L2	J05L2	J06L2	J07L2	J08L2
J04M2	J05M2	J06M2	J07M2	J08M2
J04N2	J05N2	J06N2	J07N2	J08N2
J04O2	J05O2	J06O2	J07O2	J08O2
J04P2	J05P2	J06P2	J07P2	J08P2
J04Q2	J05Q2	J06Q2	J07Q2	J08Q2
J04R2	J05R2	J06R2	J07R2	J08R2
J04S2	J05S2	J06S2	J07S2	J08S2
J04T2	J05T2	J06T2	J07T2	J08T2
J04U2	J05U2	J06U2	J07U2	J08U2
J04V2	J05V2	J06V2	J07V2	J08V2
J04W2	J05W2	J06W2	J07W2	J08W2
J04X2	J05X2	J06X2	J07X2	J08X2
J04Y2	J05Y2	J06Y2	J07Y2	J08Y2
J04Z2	J05Z2	J06Z2	J07Z2	J08Z2
L04A1	L05A1	L06A1	L07A1	L08A1
L04B1	L05B1	L06B1	L07B1	L08B1
L04C1	L05C1	L06C1	L07C1	L08C1
L04D1	L05D1	L06D1	L07D1	L08D1
L04E1	L05E1	L06E1	L07E1	L08E1
L04F1	L05F1	L06F1	L07F1	L08F1
L04G1	L05G1	L06G1	L07G1	L08G1
L04H1	L05H1	L06H1	L07H1	L08H1
L04I1	L05I1	L06I1	L07I1	L08I1
L04J1	L05J1	L06J1	L07J1	L08J1
L04K1	L05K1	L06K1	L07K1	L08K1
L04L1	L05L1	L06L1	L07L1	L08L1
L04M1	L05M1	L06M1	L07M1	L08M1
L04N1	L05N1	L06N1	L07N1	L08N1
L04O1	L05O1	L06O1	L07O1	L08O1
L04P1	L05P1	L06P1	L07P1	L08P1
L04Q1	L05Q1	L06Q1	L07Q1	L08Q1
L04R1	L05R1	L06R1	L07R1	L08R1
L04S1	L05S1	L06S1	L07S1	L08S1
L04T1	L05T1	L06T1	L07T1	L08T1
L04U1	L05U1	L06U1	L07U1	L08U1
L04V1	L05V1	L06V1	L07V1	L08V1
L04W1	L05W1	L06W1	L07W1	L08W1
L04X1	L05X1	L06X1	L07X1	L08X1
L04Y1	L05Y1	L06Y1	L07Y1	L08Y1
L04Z1	L05Z1	L06Z1	L07Z1	L08Z1



REV	CHG	DATE	BY

DIGITAL EQUIPMENT CORPORATION MAYNARD, MASSACHUSETTS			QUANTITY/VARIATION			
PARTS LIST						
MADE BY DATE ENG DATE	V. SOUZA 2/28/75 Luis J. Carpenter 3-24-75	CHECKED DATE PROG DATE	SECTION ISSUED SECT.			
ITEM NO.	DWG NO. / PART NO.	DESCRIPTION				
23	9107302-10	TUBING THIN WALL	AR			
24	9009139	TERMINAL	16			
25	9009665-2	SCR PHL #5 FLAT HD #8-32 X 1.03	32			
26	1209379-02	PIN TERMINAL CONTACT	16			
27	9008499	SOLDER PREFORMS	172			
28	A-DC-7411881-01	DECAL LOGIC ASSY REVISION	1			
29	9009255	LABEL ADHESIVE BACK	1			
30	9107720-09	WIRE INS TWP #30 AWG (BLK/WHT)	AR			
31	9105740-44	WIRE INS SOLID #30 AWG (YEL)	AR			
32	9107430-09	WIRE #18 AWG STRD TWP (BLK/WHT)	AR			
33	9107430-02	WIRE #18 AWG STRD TWP (RED/BLK)	AR			
34	C-MD-7408967-3-0	STRIP INSULATOR	6			
35	9008428	BUS STRIP	AR			
36	9009754	SHIELD WIRE	20			
37	B-DC-5308753-13-0	DECAL 21 POINT LTR (H)	1			
38	B-DC-5308753-15-0	DECAL 21 POINT LTR (J)	1			
39	B-DC-5308753-17-0	DECAL 21 POINT LTR (K)	1			
40	B-DC-5308753-19-0	DECAL 21 POINT LTR (L)	1			
41	9008264	MOUNT, CABLE TIE	1			
42	9007880	CABLE TIE	1			
43	9006635	WASHER, LOCK INT TOOTH #10	4			
44	9107720-69	WIRE, INS TWP #30 AWG (BLU/WHT)	AR			
TITLE	WIRED ASSY RH2#/DTE2#	ASSY NO. E-AD-7009429-0-0	SIZE CODE A PL	NUMBER 7009429-0-0	REV. F	ECO NO.
SHEET 2 OF 3		DIST.		MR		

DEC FORM DEC 16-(325)-1031-N870  
DRA 110

DIGITAL EQUIPMENT CORPORATION MAYNARD, MASSACHUSETTS			QUANTITY/VARIATION			
PARTS LIST						
MADE BY DATE ENG DATE	V. SOUZA 2-28-75 Luis J. Carpenter 3/31/75	CHECKED DATE PROG DATE	SECTION ISSUED SECT.			
ITEM NO.	DWG NO. / PART NO.	DESCRIPTION				
45	9107360-00	WIRE 18 AWG STRANDED (BLK)	A/R			
46	9007970	TERMINAL QUICK CONNECT	4			
47	D-IA-7010211-2-0	CONN ASSY MASSBUS	1			
48	D-WT-KL10-0-AWT3	RH/DTE ASSY PROCEDURE	REF			
49	D-IA-5009936-0-0	GROUND PLANE PROTECTION SHEET	2			
50	9009647	TAPE TRANSPARENT .25W	A/R			
51	9009120-04	STANDOFF NO.6 X.500 LG. BRASS	9			
52	9006024-01	SCR. PHL. PAN HD. 6-32 X 1/2	9			
53	A-SP-3700218-00	PACKAGING INSTRUCTIONS	REF			
TITLE	WIRED ASSY RH2#/DTE2#	ASSY NO. E-AD-7009429-0-0	SIZE CODE A PL	NUMBER 7009429-0-0	REV. F	ECO NO.
SHEET 3 OF 3		DIST.		MR		

DEC FORM DEC 16-(325)-1031-N870  
DRA 110

DIGITAL EQUIPMENT CORPORATION MAYNARD, MASSACHUSETTS			QUANTITY/VARIATION			
PARTS LIST						
MADE BY DATE ENG DATE	V. SOUZA 2/28/75 Luis J. Carpenter 3-24-75	CHECKED DATE PROG DATE	SECTION ISSUED SECT.			
ITEM NO.	DWG NO. / PART NO.	DESCRIPTION				
1	E-AD-7010088-2-0	BACKPLANE ASSY DTE2#	1			
2	E-AD-7009431-3-0	BACKPLANE ASSY RH2#	1			
3	E-IA-7411997-0-0	CONN PANEL I/O	1			
4	D-IA-7010211-1-0	CONN ASSY MASSBUS	1			
5	9006634	WASHER LOCK INT TOOTH #3	20			
6	D-MD-7411998-0-0	BAR BACKPLANE TOP & BOT	2			
7	C-MD-7412121-0-0	BAR CONN PANEL	2			
8	9009070-00	SCR PHL FLAT HD #8-32 X .81	24			
9	9006071-1	SCR PHL PAN HD #10-32 X .375	4			
10	1210698	CARD GUIDE	24			
11	9006390-6	SCR SLOTTED FIL HD #4-40 X .38	32			
12	9006120-6	SCR FIL HD POZ1 DRIVE #8-32 X .62	6			
13	9006039-1	SCR PHL PAN HD #8-32 X .50	4			
14	1211425	CONN BLOCK 72 PIN	2			
15	1210258	CONN BLOCK 288 PIN (H863)	2			
16	9006037-1	SCR PHL PAN HD #8-32 X .38	16			
17	1209350-04	CONN SKT HSG 4 PIN	4			
18	A-DC-7413453-0-0	DECAL DTE/RH2# I/O	2			
19	K-WL-KL10-0-PP	WIRE LIST	REF			
20	A-WT-7009429-0	AWT REVISION STATUS SHEET	REF			
21	D-IA-5009956	GROUND PLANE PROTECTION SHEET	3			
22	D-IA-5009785-03	GROUND PLANE	1			
TITLE	WIRED ASSY RH2#/DTE2#	ASSY NO. E-AD-7009429-0-0	SIZE CODE A PL	NUMBER 7009429-0-0	REV. F	ECO NO. 70002 MRC03
SHEET 1 OF 3		DIST.		MR		

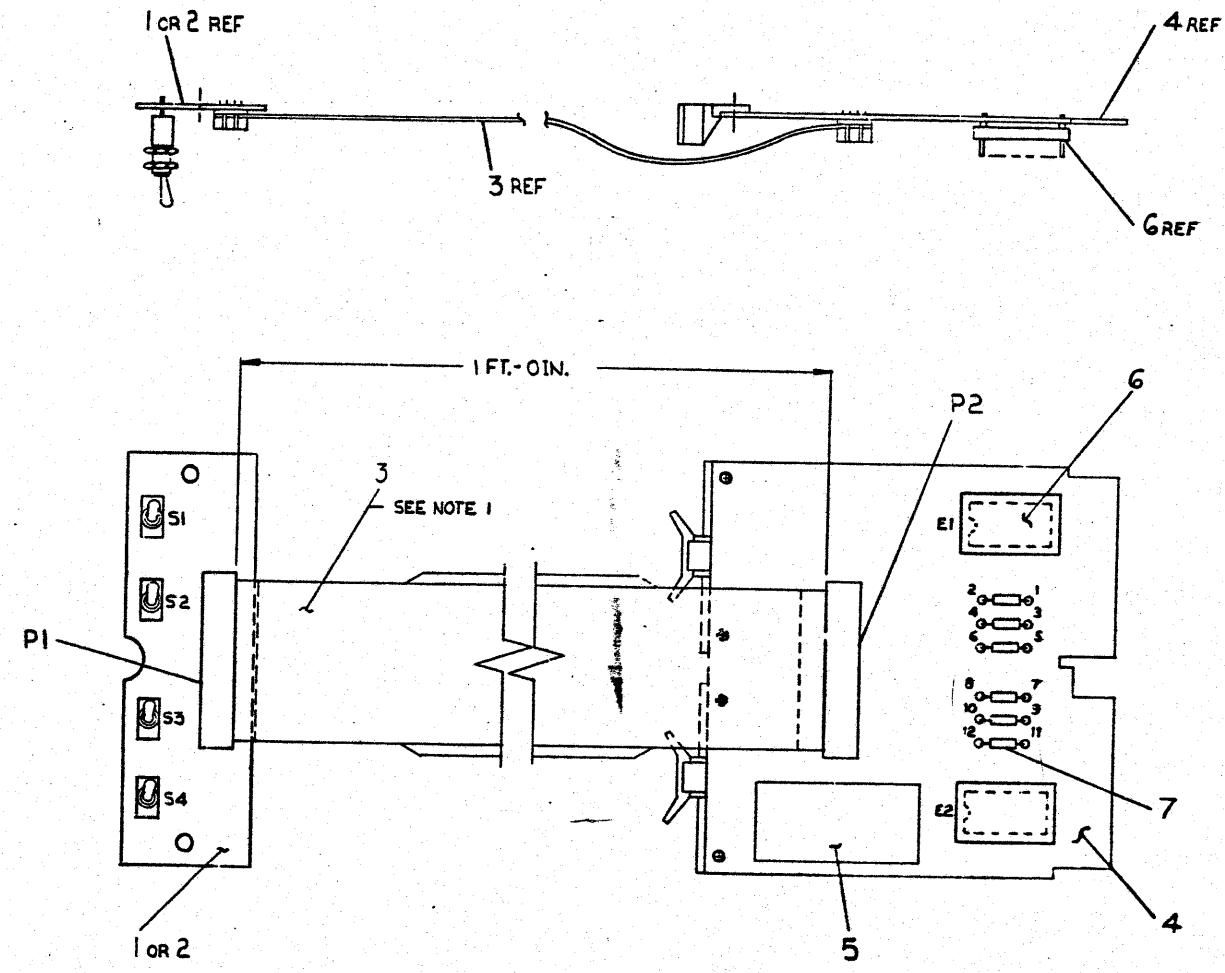
DEC FORM DEC 16-(325)-1031-N870  
DRA 110

THIS DRAWING AND SPECIFICATIONS HEREIN ARE THE PROPERTY OF DIGITAL EQUIPMENT CORPORATION AND SHALL NOT BE REPRODUCED OR COPIED OR USED IN WHOLE OR IN PART AS THE BASIS FOR THE MANUFACTURE OR SALE OF ITEMS WITHOUT WRITTEN PERMISSION. COPYRIGHT © 1974, DIGITAL EQUIPMENT CORPORATION

DO NOT SCALE DRAWING

LEGEND	
NUMBER	VARIATION
7010103-1	1 SWITCH
7010103-2	4 SWITCH

- NOTES:
- CONNECTORS P1 AND P2 TO BE WIRED POINT TO POINT (P1 TO P2)
  - 7010103-1 USES ONLY 1 SWITCH (S2) AND 7010103-2 USES ALL 4 SWITCHES (S1 THRU S4)
  - TRIM AND PREPARE CABLE PER CABLE PROCESS SHEET A-SP-7606435-00
  - TO INSTALL CABLE USE COVER OF CONN. 1210073 (FROM SW. BOARD ASSY REF).
  - SOLDER JUMPERS ITEM 7 TO TERMINALS AS SHOWN.
  - ITEM 6 IS NOT INSTALLED IN E2 WHEN BUILDING 7010103-1.



QTY.	DESCRIPTION	PART NO.	ITEM NO.
6	JUMPER, WHITE INS.	3009185-00	7
2	PLUG, PRIORITY	C-IA-5402780-0-0	6
1	LABEL, ADHESIVE BACK	9009255	5
1	JUMPER, INTERRUPT (DTE 20)	D-UA-M3564-0-0	4
A/R	CABLE, RIBBON, 40 COND.	9107747-01	3
1	SWITCH BOARD	D-UA-5411360-0-3	2
-	SWITCH BOARD	D-UA-5411360-7A-0	

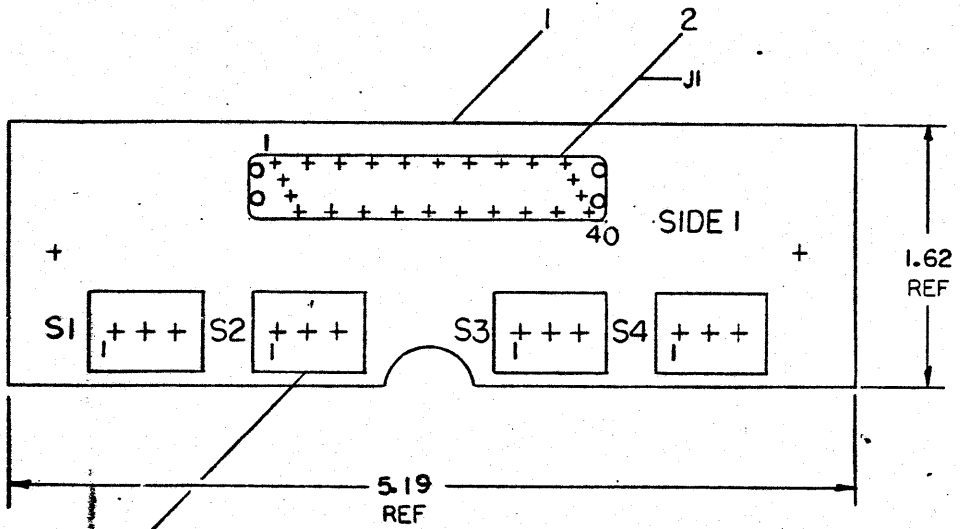
REV.	CHANGE NO.	BY	DATE
1	7010103-00001	J. PROVIDENT	3/28/74
2	7010103-00002	J. PROVIDENT	3/28/74
3	7010103-00003	J. PROVIDENT	3/28/74

QUANTITY VARIATION		QTY.	DESCRIPTION	PART NO.	ITEM NO.
FIRST USED ON OPTION/MODEL					
KL10					
PARTS LIST					
DIMENSIONAL TOLERANCE		DRN.	DATE	digital	
DIMENSIONS ARE INCHES UNLESS OTHERWISE SPECIFIED		CHK'D	DATE		
MILLIMETERS	INCHES	ANGLES	ENG.	DATE	TITLE
XXX ±0.10	JXX ±0.008	±0°30'	PROJ. ENG.	DATE	SWITCH ASSY.
XX ±0.5	JX ±0.02		PROB.	DATE	
X ±2	X ±2.1			DATE	
THIRD ANGLE PROJECTION	REMOVE BURRS AND BREAK SHARP CORNERS SURFACE QUALITY	NEXT HIGHER ASSY.			
MATERIAL SEE PARTS LIST	FINISH	D-UA-KL10-0-0	SIZE CODE	NUMBER	REV.
			D1AD	7010103-0-0	C
SCALE 1:1	SHEET 1 OF 1				



THIS DRAWING AND SPECIFICATIONS HEREBY ARE THE PROPERTY OF DIGITAL EQUIPMENT CORPORATION AND SHALL NOT BE REPRODUCED OR COPIED OR USED IN WHOLE OR IN PART AS THE BASIS FOR THE MANUFACTURE OR SALE OF ITEMS WITHOUT WRITTEN PERMISSION. COPYRIGHT © 1976, DIGITAL EQUIPMENT CORPORATION.

DUA 5411360-0-0 2



DUA 5411360-0-0

REVISIONS		
CHK	CHANGE NO	REV

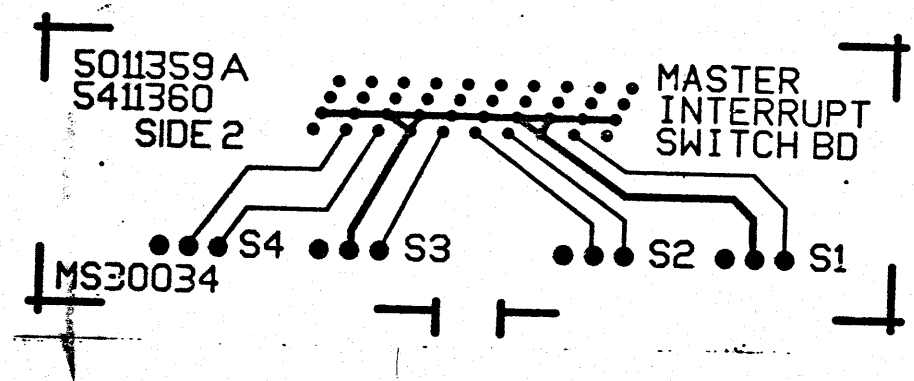
(SIDE 1)

TITLE	SIZE	CODE	NUMBER	REV.
MASTER INTERRUPT SWITCH BD	D	UA	5411360-0-0	
SCALE	SHEET 2	OF 4	DIST.	

DEC FORM NO 3482 11

THIS DRAWING AND SPECIFICATIONS HEREIN ARE THE PROPERTY OF DIGITAL EQUIPMENT CORPORATION AND SHALL NOT BE REPRODUCED OR COPIED OR USED IN WHOLE OR IN PART AS THE BASIS FOR THE MANUFACTURE OR SALE OF ITEMS WITHOUT WRITTEN PERMISSION. COPYRIGHT © 1974, DIGITAL EQUIPMENT CORPORATION.

DUA 5411360-0-0 2



DUA 5411360-0-0

REVISIONS		
CHK	CHANGE NO	REV

(SIDE 2)

TITLE	SIZE CODE	NUMBER	REV.
MASTER INTERRUPT SWITCH BD	D UA	5411360-0-0	
SCALE	SHEET 3 OF 4	DIST	

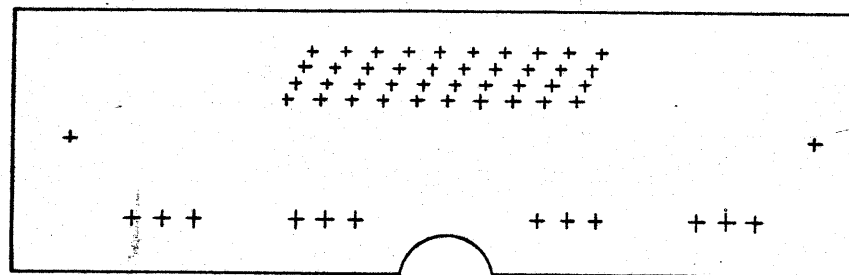


THIS DRAWING AND SPECIFICATIONS HEREIN ARE THE PROPERTY OF DIGITAL EQUIPMENT CORPORATION AND SHALL NOT BE REPRODUCED OR COPIED OR USED IN WHOLE OR IN PART AS THE BASIS FOR THE MANUFACTURE OR SALE OF ITEMS WITHOUT WRITTEN PERMISSION. COPYRIGHT © 1974, DIGITAL EQUIPMENT CORPORATION.

DUA 5411360-0-0 2

D  
C  
B  
A

D  
C  
B  
A



REVISIONS		
CHK	CHANGE NO	REV

(SIDE 2)

TITLE	SIZE CODE	NUMBER	REV.
MASTER INTERRUPT SWITCH BD	DUA	5411360-0-0	
SCALE	SHEET	DIST.	
	4 OF 4		

8

7

6

5

4

3

2

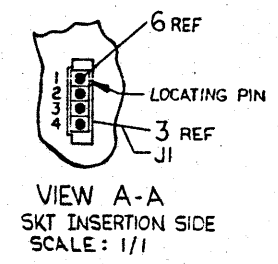
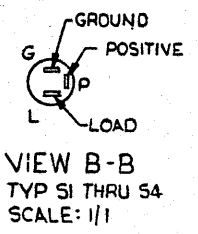
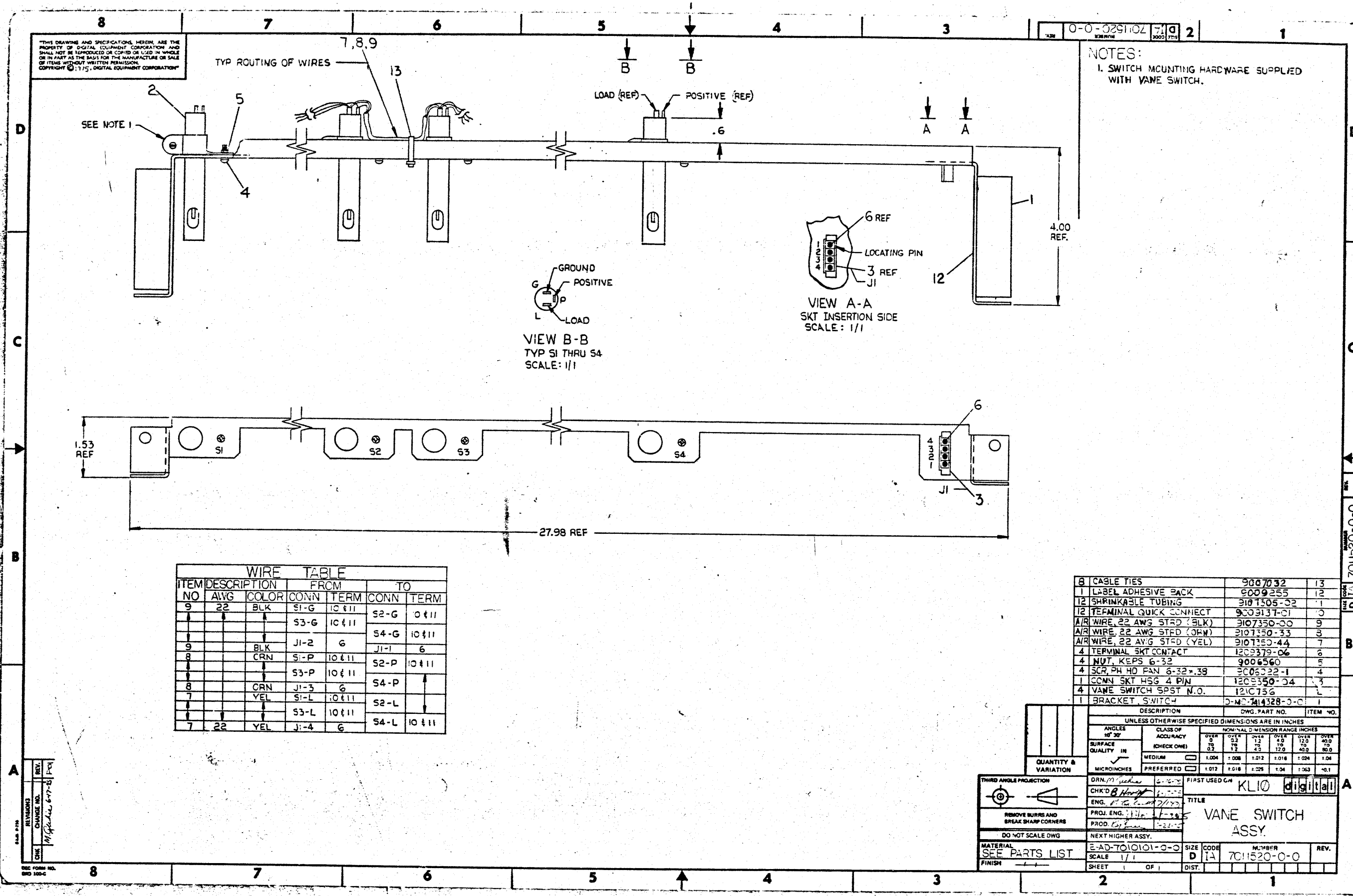
1

DUA 5411360-0-0

THIS DRAWING AND SPECIFICATIONS HEREIN ARE THE PROPERTY OF DIGITAL EQUIPMENT CORPORATION AND SHALL NOT BE REPRODUCED OR COPIED OR USED IN WHOLE OR IN PART AS THE BASIS FOR THE MANUFACTURE OR SALE OF ITEMS WITHOUT WRITTEN PERMISSION. COPYRIGHT © 1975, DIGITAL EQUIPMENT CORPORATION

0-0-029107 710 2

NOTES:  
1. SWITCH MOUNTING HARDWARE SUPPLIED WITH VANE SWITCH.



ITEM NO	DESCRIPTION	FROM	TO
9	22 BLK	S1-G	10 & 11 S2-G
		S3-G	10 & 11 S4-G
9	BLK	J1-2	6
8	CRN	S1-P	10 & 11 S2-P
		S3-P	10 & 11 S4-P
8	CRN	J1-3	6
7	YEL	S1-L	10 & 11 S2-L
		S3-L	10 & 11 S4-L
7	22 YEL	J1-4	6

ITEM NO	DESCRIPTION	DWG. PART NO.	ITEM NO.
8	CABLE TIES	9007032	13
1	LABEL ADHESIVE BACK	9009255	12
12	SHRINKABLE TUBING	9101505-02	1
12	TERMINAL QUICK CONNECT	9003131-01	0
A/R	WIRE, 22 AWG STFD (BLK)	9107350-00	9
A/R	WIRE, 22 AWG STFD (GRN)	9107350-33	8
A/R	WIRE, 22 AWG STFD (YEL)	9107350-44	7
4	TERMINAL SKT CONTACT	1203379-06	6
4	NUT, KEPS 6-32	9006560	5
4	SCR PH HD PAN 6-32 x .39	9003322-1	4
1	CONN SKT HSG 4 PIN	1203350-04	3
4	VANE SWITCH SPST N.O.	1210756	1
1	BRACKET, SWITCH	0-N0-14328-0-0	1

UNLESS OTHERWISE SPECIFIED DIMENSIONS ARE IN INCHES

ANGLES 10° 30'	CLASS OF ACCURACY (CHECK ONE)	NOMINAL DIMENSION RANGE INCHES					
		OVER 0 TO .03	OVER .03 TO .12	OVER .12 TO .43	OVER .43 TO 1.00	OVER 1.00 TO 4.00	OVER 4.00 TO 80.0
SURFACE QUALITY IN	MEDIUM	±.004	±.008	±.012	±.016	±.024	±.04
QUANTITY & VARIATION	PREFERRED	±.012	±.016	±.024	±.04	±.063	±.1

THIRD ANGLE PROJECTION

REMOVE BURRS AND BREAK SHARP CORNERS

DO NOT SCALE DWG

MATERIAL SEE PARTS LIST

FINISH

DRN. *M. [Signature]* 6-75

CHK'D *B. [Signature]* 6-75

ENG. *[Signature]* 7/75

PROJ. ENG. *[Signature]* 7-75

PROD. *[Signature]* 7-75

FIRST USED ON

TITLE

VANE SWITCH ASSY.

NUMBER

701520-0-0

REV.

SCALE 1/1

SHEET OF 1

DIST.

REV. 1  
CHANGE NO. 647-8  
CHK. *[Signature]*

701520-0-0

This drawing and specifications, herein, are the property of Digital Equipment Corporation and shall not be reproduced or copied or used in whole or in part as the basis for the manufacture or sale of items without written permission.

### WIRE TABLE

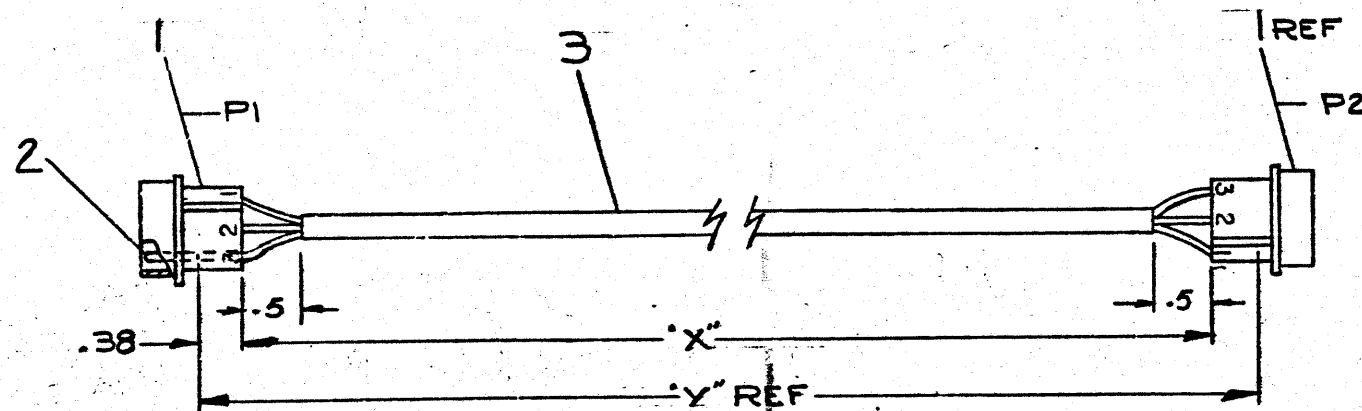
ITEM NO	DESCRIPTION		FROM		TO	
	AWG	COLOR	CONNECTION	WITH	CONNECTION	WITH
3	22	RED	PI-1	2	P2-1	2
3	22	BLK.	PI-2	2	P2-2	2
3	22	GRN	PI-3	2	P2-3	2

### LEGEND

NUMBER	DIM'X VARIATION	DIM'Y (PRECUT) REF
7008288-3P	3FT. 6IN ± 1 IN.	3FT. 6.8 IN ± 1 IN.
7008288-8F	8FT. 6IN ± 2 IN.	8FT. 6.8 IN ± 2 IN.
7008288-06	6FT. ± 2 IN.	6FT. 0.8 IN ± 2 IN.
7008288-12	12FT. ± 3 IN.	12FT. 0.8 IN ± 3 IN.
7008288-05	5FT. ± 1 IN.	5FT. 0.8 IN ± 2 IN.
7008288-10	10FT. ± 2 IN.	10FT. 0.8 IN ± 3 IN.
7008288-15	15FT. ± 3 IN.	15FT. 0.8 IN ± 3 IN.
7008288-08	8FT. ± 2 IN.	8FT. 0.8 IN ± 2 IN.
7008288-30	30FT. ± 7 IN.	30FT. 0.8 IN ± 7 IN.
7008288-40	40FT. ± 10 IN.	40FT. 0.8 IN ± 10 IN.
7008288-25	25FT. ± 10 IN.	25FT. 0.8 IN ± 10 IN.

### NOTES:

~~THE REMAINING BLK WIRE IS TO BE CUT BACK AT JACKET (BOTH ENDS.)~~



REV.	CHANGE NO.	REV.
A	7008288-00001	A
B	7008288-00002	B
C	7008288-00003	C
D	7008288-00004	D
E	7008288-00005	E
F	7008288-00006	F
G	7012401-00003	G
H	7012401-00003	H
J	7008288-ML007	J
	7008288-5/2/80	

FIRST USED ON OPTION/MODEL  
**PDP/11**

UNLESS OTHERWISE SPECIFIED  
DIMENSION IN INCHES  
TOLERANCES  
DECIMALS FRACTIONS ANGLES  
± .005 ± .001 ± 0°30'  
FINAL SURFACE QUALITY REMOVE BURRS AND BREAK SHARP CORNERS

MATERIAL  
SEE PARTS LIST

FINISH #

QTY.	DESCRIPTION	PART NO.	ITEM NO.
6	WIRE, 3 COND #22 AWG	9107756	3
2	PIN MALE #G0620-1	1209378-03	2
2	PIN HOUSING #T-480305-0	1209351-03	1

PARTS LIST

DRN. *J. Glendon* DATE 3/22/71  
CHK'D. *J. Glendon* DATE 3-31-71  
ENG. *E. R. Blasi* DATE 4-7-71  
PROJ. ENG. *E. R. Blasi* DATE 4-9-71  
PROD. *W. Call* DATE 7/2/71

digital EQUIPMENT CORPORATION  
MAYNARD, MASSACHUSETTS

TITLE  
**CABLE ASSY**

SIZE CODE NUMBER REV.  
C IA 7008288-0-0 J

SCALE #  
SHEET 1 OF 1

SIZE CODE NUMBER CTA 7008288-0-0

B

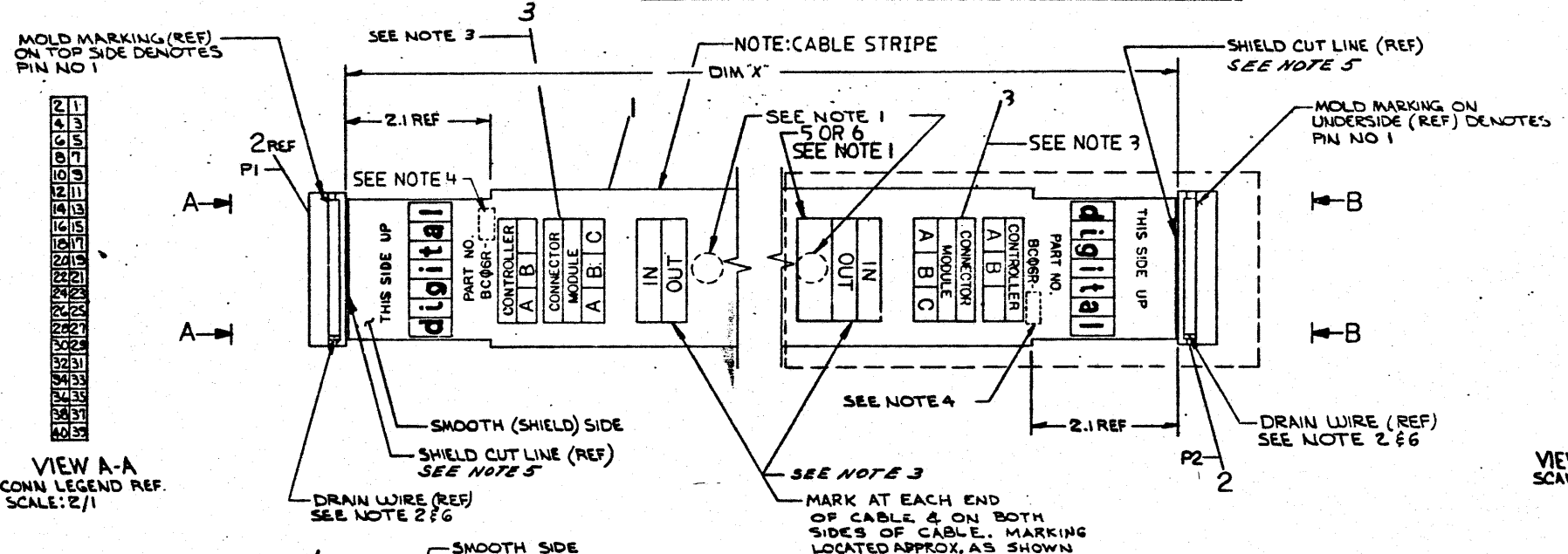
A

This drawing and specifications, herein, are the property of Digital Equipment Corporation and shall not be reproduced or used in whole or in part as the basis for the manufacture or sale of items without written permission.  
 COPYRIGHT © 1975  
 DIGITAL EQUIP CORP.

WIRE TABLE			
FROM	TO	FROM	TO
P1-1	P2-1	P1-21	P2-21
P1-2	P2-2	P1-22	P2-22
P1-3	P2-3	P1-23	P2-23
P1-4	P2-4	P1-24	P2-24
P1-5	P2-5	P1-25	P2-25
P1-6	P2-6	P1-26	P2-26
P1-7	P2-7	P1-27	P2-27
P1-8	P2-8	P1-28	P2-28
P1-9	P2-9	P1-29	P2-29
P1-10	P2-10	P1-30	P2-30
P1-11	P2-11	P1-31	P2-31
P1-12	P2-12	P1-32	P2-32
P1-13	P2-13	P1-33	P2-33
P1-14	P2-14	P1-34	P2-34
P1-15	P2-15	P1-35	P2-35
P1-16	P2-16	P1-36	P2-36
P1-17	P2-17	P1-37	P2-37
P1-18	P2-18	P1-38	P2-38
P1-19	P2-19	P1-39	P2-39
P1-20	P2-20	P1-40	P2-40

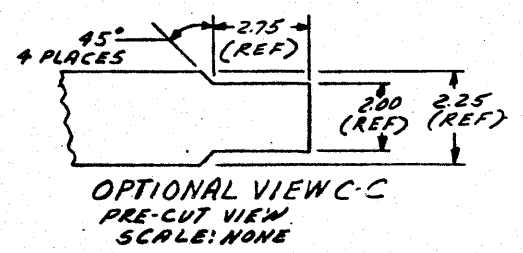
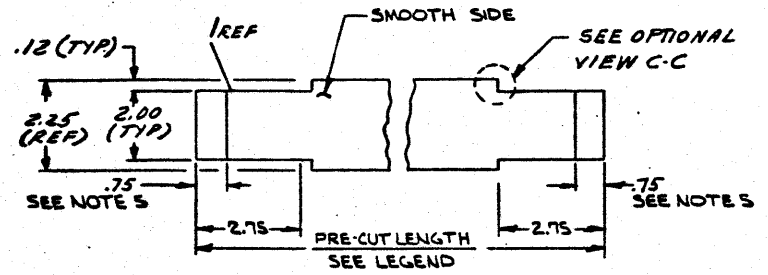
LEGEND			
NUMBER	DIM 'X'	PRECUT LENGTH	REMARKS
BCØGR-Ø11	1 FT	1 FT 1.5 IN ± 1 IN	SEE PRE-CUT VIEW C-C
BCØGR-Ø2	2 FT	2 FT 1.5 IN ± 1 IN	
BCØGR-Ø3	3 FT	3 FT 1.5 IN ± 1 IN	
BCØGR-Ø4	4 FT	4 FT 1.5 IN ± 1 IN	
*BCØGR-Ø5	4 FT 6 IN	4 FT 7.5 IN ± 1.5 IN	SEE NOTE 7
*BCØGR-Ø6	6 FT	6 FT 1.5 IN ± 2 IN	
BCØGR-Ø8	8 FT	8 FT 1.5 IN ± 2 IN	
BCØGR-10	10 FT	10 FT 1.5 IN ± 2 IN	
BCØGR-12	12 FT	12 FT 1.5 IN ± 3 IN	
BCØGR-20	20 FT	20 FT 1.5 IN ± 3 IN	
BCØGR-25	25 FT	25 FT 1.5 IN ± 3 IN	
BCØGR-30	30 FT	30 FT 1.5 IN ± 6 IN	
BCØGR-50	50 FT	50 FT 1.5 IN ± 1 C FT	
BCØGR-60	60 FT	60 FT 1.5 IN ± 1.2 FT	
BCØGR-75	75 FT	75 FT 1.5 IN ± 1.5 FT	
BCØGR-A0	100 FT	100 FT 1.5 IN ± 2 FT	
BCØGR-Ø7	7 FT	7 FT 1.5 IN ± 2 IN	
BCØGR-ØF	Ø FT 6 IN	Ø FT 7.5 IN ± 1 IN	SEE PRE-CUT VIEW C-C
BCØGR-15	15 FT	15 FT 1.5 IN ± 3 IN	
BCØGR-1C	15 IN	16.5 IN ± 1 IN	SEE PRE-CUT VIEW C-C
BCØGR-1K	1 FT 9 IN	1 FT 10.5 IN ± 1 IN	SEE PRE-CUT VIEW C-C

- NOTES:
- LABEL (ITEMS 5 OR 6 CAN BE USED) TO CONTAIN:  
 PART NO.  
 REV.  
 DATE (OF BUILD)  
 MFG (STAMP) TEST (STAMP)  
 INSP (STAMP)  
 AFFIX LABEL AROUND CABLE IN APPROX CENTER.
  - DRAIN WIRE CONNECTS TO PIN NO 40.
  - RUBBER STAMP INFORMATION SHOWN USING INK (ITEM 3) & ARTWORK DEC NO A-DC-7411699-0-0.
  - STAMP APPLICABLE OPTION DASH NO. ACCORDING TO LENGTH.
  - REMOVE SHIELD .75 FROM END OF PRECUT CABLE (SEE VIEW C-C).
  - COVER EXPOSED DRAIN WIRE WITH ITEM 4 PRIOR TO ASSY (BOTH ENDS).
  - FOR RPØ4, RPØ5, RPØ6 USE WRAP AROUND VINYL LABEL. SEE VARIATIONS ON DRAWING NUMBER A-PS-3615389-0-0. ALSO SEE NEXT HIGHER ASSEMBLY E-IA-7009807-0-0 AND E-IA-7009808-0-0.



VIEW A-A  
 CONN LEGEND REF.  
 SCALE: 2/1

VIEW B-B  
 SCALE: 2/1



CAUTION: OFF SHEET PARTS LIST EXISTS. SEE: K-PL-BCØ6R-Ø-DBP (Z 6996)

REV	CHG	BY	DATE	DESCRIPTION
A				
B				
C				
D				
E				
F				
G				
H				
I				
J				

FIRST USED ON OPTION/MODEL	QTY.	DESCRIPTION	PART NO.	ITEM
PARTS LIST				
UNLESS OTHERWISE SPECIFIED DIMENSIONS IN INCHES TOLERANCES				
DECIMALS	ANGLES	TITLE		
XXX - .005	XX - .02	BCØ6R I/O CABLE		
X - .1	Ø - .015	SIZE CODE		
REMOVE BURRS AND BREAK SHARP CORNERS SURFACE QUALITY		NUMBER		
MATERIAL		REV.		
SEE PARTS LIST		DUA BCØ6R-Ø-Ø		
FINISH		SHEET 1 OF 1		

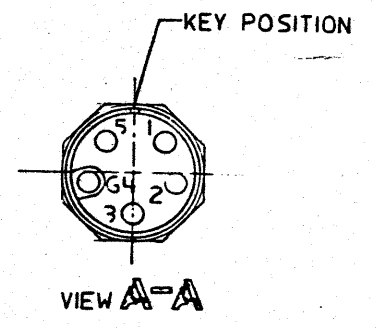
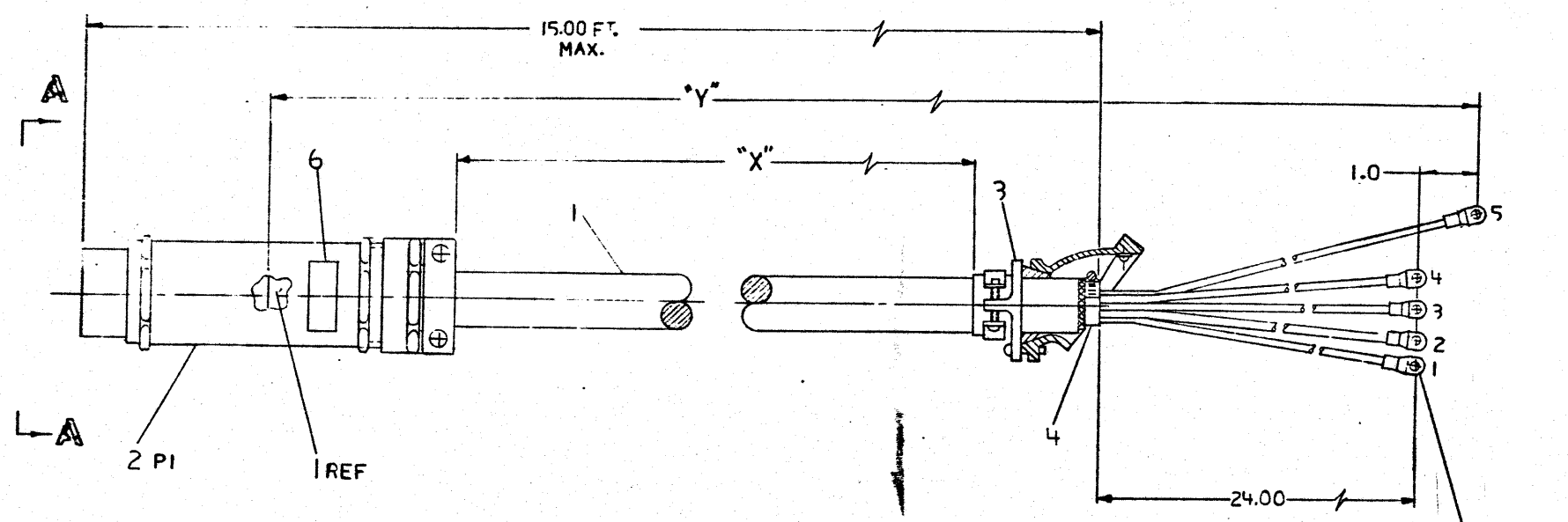
DRAWING NUMBER: DUA-BCØ6R-Ø-Ø

DRAWING NUMBER: 1 of 1

THIS DRAWING AND SPECIFICATIONS HEREIN ARE THE PROPERTY OF DIGITAL EQUIPMENT CORPORATION AND SHALL NOT BE REPRODUCED OR COPIED OR USED IN WHOLE OR IN PART AS THE BASIS FOR THE MANUFACTURE OR SALE OF ITEMS WITHOUT WRITTEN PERMISSION. COPYRIGHT © 1983 DIGITAL EQUIPMENT CORPORATION

WIRE TABLE								
ITEM NO.	DESCRIPTION	FROM	TO					
NO.	AWG	COLOR	POINT	CONNECTION	WIT	POINT	CONNECTION	WIT
1	4	BRN	PI-1			1		5
2	4	BLK	-2			2		5
3	4	ELK/WH	-3			3		5
4	4	BLU	-5			4		5
5	4	GRN/YEL	PI-G4			5		5

LEGEND			
PART. NO.	DIM "X" VAR	DIM "Y" (PRE-CUT) REF	REV
7020715-01	13FT, 0IN ± 3.0IN	16FT, 1IN	A1



CAUTION: OFF SHEET PARTS LISTS EXISTS  
SEE K-PL-7020715-0-DBP

DESCRIPTION	DRAWING NO.	PART NO.	ITEM NO.
UNLESS OTHERWISE SPECIFIED DIMENSIONS ARE IN INCHES AND THE FOLLOWING TOLERANCES APPLY (PER DEC STD 114)			
INCHES TOLERANCES	ANGLES ± 0° 30'	DIMENSION RANGE IN INCHES	
XX = ± .02	SURFACE QUALITY	APPLICABLE DIMENSION RANGE	OVER TO
XXX = ± .005	✓	(CHECK ONE)	OVER TO
	MICROINCHES	0.2 TO 1.2	1.2 TO 4.0
		1.2 TO 4.0	4.0 TO 12.0
		4.0 TO 12.0	12.0 TO 48.0
		12.0 TO 48.0	48.0 TO 80.0
		80.0 TO 120.0	120.0 TO 240.0
		120.0 TO 240.0	240.0 TO 480.0
		240.0 TO 480.0	480.0 TO 960.0
THIRD ANGLE PROJECTION	DRN B. E. Olson	DATE 25 FEB 83	TITLE digital
DO NOT SCALE DRAWING	CHKD W. WUSTICH	DATE 2-23-83	CABLE PRIMARY PWR
REMOVE BURRS AND BREAK SHARP CORNERS	DES. ENG. [Signature]	DATE 2-27-83	(60HZ KLIOR)
SEE PARTS LIST	RESP. ENGR. [Signature]	DATE 5-27-83	DOCUMENT NUMBER
FINISH --	MFG. ENG. [Signature]	DATE 7-5-83	DIA 7020715-0-0 A
	HEET NUMBER	SCALE NONE	SHEET 1 OF 1

DIA 7020715-0-0 A



# DIGITAL EQUIPMENT CORPORATION PARTS LIST

MADE BY DATE	J. HUSON 26 OCT 83	CHECKED DATE	J. HUSON 26 OCT 83	SECTION A
ENG DATE	R. SCOTT 26 OCT 83	PROD DATE		ISSUED SECTION A

### QUANTITY / VARIATION

NOTES:

ITEM NO.	DRAWING NO.	PART NO.	DESCRIPTION	QUANTITY / VARIATION										REF DESIGNATION		
				KL10-RA	KL10-RC	KL10-RE										
21	MD-10-DGYBB-*YB		KL10 SYSTEM CUSP DISKETTE #2	1	1	1										
22	MD-10-DKYCA-*YB		KL10 DTE20 & E-BOX CUSP DISKETTE	1	1	1										
23	MD-10-DHYKF-*YB		KL10 FUNCTIONAL DTE20 INTERFACE	1	1	1										
24		ZT101-RL	TOPS-20 KLAB PACK KIT	1	-	-										
25		ZH215-RL	TOPS-10 KLAB PACK KIT	-	1	1										
26	EK-0KL10-MP-001		KL10 BLOCK DIAGRAMS	1	1	1										
27		LA120-DA	LA120-BA WITH H7150 POWER SUPPLY	1	1	1										
28		3700738-01	PACKAGING INSTRUCTION	3	3	3										
29		MP-ODB11-A0	DB11-A CUSTOMER PRINT SET DB11-A	1	1	1										

E.C.O. NO.	"THIS DRAWING AND SPECIFICATIONS, HEREIN, ARE THE PROPERTY OF DIGITAL EQUIPMENT CORPORATION AND SHALL NOT BE REPRODUCED OR COPIED OR USED IN WHOLE OR IN PART AS THE BASIS FOR THE MANUFACTURE OR SALE OF ITEMS WITHOUT WRITTEN PERMISSION. COPYRIGHT © 1983 DIGITAL EQUIPMENT CORPORATION"	TITLE SHIP LIST KL10-R	ASSY NO.	SIZE <b>B</b>	CODE <b>PL</b>	NUMBER KL10-R-SH	REV. A
	DRB 125			SHEET 2 OF 2	INSERTION PARTS LIST DATA BASE REV		



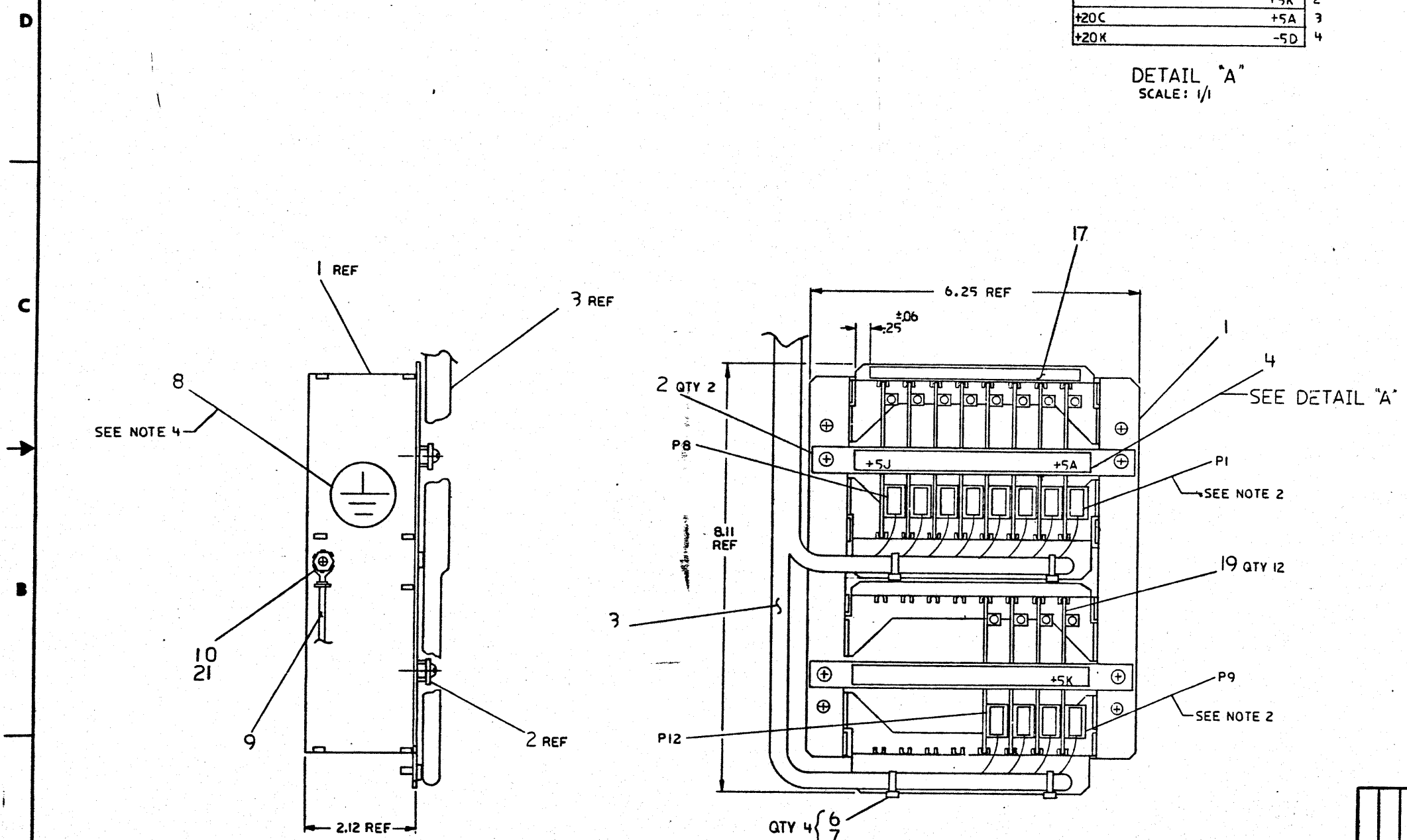
THIS DRAWING AND SPECIFICATIONS HEREOF ARE THE PROPERTY OF DIGITAL EQUIPMENT CORPORATION AND SHALL NOT BE REPRODUCED OR COPIED IN WHOLE OR IN PART AS THE BASIS FOR THE MANUFACTURE OR SALE OF ITEMS WITHOUT WRITTEN PERMISSION.  
COPYRIGHT © 1960, DIGITAL EQUIPMENT CORPORATION

LEGEND	
PART NO.	VARIATION
7018288-00	USES 5414506-00 (NOT USED)
7018288-01	USES 5414506-01

4 REF		SEE NOTE 1
+5J	+5A	1
	+5K	2
+20C	+5A	3
+20K	-5D	4

- NOTES:**
1. PEEL OFF STRIPS 1 & 2 OF ITEM 4 AND LOCATE AS SHOWN ON FRONT PLATE (ITEM 2).
  2. INSTALL HARNESS CONNECTORS P1 THRU P8 AS SHOWN, TO TOP ROW OF VOLTAGE MONITOR BOARD (ITEM 19). INSTALL HARNESS CONNECTORS P9 THRU P12 AS SHOWN, TO BOTTOM ROW OF VOLTAGE MONITOR BOARD.
  3. ITEM 18, 12, 13, 14, 15, 8, 20 (QTY 1) ARE SHIPPED LOOSE PIECE AND USED FOR INSTALLATION. FOR INSTALLATION PROCEDURE SEE ITEM 16 (A-SP-7018288-0-1). SEE ITEM 11 FOR PACKAGING KIT.
  4. GROUND DECAL (ITEM 8) IS USED BOTH AT ASSEMBLY AND AT INSTALLATION. ONE IS TO BE SHIPPED PER NOTE 3.
  5. FOR USE OF ITEM 20, TAB TERMINATOR, SEE INSTALLATION PROCEDURE.

DETAIL "A"  
SCALE: 1/1



**CAUTION:** OFF SHEET PARTS LIST EXIST  
SEE K-PL-7018288-0-DBP

REV.	CHG.	CHANGE NO.	DATE
B		1	7 MAR 62
A		1	4/2/62

QUANTITY & VARIATION		DESCRIPTION	DWG./PART NO.	ITEM NO.
QTY 4	6	ASSY, DC VOLTAGE MONITOR I/O #1	D-1A-KL10-E-0	1 MR

ANGLES	CLASS OF ACCURACY	NOMINAL DIMENSIONS RANGE (INCHES)				
±30°	(CHECK ONE)	OVER 0	OVER 1.2	OVER 2.5	OVER 4.0	OVER 6.0
		TO 1.2	TO 2.5	TO 4.0	TO 6.0	TO 9.0
SURFACE QUALITY	IN	1.004	1.008	1.012	1.016	1.020
		1.012	1.016	1.020	1.024	1.028

MATERIAL	SCALE	FINISH	SIZE CODE	NUMBER	REV.
SEE PARTS LIST	FULL	NONE	D	AD 7018288-0-0	B

LINE ITEM	DOCUMENT NUMBER	PART NUMBER	DESCRIPTION	QUANTITY PER VARIATION	
				00	01
1	D-IA-7018180-0-0	7018180-00	WELDMENT, CARD CAGE	1	1
2	C-IA-7424854-0-0	7424854-00	PLATE, FRONT	2	2
3	J-IA-7018286-0-0	7018286-00	HARNES I/O SHORT	1	1
4		3617588-00	LABEL, DCV MONITOR	1	1
5		5414506-00	VOLTAGE MONITOR BOARD	12	-
6		9007867-00	MOUNT, PUSH, CABLE TIE	4	4
7		9007031-00	TIE, CABLE BUNDL. DIA 0- 3/4"=101	4	4
8		3613272-00	LABEL, ADH BACK, MYLAR CAP	2	2
9		1213756-12	GROUND STRAP	1	1
10		9006563-00	NUT, KEP 8-32X 11/13AF	1	1
11		3700599-00	PKG KIT DC VOLTAGE MONITOR	1	1
12		9007786-00	RETAINER, U-NUT, 10-32	2	2
13		9006073-03	SCREW, TRUS, PHIL, 10-32X 1/2	3	3
14		9007651-00	WASHER, LOCK, EXTERNAL TOOTH #10	4	4
15		9006565-00	NUT, KEP 10-32X 3/8 AF	1	1
16	A-SP-7018288-0-1	7018288-00	MONITOR DC VOLT I/O NO. 1 ASSY.	REF	REF
17		3617997-01	LABEL, DIB20 OPTION VOLTAGES	1	1
18		9007032-00	TIE, CABLE BUNDL. DIA 0-1-3/4"=101	25	25
19		5414506-01	VOLTAGE, MONITOR BOARD	-	12
20		9009110-00	TERM, TAB .365TAB 2POS	-	4
21		9008151-00	WASHER, LOCK, EXT. TOOTH #8	1	1

REVISION HISTORY			BASIC PART NO: 7018288		DRM: JIM SICARD		DATE: 30-JUN-80		DIGITAL		
ENGR	ECO NUMBER	REV	SECTION A OF A	CHK'D:	J. HUSON	DATE:	17-JUL-80	FILE	PARTS LIST		
	INITIAL	A	SECTION. VARIATION INDEX								
BW	KL10-E-MR017	B	CAJ 00,01					ASSY, DC VOLTAGE MONITOR I/O #1			
			[B]	DES. ENG.:	P. PORRECA	DATE:	17-JUL-80				
			[C]	RESP. ENG.:	P. PORRECA	DATE:	17-JUL-80			DOCUMENT NUMBER	
			[D]					SIZE CODE	NUMBER	REV	
			[E]	MPG. ENG.:	M. CAPPELLO	DATE:	12-SEP-80	K	PL	7018288-0-DBP	B
			[F]	ASSEMBLY NUMBER:		TOP DOCUMENT NUMBER:		FILE NAME:		EDIT #	
				ID-AD-7018288-0-0		ID-UA-KL10-E-0		Z1166B.PLS		3	

"THIS DRAWING AND SPECIFICATIONS HEREIN, ARE THE PROPERTY OF DIGITAL EQUIPMENT CORPORATION AND SHALL NOT BE REPRODUCED OR COPIED OR USED IN WHOLE OR IN PART AS THE BASIS FOR THE MANUFACTURE OR SALE OF ITEMS WITHOUT WRITTEN PERMISSION. COPYRIGHT (C) 1982. DIGITAL EQUIPMENT CORPORATION"

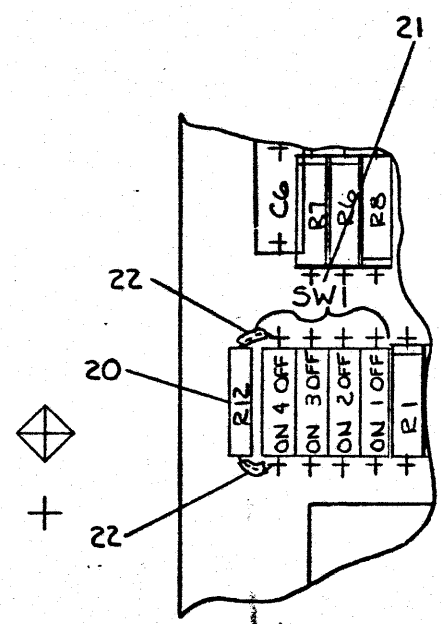
MR

THIS DRAWING AND SPECIFICATIONS, HEREIN, ARE THE PROPERTY OF DIGITAL EQUIPMENT CORPORATION AND SHALL NOT BE REPRODUCED OR COPIED IN WHOLE OR IN PART OR BE USED FOR THE MANUFACTURE OR SALE OF ITEMS WITHOUT WRITTEN PERMISSION.  
 DIGITAL EQUIPMENT CORPORATION

COMPONENT SIDE VIEW

**REWORK INSTRUCTIONS**  
 INITIAL RELEASE  
 COMPONENT ADDS SIDE 1 AS SHOWN  
 O-1 SWI (P/N 121164-00, SW DIP 1A 4POS)  
 A. CLIP OFF BOTH LEADS OF SWI-4  
 FLUSH WITH SWITCH BODY  
 B. INSERT SWITCH INTO 6 PIN'S AT  
 AT THE TOP RI.  
 O-2 R12 (P/N 1300447, 4.70K .25W 5.0%)  
 A. ADD TEFLON THIN WALL TUBING  
 (P/N 9107807-11 TO BOTH LEADS.  
 B. INSERT R12 INTO 2 PTH'S BENEATH  
 SWI-4

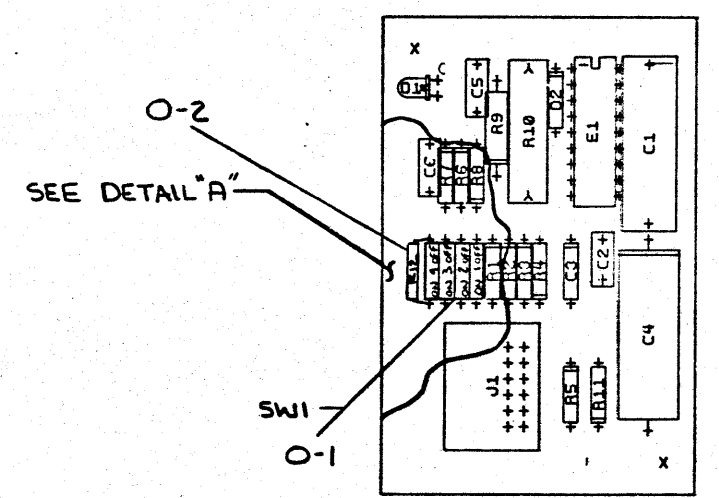
NOTE: DIRECTIONS ARE GIVEN WITH  
 RESPECT TO MODULE BEING  
 POSITIONED WITH CONNECTOR  
 J1 TOWARD USER.  
 INDICATE MODULE REVISION AS "A"



**SWITCH SWI**

SWITCH POSITION	VOLTAGE
1	OFF OFF ON
2	OFF DN OFF
3	ON OFF OFF
4	NOT USED

DETAIL "A"  
 INSTALLED SWITCH (SWI)



NOTES: 2ML74

STEP 1	→ Y AXIS	25	STEP 3	TIMES
REPEAT	→ X AXIS	25	STEP 4	TIMES

CHK	CHANGE NO	REV

ETCH REV.	

SIGNATURES	DATE	digital
DRN. <i>[Signature]</i>	10/28/71	
CHK'D. <i>[Signature]</i>	10/28/71	TITLE VOLTAGE
MECH. ENG. <i>[Signature]</i>	10/28/71	MONITOR EC-RL
PROJ. ENG. <i>[Signature]</i>	10/28/71	
PROD. <i>[Signature]</i>	10/28/71	
SCALE 2:1	SIZE CODE	NUMBER
SHT. 1 OF 1	DUA	541506-1-0
NEXT HIGHER ASSY. B 00 5 111502-1		REV

LINE ITEM	DOCUMENT NUMBER	PART NUMBER	DESCRIPTION	QTY PER VARIATION 01	REFERENCE DESIGNATOR
1	D-MD-5014505-0-0	5014505-00	DRILL AND ETCH BRD.	1	
2		1000075-00	25 MFD 25V +75-10% AL EL	1	C1
3		1000004-00	.02 MFD 100V 20% Z5U DISC	1	C2
4		1001610-00	.01 MFD 50V +80-20% Z5U CER	1	C3
5		1000080-00	50 MFD 50V +75-10% AL EL	1	C4
6		1010274-01	.22 MFD 50V +80-20% Z5U CER	2	C5,C6
7		1117373-00	LED ASSY GREEN	1	D1
8		1105796-00	1N 4004 PIV=400 I= 1A D041 SP	1	D2
9		1217652-00	HEADER 12PIN RT ANGLE, DBL RO	1	J1
10		1317925-00	6.98 K .25 W .10% RN55E-B 2	1	R1
11		1317924-00	36.50 K .25 W .10% RN55E-B 2	1	R2
12		1317923-00	51.10 K .25 W .10% RN55E-B 2	1	R3
13		1317922-00	732.0 .25 W .10% RN55E-B 2	1	R4
14		1305355-00	7.0 K .25 W .10% RN55C-B 5	1	R5
15		1300365-00	1.0 K .25 W 5.0 % CC	2	R6,R7
16		1300250-00	150.0 .25 W 5.0 % CC	1	R8
17		1300347-00	680.0 .50 W 5.0 % CC	1	R9
18		1300368-00	1.0 K 1.0 W 5.0 % CC	1	R10
19	SEE NOTE #1	1917657-00	3544J LOW-VOLT SUPERVISORY	1	E1
20		1300447-00	4.70 K .25 W 5.0 % CC	2	R11,R12
21		1211164-00	SW,DIP 1P 1A 4POS	1	SW1
22		9107807-11	TURING, THIN WALL, .022ID UL A/R		

23 NOTE: 1. THIS PART CAN BE MARKED SG2544J/DEC3544J.

REVISION HISTORY		BASIC PART NO: 5414506		DRN: M, NORMAND	DATE: 22-SEP-81	DIGITAL		
ENG	ECO NUMBER	REV	SECTION A OF A	CHK'D: R, W, CAUNTER	DATE: 1-OCT-81	PARTS LIST		
	INITIAL	A	SECTION VARIATION INDEX			TITLE		
			[A] 01			5414506-01		
			[B]			VOLTAGE MONITOR BOARD		
			[C]	DES, ENG: R, JOSEPHSON	DATE: 1-OCT-81	DOCUMENT NUMBER		
			[D]			SIZE CODE NUMBER REV		
			[E]	RESP, ENG: R, JOSEPHSON	DATE: 1-OCT-81	5414506-1-DBP A		
			[F]			FILE NAME: EDIT #		
			[H]	MFG, ENG: T, CAVANAUGH	DATE: 1-OCT-81	23208A.PLS 4		
			[J]					
			[K]	ASSEMBLY NUMBER: D-UA-5414506-1-0	TOP DOCUMENT NUMBER: B-DD-54145-5-1			
			[L]					
			[M]					
			[N]					

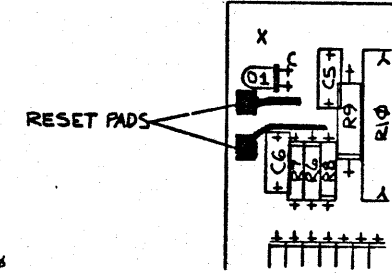
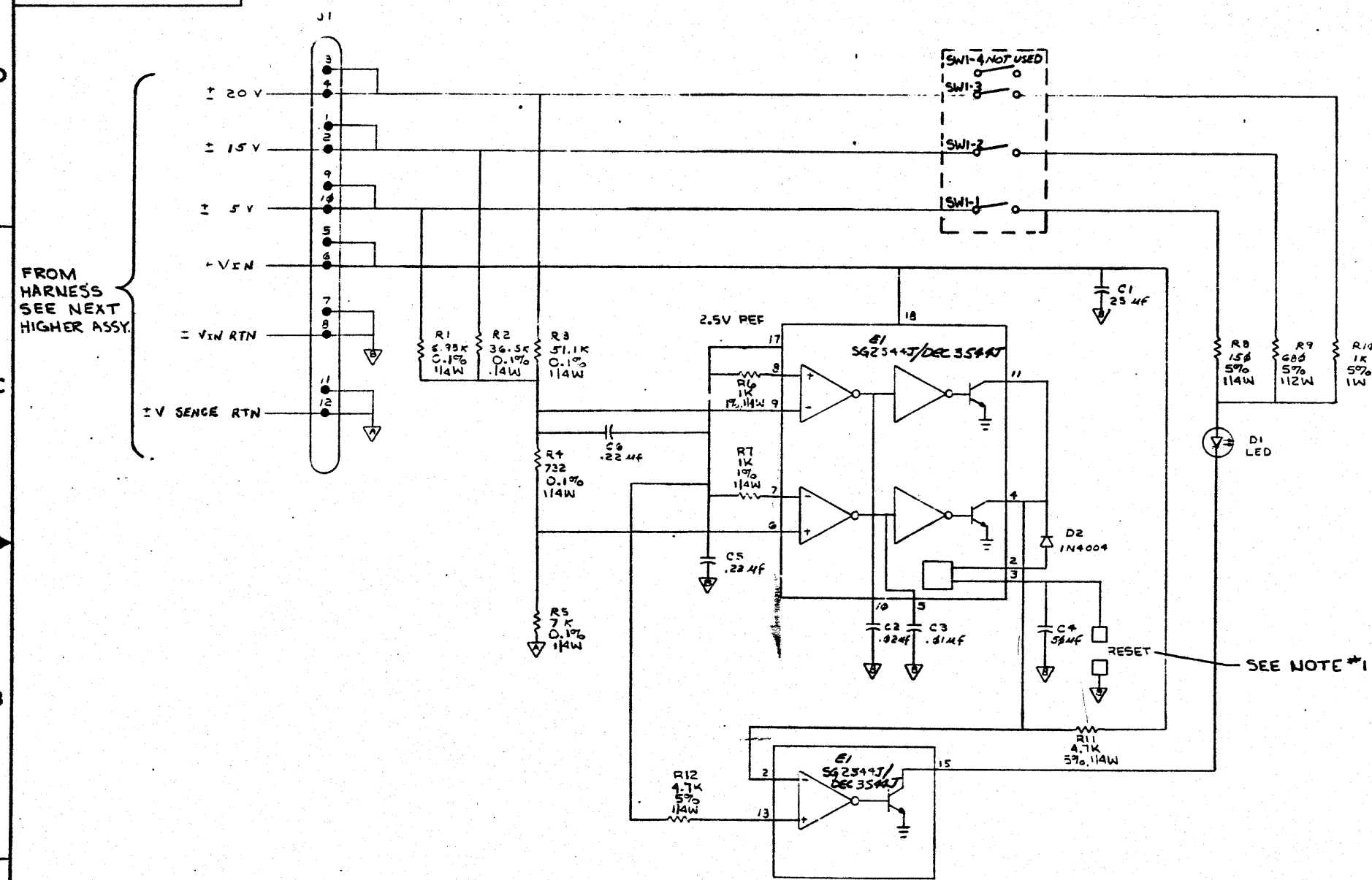
"THIS DRAWING AND SPECIFICATIONS HEREIN, ARE THE PROPERTY OF DIGITAL EQUIPMENT CORPORATION AND SHALL NOT BE REPRODUCED OR COPIED OR USED IN WHOLE OR IN PART AS THE BASIS FOR THE MANUFACTURE OR SALE OF ITEMS WITHOUT WRITTEN PERMISSION. COPYRIGHT (C) 1981, DIGITAL EQUIPMENT CORPORATION"

MR

THIS DRAWING AND SPECIFICATIONS, HEREIN, ARE THE PROPERTY OF DIGITAL EQUIPMENT CORPORATION AND SHALL NOT BE REPRODUCED OR COPIED OR USED IN WHOLE OR IN PART AS THE BASIS FOR THE MANUFACTURE OR SALE OF ITEMS WITHOUT WRITTEN PERMISSION.  
 COPYRIGHT © 1981, DIGITAL EQUIPMENT CORPORATION

1-1-9069CS  
 11/18/81  
 2003 12/81

NOTES:  
 1. JUMPER PADS TOGETHER TO RESET INDICATOR. RESET IS ALSO PROVIDED BY REMOVAL OF ALL JUMPER POWER TO THE MODULE. RESET JUMPER MUST BE LESS THAN 100 OHMS MAXIMUM.



SWITCH POSITION	VOLTAGE		
	±20V	±15V	±5V
1	OFF	OFF	ON
2	OFF	ON	OFF
3	ON	OFF	OFF
4	NOT USED		

SWITCH SWI  
 CAUTION: ONLY ONE SWITCH MUST BE ON FOR PROPER OPERATION OF THIS BOARD.

D CS 5414506-1-1 A

REV.	
CHANGE NO.	
CHK	

DRN M. Newman	10/28/81	FIRST USED ON	KL10	digital
CHK'D R. Cunniff	10/28/81	TITLE	VOLTAGE MONITOR BOARD	
ENG. X. Jones	10/28/81	PROJ. ENG.	11-6889	
PRODT. R. ...	11/01/81	NEXT HIGHER ASSY.		
B-CD-5414506-1	SIZE CODE	NUMBER	REV.	
SCALE NONE	D	CS 5414506-1-1	A	
SHEET 1	OF 1	DIST.		

MR 1



TITLE VOLTAGE MONITOR

J1-11 SENSE VOLTAGE RETURN  
J1-12 SENSE VOLTAGE RETURN

In addition, two printed circuit pads are provided for reset.

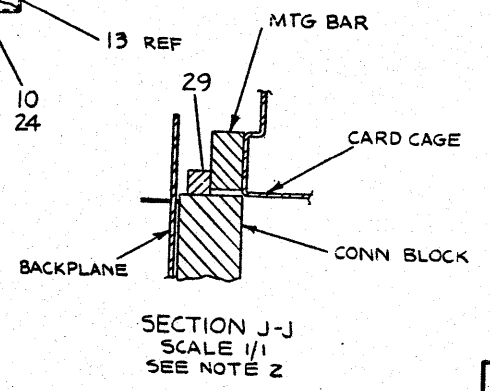
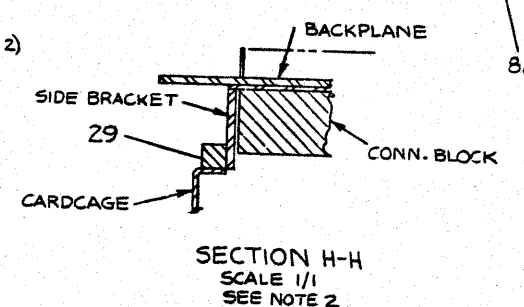
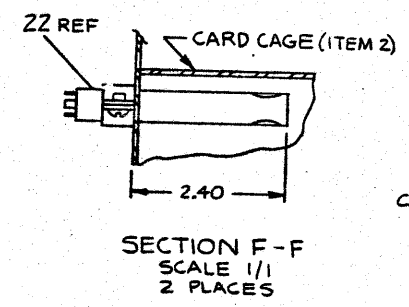
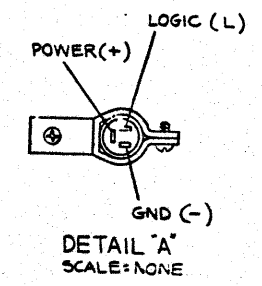
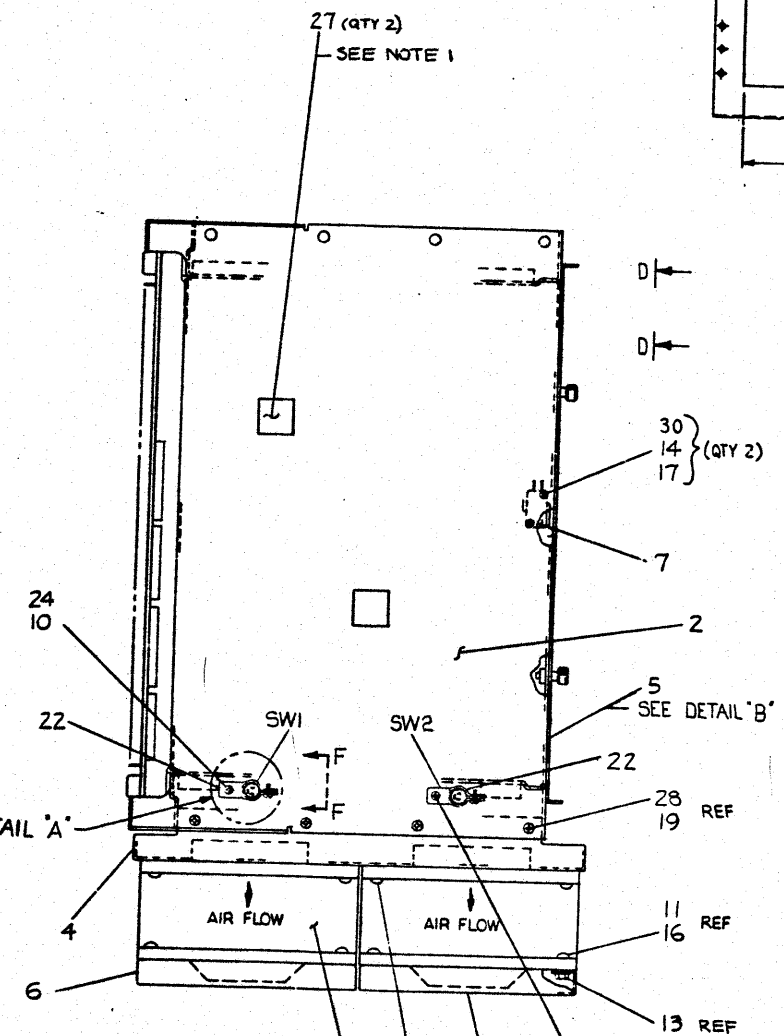
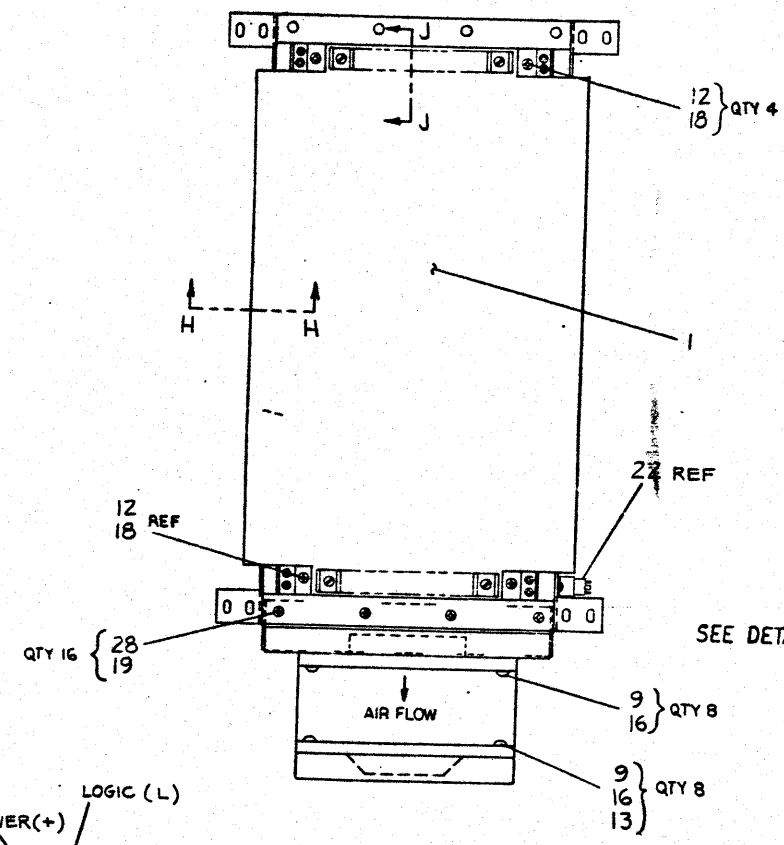
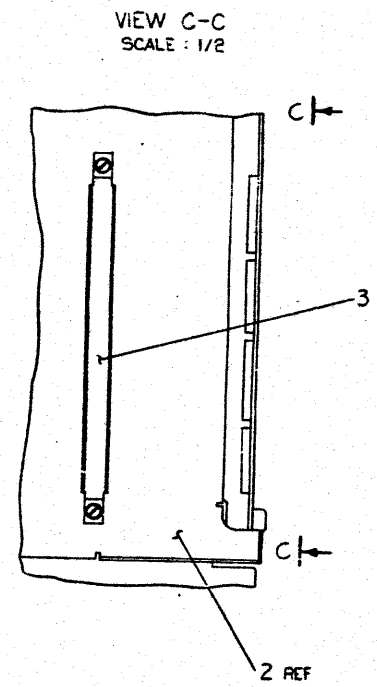
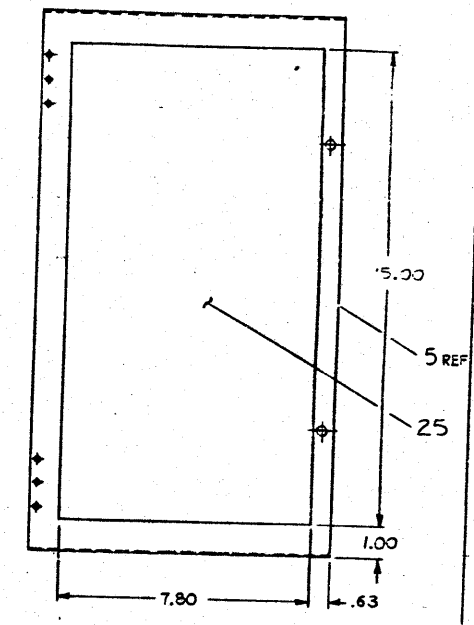
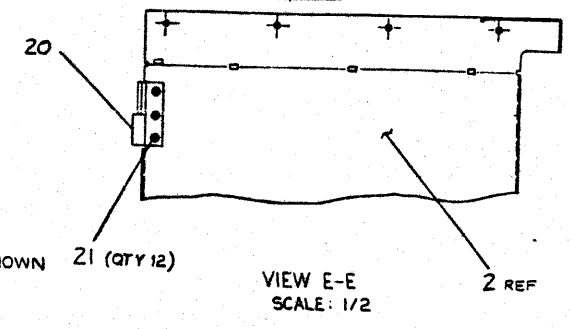
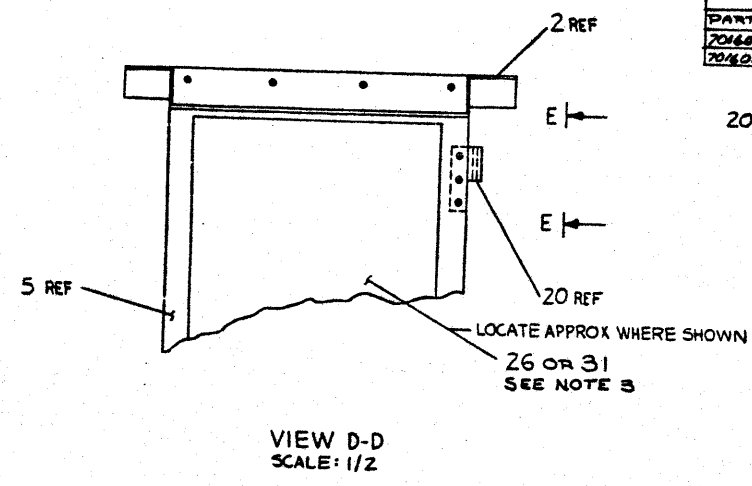
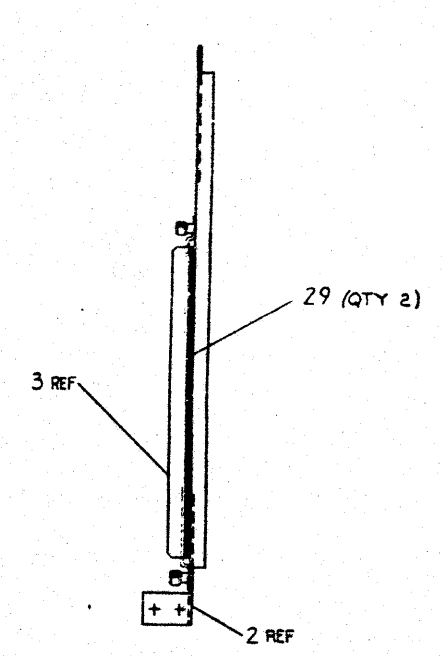
SIZE	CODE	NUMBER	REV
A	SP	5414506-1-2	A



NOT TO BE REPRODUCED OR TRANSMITTED IN ANY FORM OR BY ANY MEANS, WITHOUT EXPRESS PERMISSION OF THE MANUFACTURER OF THIS DOCUMENT.

LEGEND		
PART NO	VARIATION	REV
7016013-00	MF20	B1
7016013-01	MS20	A1

- NOTES:**
1. LOCATE ADHESIVE BACKED MOUNT (ITEM 27) APPROX. WHERE SHOWN.
  2. INSTALL FOAM TAPE (ITEM 29) ON ALL FOUR SIDES OF WIRED ASSY (ITEM 1), TO SEAL CARD CAGE FROM AIR LEAKS.
  3. FOR:  $-0.05$  VARIATION, USE ITEM 26.  
 $-0.1$  VARIATION, USE ITEM 31.



**CAUTION:**  
OFF SHEET PARTS LIST  
EXIST B-PL-7016013-J-0

REV	DATE	BY	CHKD	APP'D	DESCRIPTION
1		J. MEELY			INITIAL DESIGN
2		P. LAWRENCE			REVISED FOR MANUFACTURE
3		BOB ECHMANN			REVISED FOR MANUFACTURE

THIRD ANGLE PROJECTION		DESCRIPTION		DWG PART NO.		ITEM NO.	
DRN	CHKD	CLASS OF ACCURACY	UNLESS OTHERWISE SPECIFIED DIMENSIONS ARE IN INCHES	7016013-00	MF20	01	1
ENGR	ENGR	CLASS OF ACCURACY	UNLESS OTHERWISE SPECIFIED DIMENSIONS ARE IN INCHES	7016013-00	MF20	01	1
PROJ ENGR	PROJ ENGR	CLASS OF ACCURACY	UNLESS OTHERWISE SPECIFIED DIMENSIONS ARE IN INCHES	7016013-00	MF20	01	1
PROD ENGR	PROD ENGR	CLASS OF ACCURACY	UNLESS OTHERWISE SPECIFIED DIMENSIONS ARE IN INCHES	7016013-00	MF20	01	1
DO NOT SCALE DWG	DO NOT SCALE DWG	CLASS OF ACCURACY	UNLESS OTHERWISE SPECIFIED DIMENSIONS ARE IN INCHES	7016013-00	MF20	01	1
MATERIAL SEE PARTS LIST	MATERIAL SEE PARTS LIST	CLASS OF ACCURACY	UNLESS OTHERWISE SPECIFIED DIMENSIONS ARE IN INCHES	7016013-00	MF20	01	1
SCALE 1/2	SCALE 1/2	CLASS OF ACCURACY	UNLESS OTHERWISE SPECIFIED DIMENSIONS ARE IN INCHES	7016013-00	MF20	01	1
SIZE 100	SIZE 100	CLASS OF ACCURACY	UNLESS OTHERWISE SPECIFIED DIMENSIONS ARE IN INCHES	7016013-00	MF20	01	1
NUMBER	NUMBER	CLASS OF ACCURACY	UNLESS OTHERWISE SPECIFIED DIMENSIONS ARE IN INCHES	7016013-00	MF20	01	1
REV.	REV.	CLASS OF ACCURACY	UNLESS OTHERWISE SPECIFIED DIMENSIONS ARE IN INCHES	7016013-00	MF20	01	1

AUTOMATED BY PRTLST.5R(55)

PARTS LIST

SHEET A1 OF A2

LINE	ITEM	TOP DOCUMENT	PART NUMBER	MIN REV	DESCRIPTION	VARIATION	
						00	01
1	1	E-AD-7014358-0-0	7014358-00		WIRED ASSY-MF20	1	1
2	2	E-IA-7014127-0-0	7014127-00		WELDMENT, CARD CAGE	1	1
3	3	C-IA-7419820-0-0	7419820-00		CABLE CLAMPS	1	1
4	4	D-IA-7420668-0-0	7420668-00		MOUNT, FAN	1	1
5	5	D-IA-7419083-0-0	7419083-00		PANEL FRONT DOOR	1	1
6	6	D-IA-7012686-0-0	7012686-00		FINGER GUARD	2	2
7	7		1210755-00		SW, LEVER 1PST 11A277VAC	1	1
8	8		1211747-00		FAN, TUBE AXIAL 7.0" 350CFM 115V	2	2
9	9		9006075-01		SCREW, MACH PAN PHIL 10-	16	16
10	10		9006022-01		SCREW, MACH PAN PHIL 6-	2	2
11	11		9006074-01		*** THIS ITEM IS NOT USED ***	-	-
12	12		9006074-03		SCREW, MACH TRUSS PHIL 10-	4	4
13	13		9007786-00		RETAINER, U-NUT 10-32X	8	8
14	14		9006557-00		NUT, HEX EXT TOOTH LCKWSHR 4-40	2	2
15	15		9006013-01		*** THIS ITEM IS NOT USED ***	-	-
16	16		9006635-00		WASHER, LOCK INTERNAL STEEL	16	16
17	17		9006632-00		WASHER, LOCK INTERNAL STEEL	2	2
18	18		9007651-00		WASHER, LOCK EXTERNAL STEEL	4	4
19	19		9006634-00		WASHER, LOCK INTERNAL STEEL	16	16
20	20	B-MD-7420769-0-0	7420769-00		HINGE, SLIP R.H. (REWORK)	2	2
21	21		9006458-00		RIVET, BLIND DOME 0.125DX0.275	12	12
22	22		1215413-00		SW, SOLID STATE VANE	2	2
23	23		9007834-00		*** THIS ITEM IS NOT USED ***	-	-
24	24		9006633-00		WASHER, LOCK INTERNAL STEEL	2	2
25	25		9008479-01		FOAM POLYURETHANE	A/R	A/R
26	26		3615747-00		LABEL, ADHESIVE BACK, MF20-L MODUL	1	-
27	27		9008264-00		MOUNT, CABLE TIE, ADHESIVE BACK	2	2
28	28		9006037-03		SCREW, MACH TRUSS PHIL 8-	16	16
29	29		9008274-00		FOAM, TAPE 3/8" X 3/8" BLACK	A/R	A/R
30	30		9006014-01		SCREW, MACH PAN PHIL 4-	2	2

REVISION HISTORY			BASIC PART NO: 7016018			
ENGR	ECD NUMBER	REV	SECTION A OF A	DRM: BOB PELLERIN	DATE: 13-JUN-78	D I G I T A L
BE	7016018-MR01A	C	SECTION VARIATION INDEX	CHK'D: G. FLANDERS	DATE: 13-JUN-78	TITLE PARTS LIST
			CAJ00,01			CARD CAGE ASSY
			[B]	DES. ENG: J. MCELROY	DATE: 14-AUG-78	DOCUMENT NUMBER
			[C]			SIZE CODE NUMBER REV
			[D]	RESP. ENG.: J. MCELROY	DATE: 14-AUG-78	K PL 7016018-0-DBP C
			[E]			
			[F]	MPG. ENG.: L. QUARLES	DATE: 11-AUG-78	RELEASE DATE: 17-MAY-84
			ASSEMBLY NUMBER:	TOP DOCUMENT NUMBER:	FILE NAME:	EDIT #
			E-AD-7016018-0-0	E-AD-7016018-0-0	Z9010C.PLS	3

"THIS DRAWING AND THE SPECIFICATIONS CONTAINED HEREIN ARE CONFIDENTIAL AND PROPRIETARY. THEY ARE THE PROPERTY OF DIGITAL EQUIPMENT CORPORATION AND SHALL NOT BE REPRODUCED OR COPIED OR USED IN WHOLE OR IN PART AS THE BASIS FOR THE MANUFACTURE OR SALE OF ITEMS WITHOUT WRITTEN PERMISSION. THIS IS AN UNPUBLISHED WORK PROTECTED UNDER THE FEDERAL COPYRIGHT LAWS."

MRO

AUTOMATED BY PRTLST.5R(55)

PARTS LIST

SHEET A2 OF A2

LINE	ITEM	TOP DOCUMENT	PART NUMBER	MIN REV	DESCRIPTION	QTY	PER VARIATION
31	31		3615747-01		LABEL,MODULE REVISION HISTORY MG	-	1

D I G I T A L	TITLE	CARD CAGE ASSY	SECTION A OF A	SIZE/ CODE	DOCUMENT NUMBER	REV
				K PL	7016018-0-DBP	C

MRO